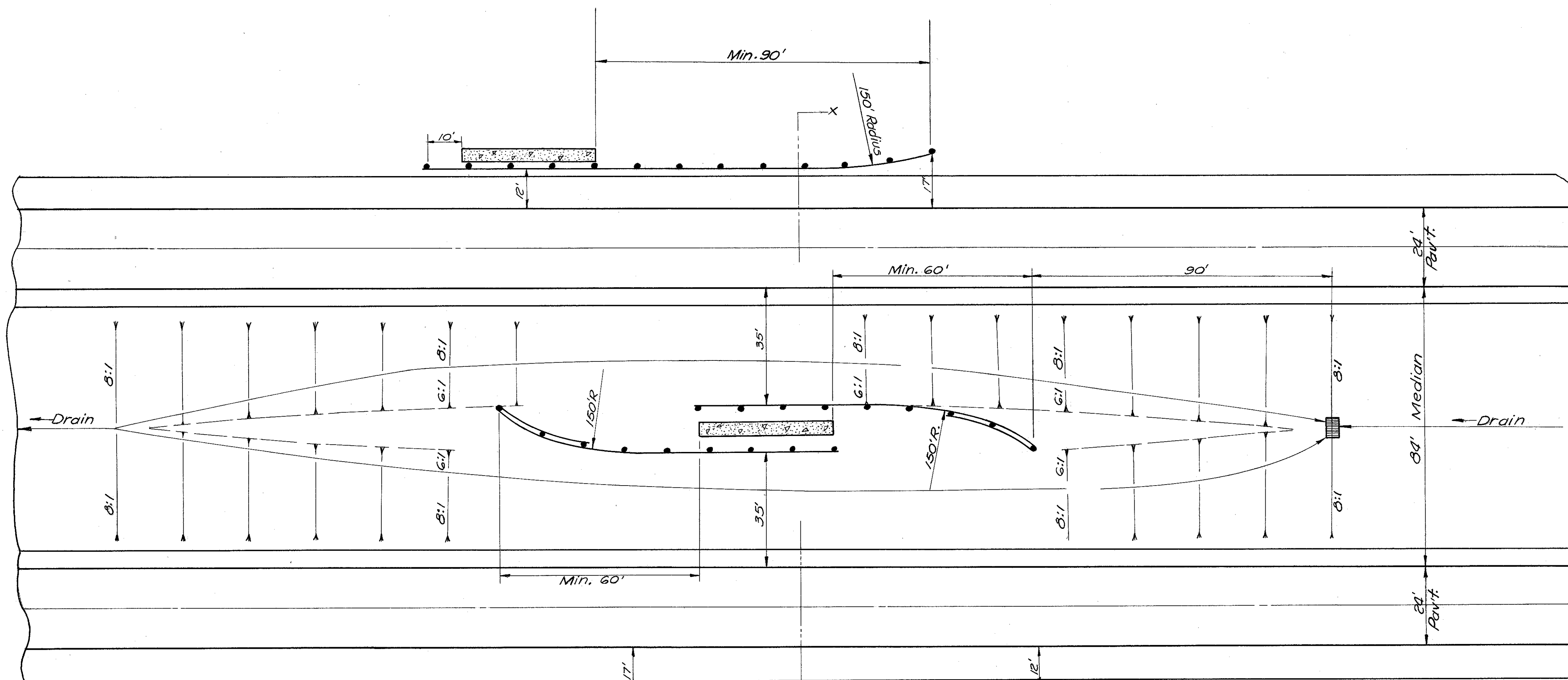


FED. RD. DIVISION	STATE	PROJECT	
2	OHIO	I-1103 (15)	

113
176

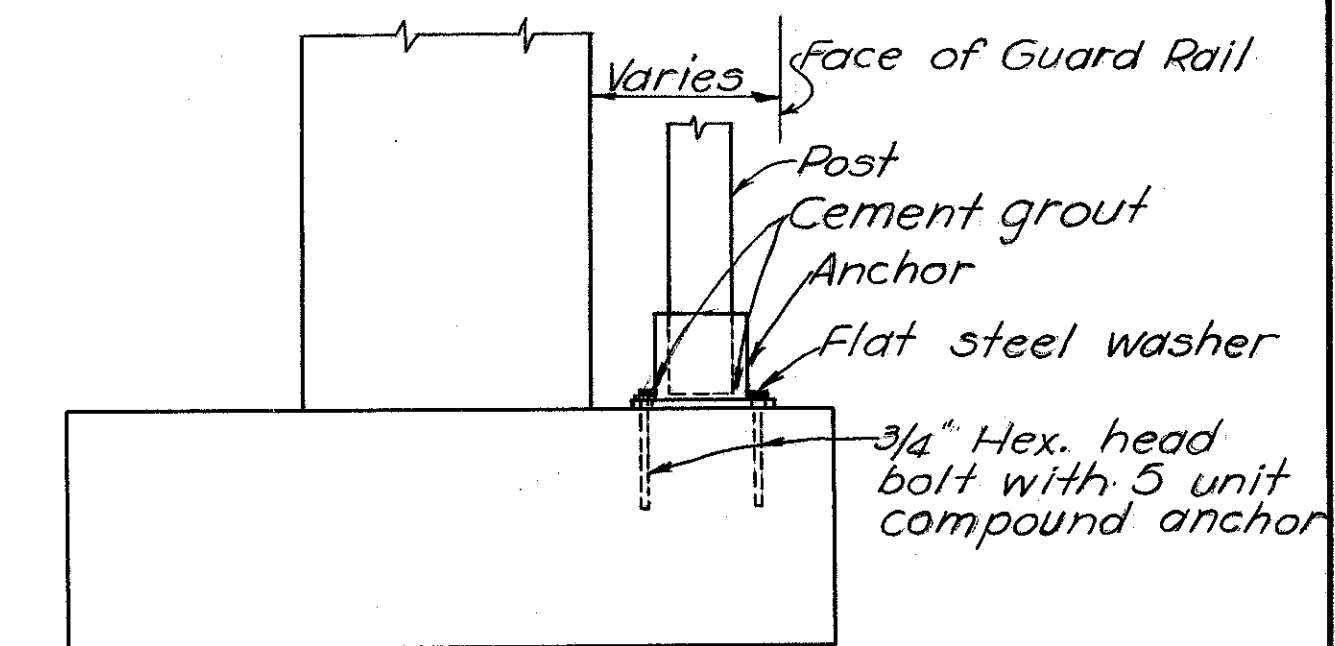
LAKE COUNTY
LAK-1-26.51
ASHTABULA COUNTY
ATB-1-0.00



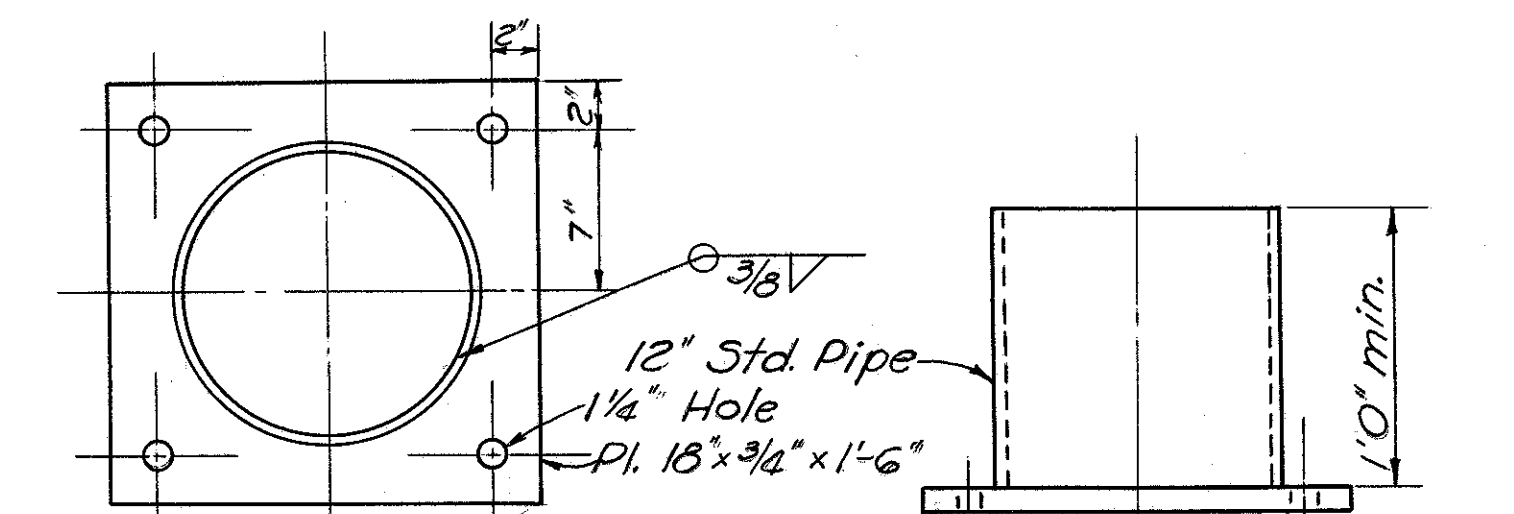
NOTE: Flares shown on outer rails should be used only if inslope is 8:1 or flatter. If inslope is steeper, use standard flares.

PLAN
Scale 1"=20'

GUARD RAIL POST TO FOOTING ANCHOR



FOOTING END VIEW

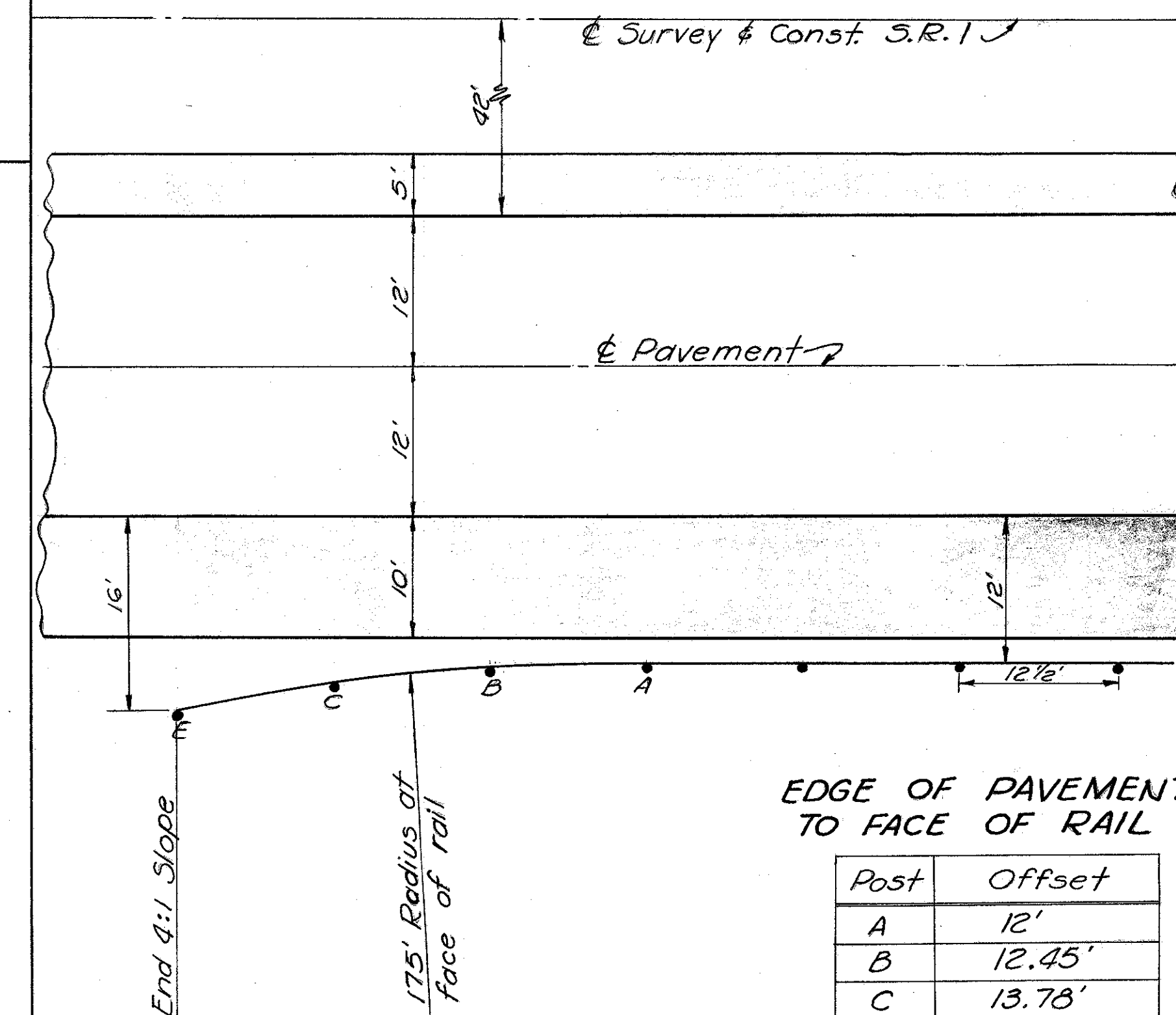


ANCHOR PLAN

ANCHOR ELEVATION

NOTE: Where posts fall over footings and less than 3'-0" of earth is provided above the top of footing, the above detail shall be used.

STANDARD FLARE DETAIL

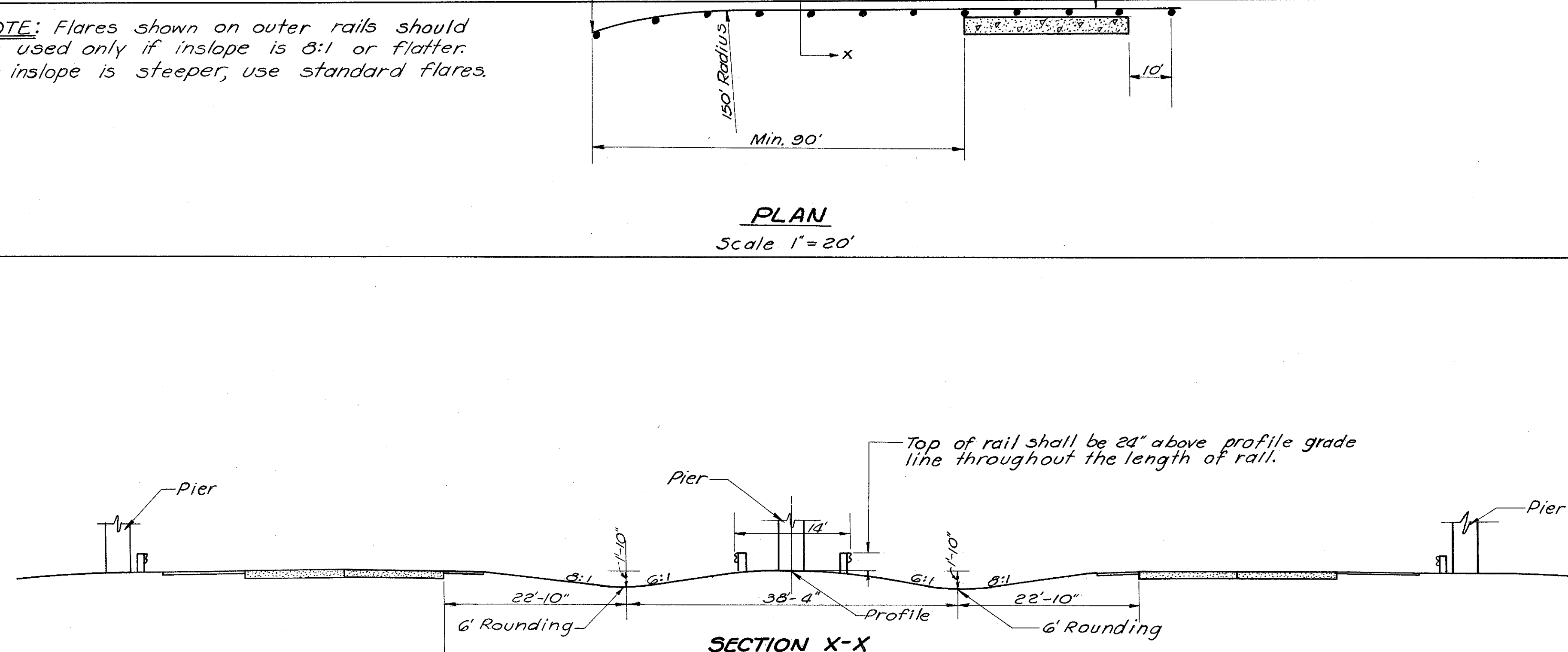


EDGE OF PAVEMENT TO FACE OF RAIL

Post	Offset
A	12'
B	12.45'
C	13.78'
E	16'

Scale 1"=10'

GUARD RAIL DETAILS



SECTION X-X
Scale 1"=10'

GUARD RAIL FOR BRIDGE PIER PROTECTION