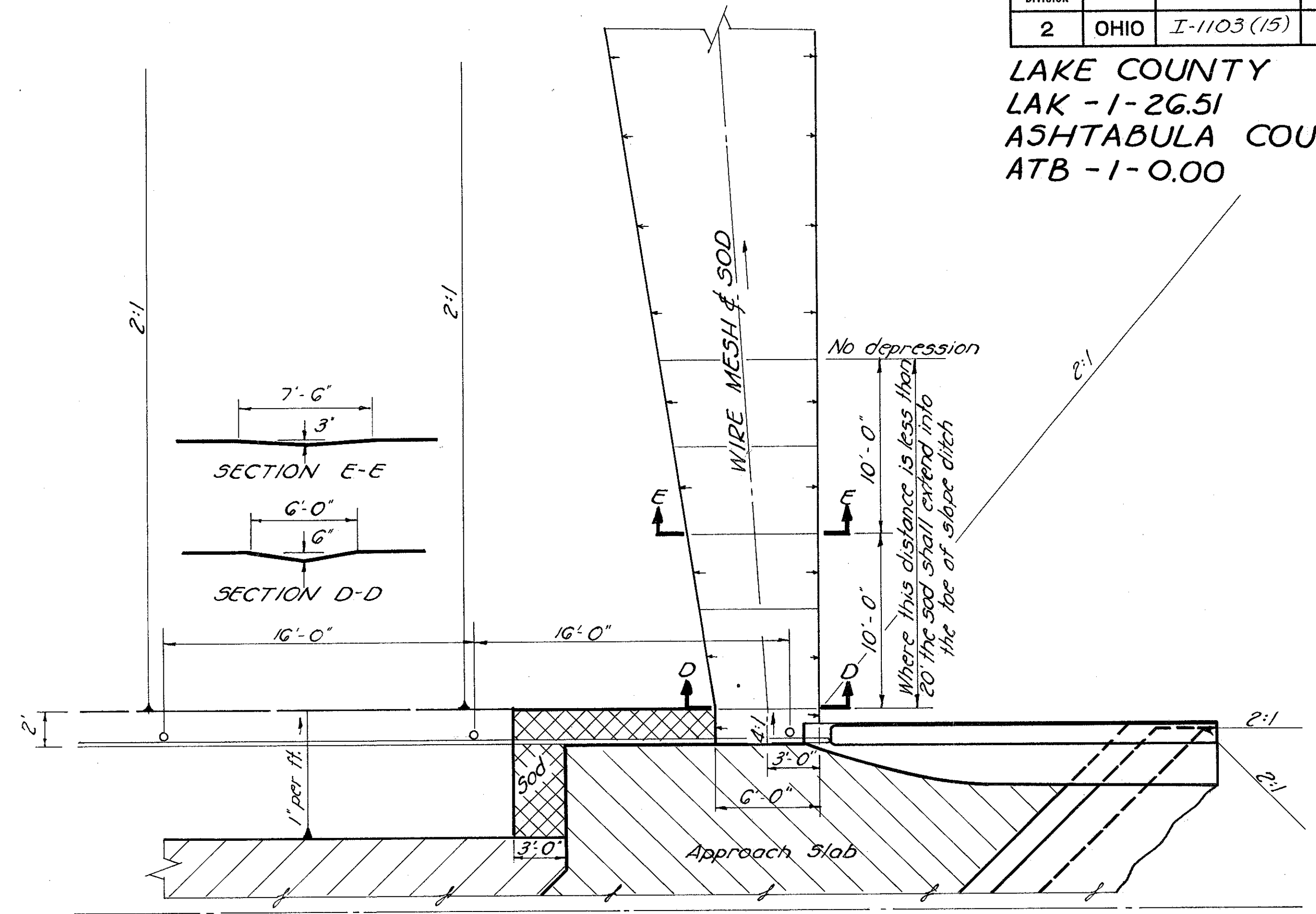


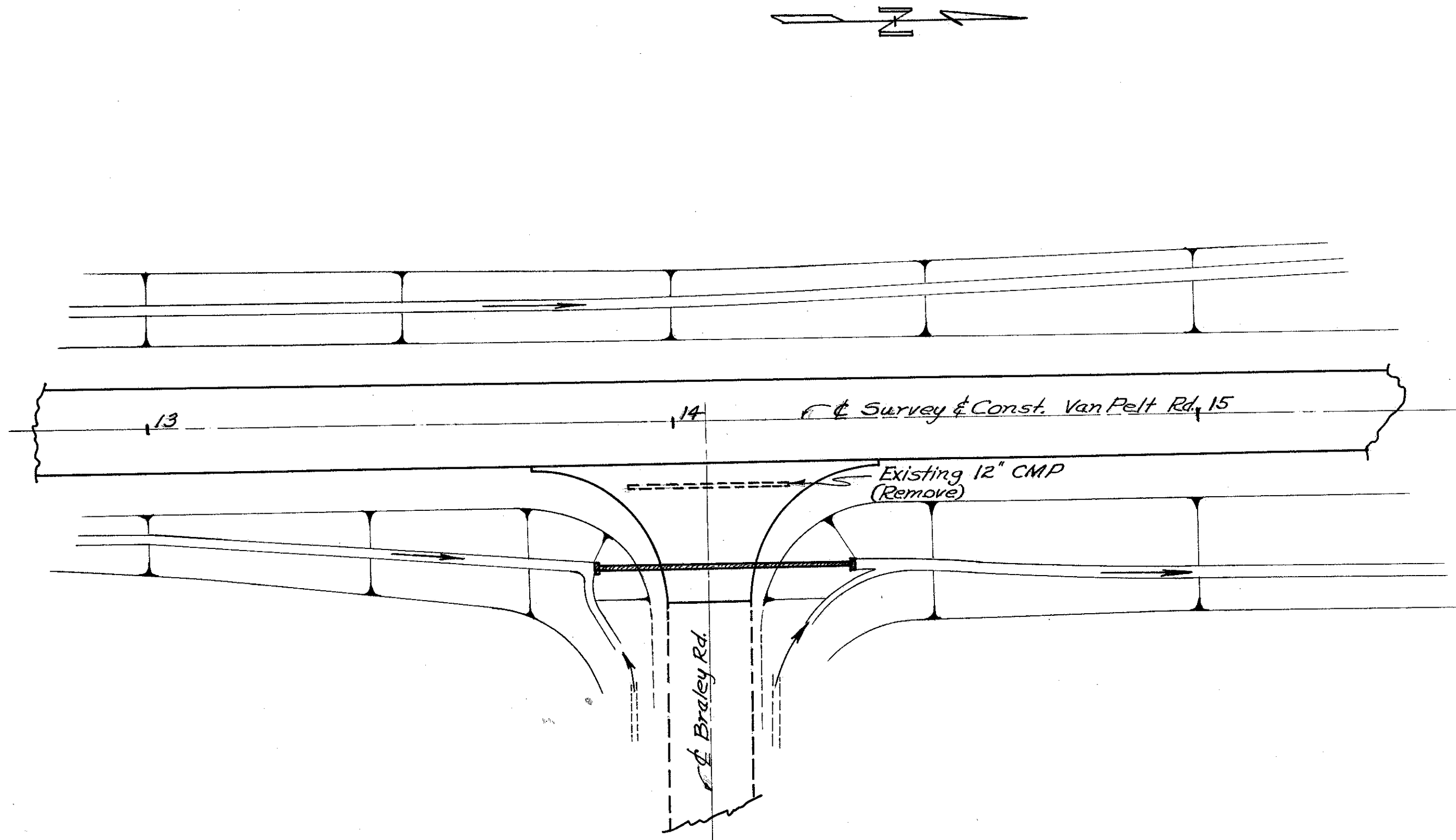
ESTIMATED QUANTITIES

Item	Description	Quantity	Unit
E-2	Excavation for Structures	2	Cu. Yds.
S-1	Concrete for Structures Class "E"	0.46	Cu. Yds.
S-24	Removal of existing Structures	Lump	Lump
S-27	12" Extra Strength Vitrified Sewer Pipe, Sec. M-6.8(b) or Standard Strength Reinforced Concrete Culvert Pipe, Sec. M-6.6(b)	50	Lin. Ft.

LAKE COUNTY
LAK -1-26.51
ASHTABULA COUNTY
ATB -1-0.00

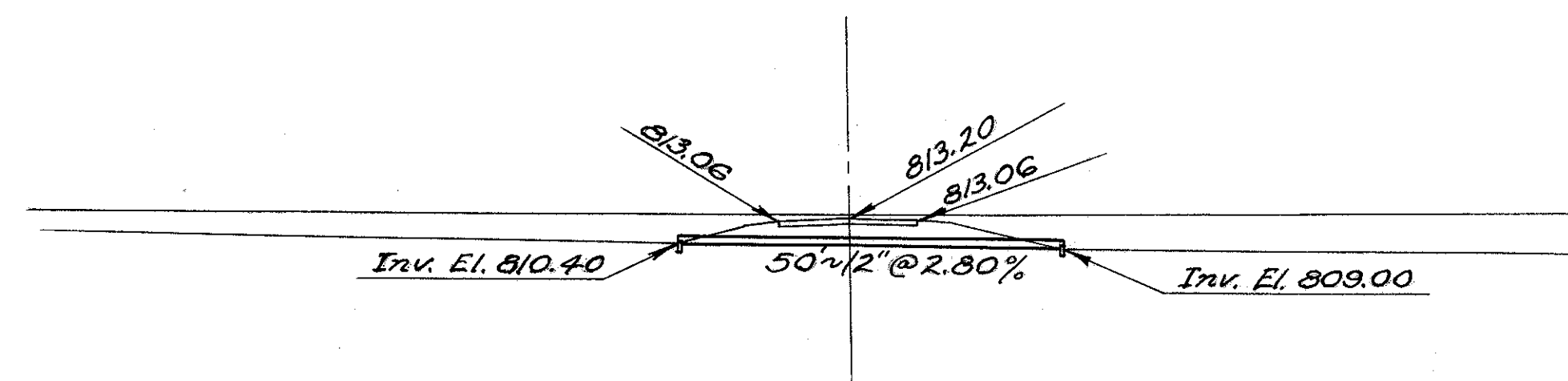


**TYPICAL APPROACH SLAB
EROSION CONTROL**



Scale: 1" = 20'

D.A. = 1 Ac.
Q₁₀ = 3 c.f.s.



NOTE: Endwalls per Std. Const.
Dwg. S-27 P.C. 4

**STRUCTURE No. 30
Van Pelt Rd.**

ESTIMATED QUANTITIES Sodding for Special Berm and Slope Protection

Location	North Approach	South Approach	Total
	Sq. Yds.	Sq. Yds.	
Bates Road	174	72	246
County Line Road	122	113	235
Van Pelt Road	205	117	322
Le Fever Road	229	127	356
Total			1159

SPECIAL BERM AND SLOPE PROTECTION

Prior to placement of sod in the berm and slope, galvanized poultry fence shall be placed on the finished grade in strands which shall be at right angles to the direction of flow. Each strand shall be staked securely on top and bottom with stakes spaced at four foot intervals and alternated in rows four feet apart.

Stakes shall be 1"x1"x8" wood stakes and shall be perpendicular to the ground and flush with the finished grade.

The fence shall be Straight Line Poultry Fence or equivalent with strand width of four feet, having a two inch mesh and all wires No. 20 gauge.

Each strand of fencing shall be fastened together at twelve inch intervals by means of hog rings.

The fence shall be secured to the wood stakes by metal staples.

Sod shall be laid in accordance with Construction and Materials specifications Section L-10.07.