

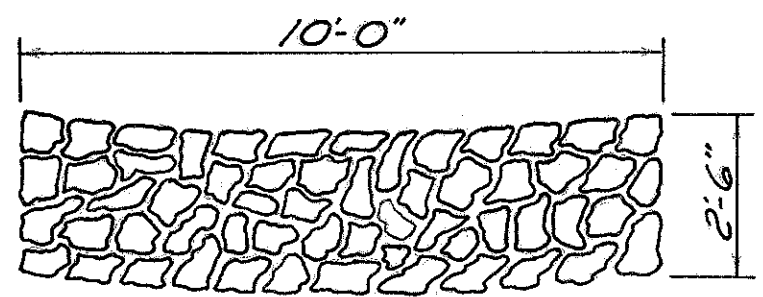
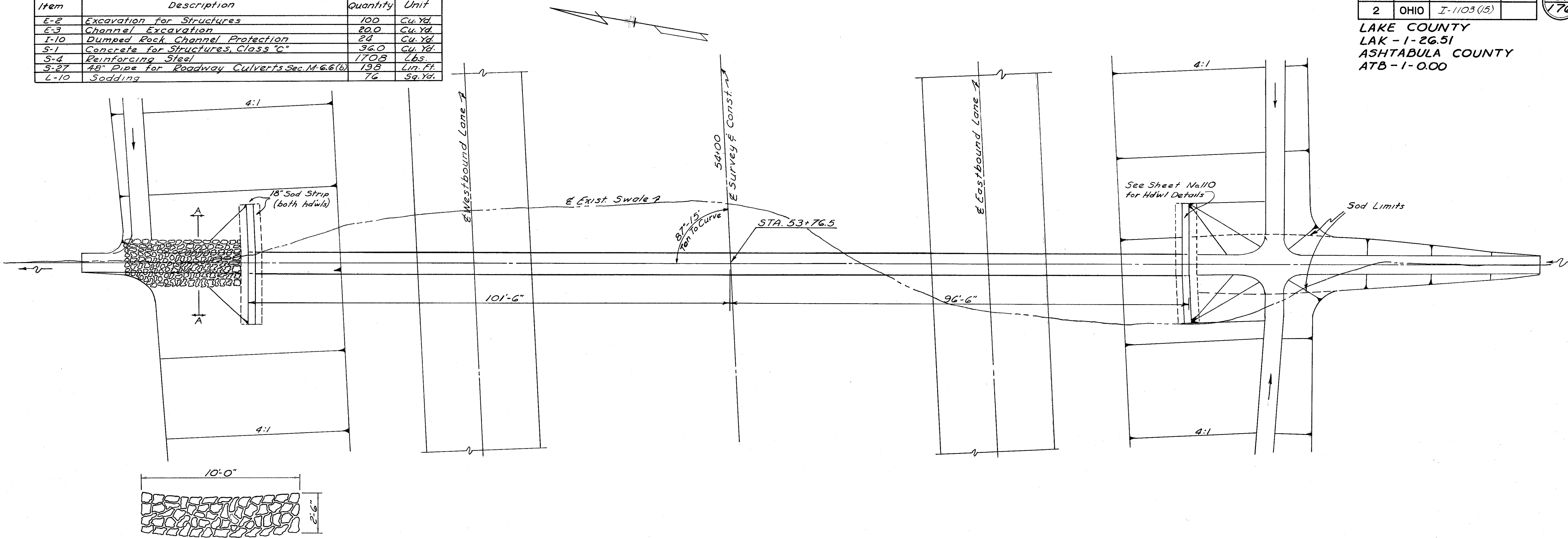
ESTIMATED QUANTITIES

Item	Description	Quantity	Unit
E-2	Excavation for Structures	100	Cu. Yd.
E-3	Channel Excavation	20.0	Cu. Yd.
I-10	Dumped Rock Channel Protection	24	Cu. Yd.
S-1	Concrete for Structures, Class "C"	36.0	Cu. Yd.
S-4	Reinforcing Steel	1708	Lbs.
S-27	48" Pipe for Roadway Culverts Sec. M-6.6(b)	198	Lin. Ft.
L-10	Sodding	76	Sq. Yd.

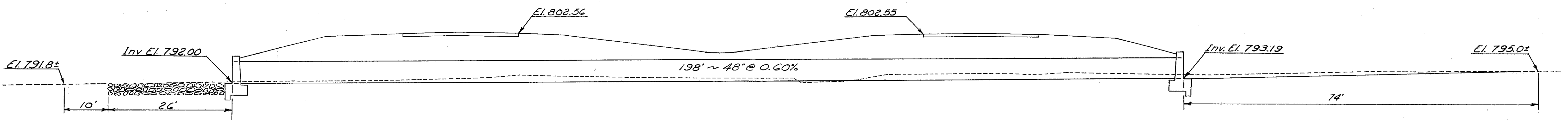
FED. RD. DIVISION	STATE	PROJECT
2	OHIO	I-1103 (15)

101
176

LAKE COUNTY
LAK - 1 - 26.51
ASHTABULA COUNTY
ATB - 1 - 0.00



SECTION A-A



Scale 1"=10'

DA = 70 Ac.
Q₅₀ = 104 c.f.s.

STRUCTURE No. 25
Station 53+76.5 (ATB)