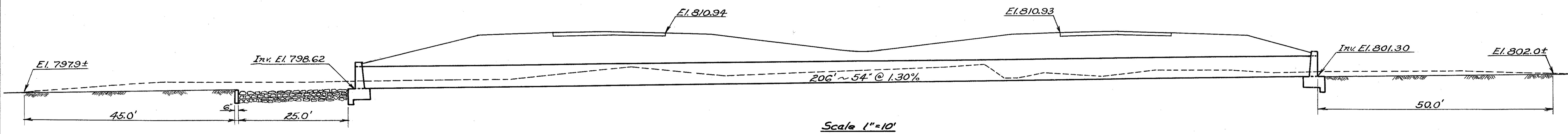
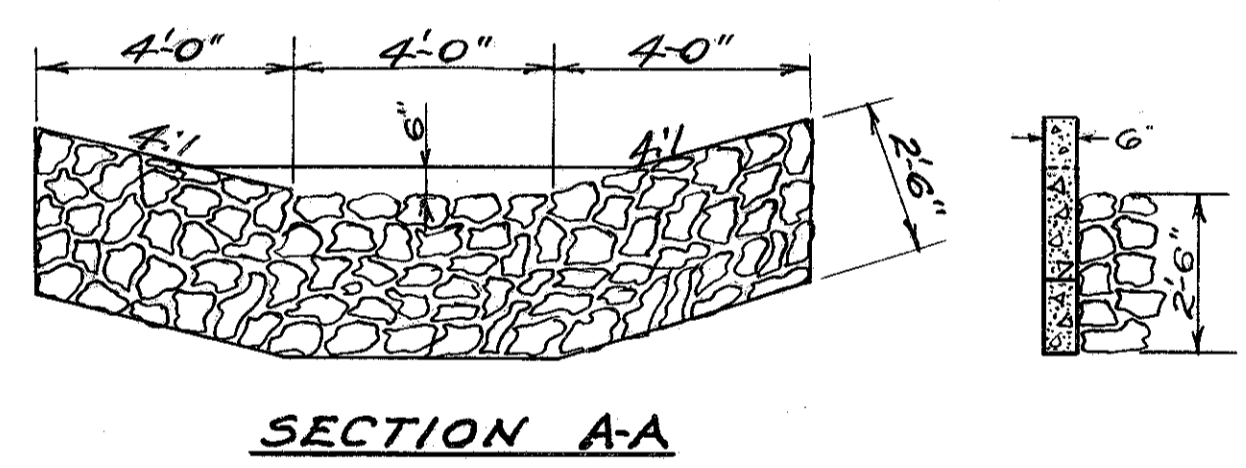
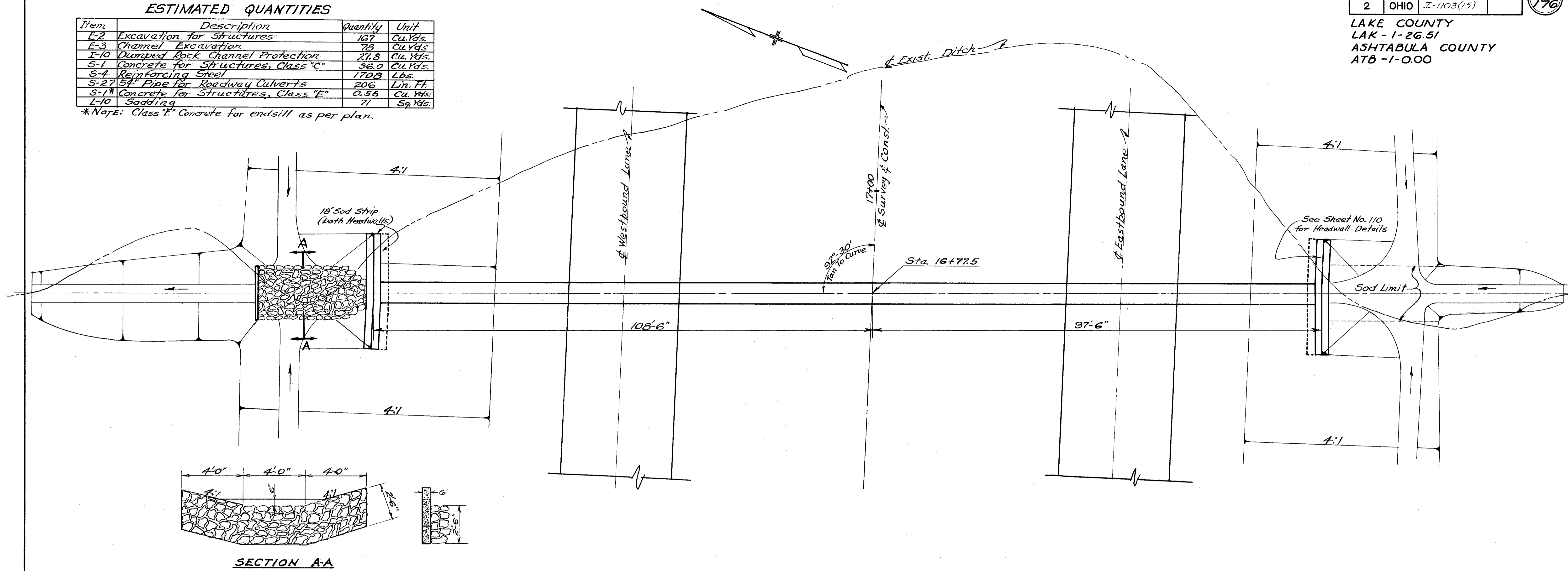


LAKE COUNTY
LAK - 1-26.51
ASHTABULA COUNTY
ATB - 1-0.00

ESTIMATED QUANTITIES

Item	Description	Quantity	Unit
E-2	Excavation for Structures	167	Cu. Yds.
E-3	Channel Excavation	78	Cu. Yds.
I-10	Dumped Rock Channel Protection	27.8	Cu. Yds.
S-1	Concrete for Structures, Class "C"	36.0	Cu. Yds.
S-4	Reinforcing Steel	1708	Lbs.
S-27	54" Pipe for Roadway Culverts	206	Lin. Ft.
S-1*	Concrete for Structures, Class "E"	0.55	Cu. Yds.
I-10	Sodding	71	Sq. Yds.

*NOTE: Class "E" Concrete for endsill as per plan.



D.A. = 67 Ac.
Q₅₀ = 119 c.f.s.

STRUCTURE No. 22
STATION 16+77.5 (ASH)