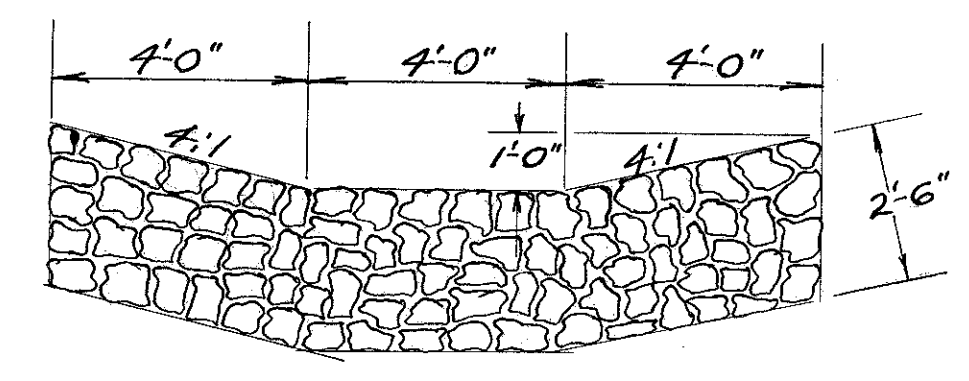
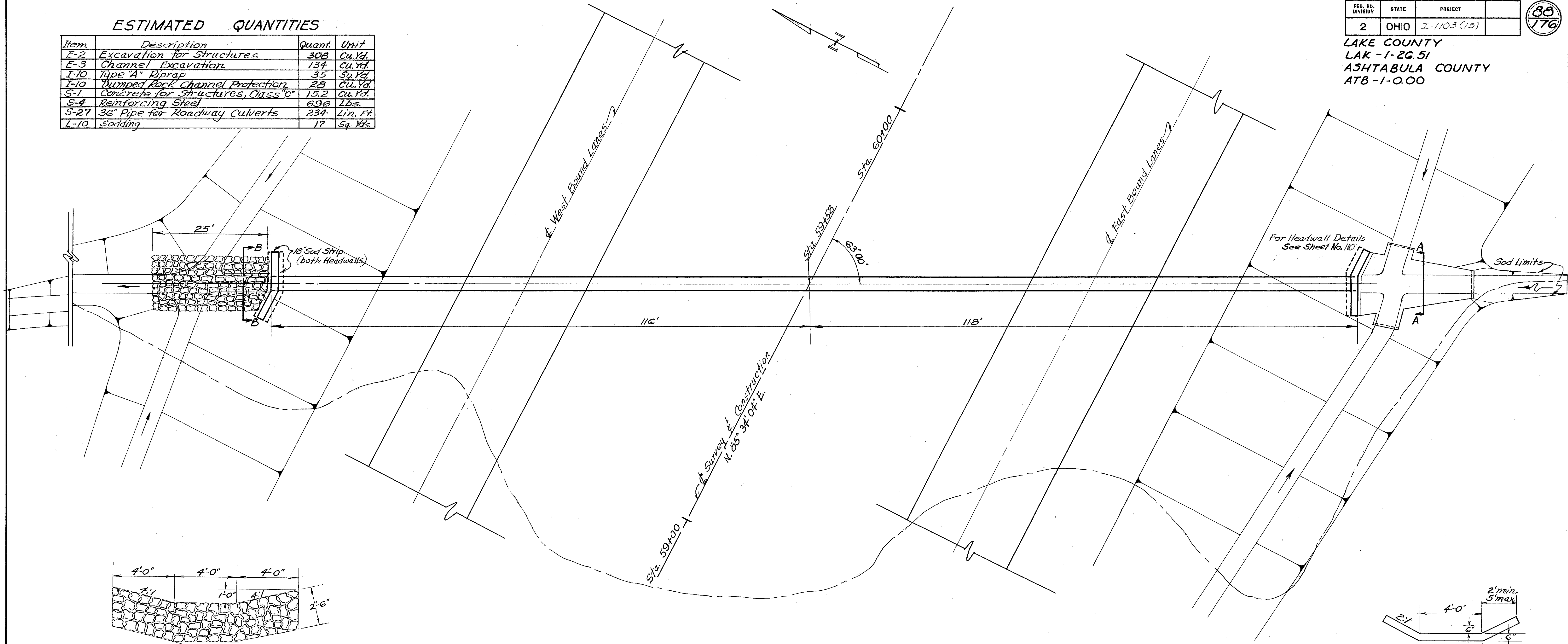


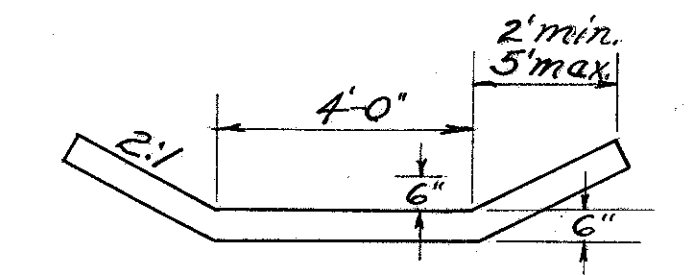
LAKE COUNTY
LAK -1-26.51
ASHTABULA COUNTY
ATB -1-0.00

ESTIMATED QUANTITIES

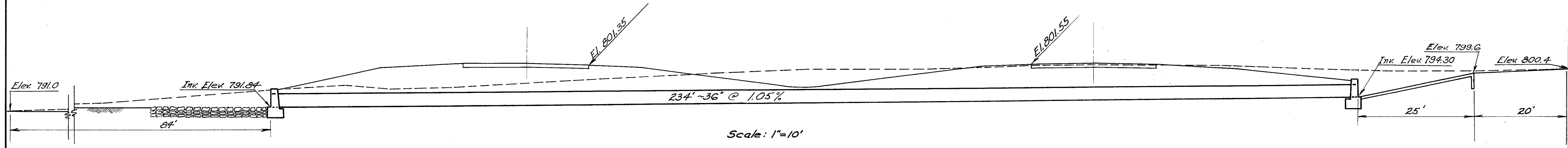
| Item | Description | Quant. | Unit |
|------|------------------------------------|--------|----------|
| E-2 | Excavation for Structures | 308 | Cu. Yd. |
| E-3 | Channel Excavation | 134 | Cu. Yd. |
| F-10 | Type "A" Riprap | 35 | Sq. Yd. |
| F-10 | Dumped Rock Channel Protection | 28 | Cu. Yd. |
| S-1 | Concrete for Structures, Class "C" | 15.2 | Cu. Yd. |
| S-4 | Reinforcing Steel | 696 | Lbs. |
| S-27 | 36" Pipe for Roadway Culverts | 234 | Lin. Ft. |
| L-10 | Sodding | 17 | Sq. Yds. |



SECTION B-B
DUMPED ROCK CHANNEL PROTECTION



SECTION AA
TYPE "A" RIPRAP



D.A. = 44 Ac.
Q₅₀ = 46 c.f.s.

STRUCTURE No. 11
Station 59+58 (LAK)