

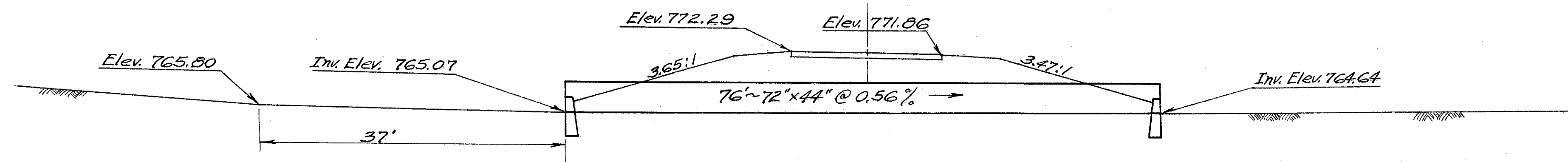
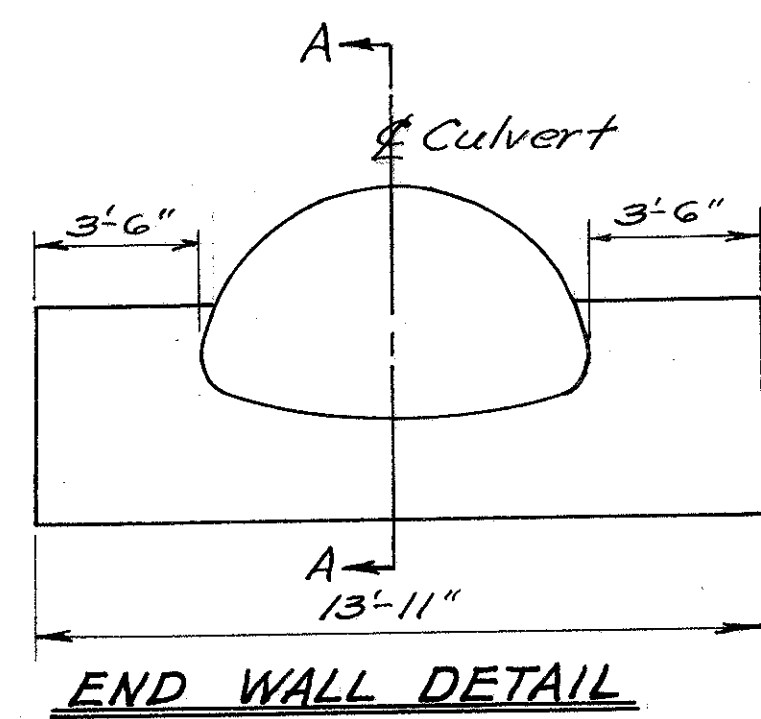
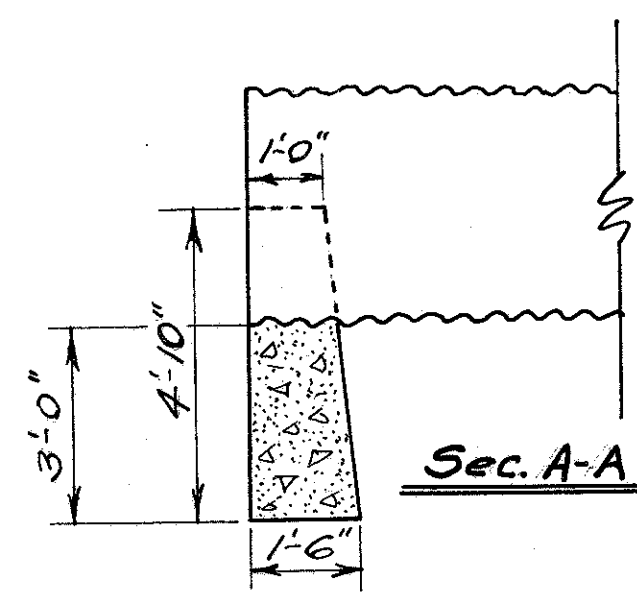
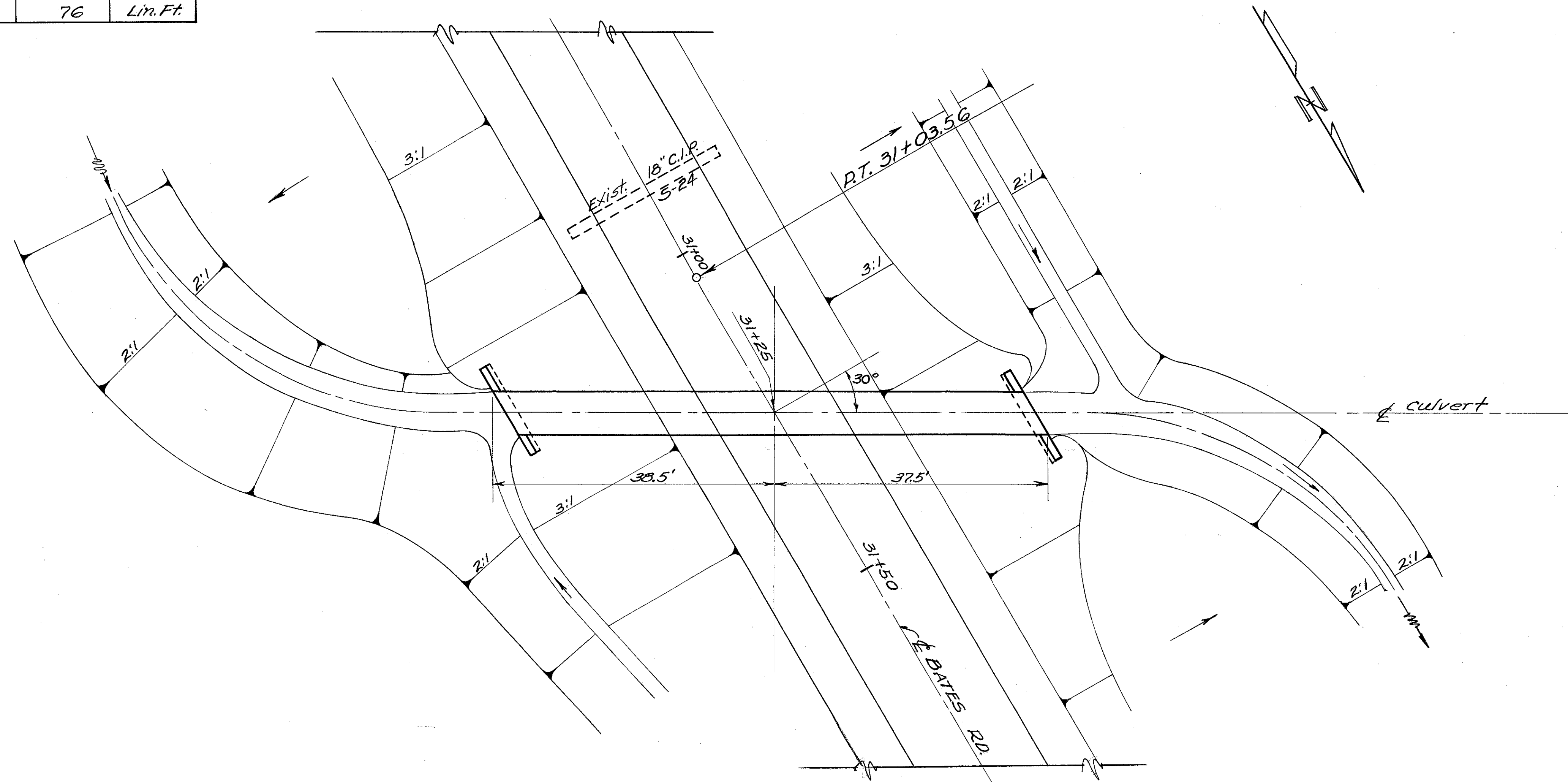
ESTIMATED QUANTITIES

Item	Description	Quantity	Unit
E-2	Excavation for Structures	117	Cu.Yds.
S-1	Concrete for Structures, Class "E"	548	Cu.Yds.
S-24	Removal of Existing Structures	Lump	Sum
S-27	72"x44" No. 8 Gage Paved Bituminous Coated Corrugated Metal Arch with Integral Base Sec. M-6.4.(d) f(2)	76	Lin. Ft.

FED. RD. DIVISION	STATE	PROJECT
2	OHIO	I-1103 (15)

86
176

LAKE COUNTY
LAK-1-26.51
ASHTABULA COUNTY
ATB-1-0.00



Scale: 1" = 10'

D.A. = 40 AC
Q₁₀ = 59 cfs.

STRUCTURE N^o 9
ON BATES RD.
STA. 31+25