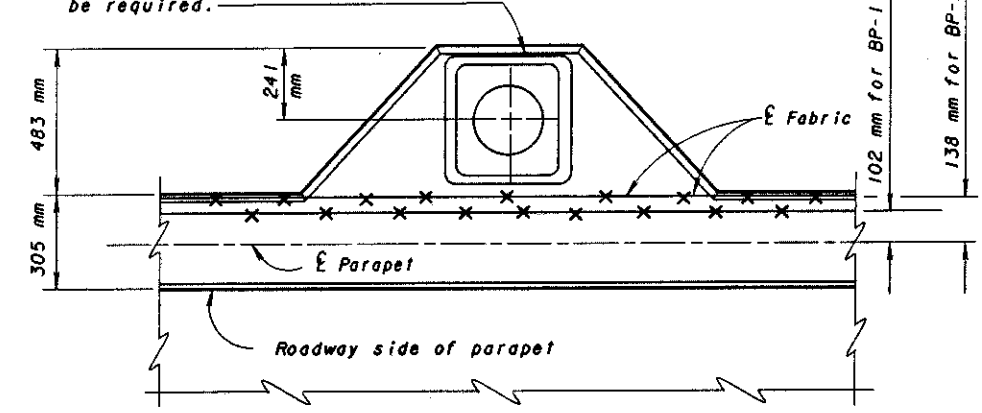


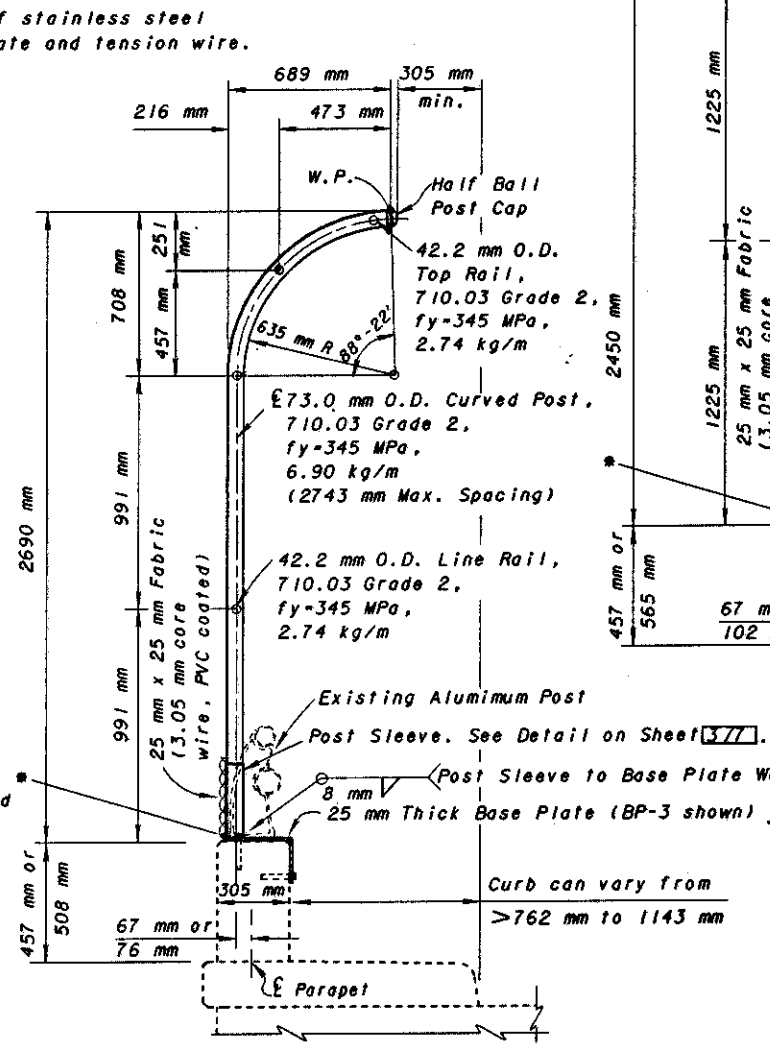
POST SECTION PS-1
(3650 mm CURVED FENCE)

Notes: For Post Sections PS-1 and PS-2, see project plans for sidewalk, parapet and fence post dimensions. Begin fabric at Base Plate. (Maximum gap between fabric and concrete parapet = 25 mm)

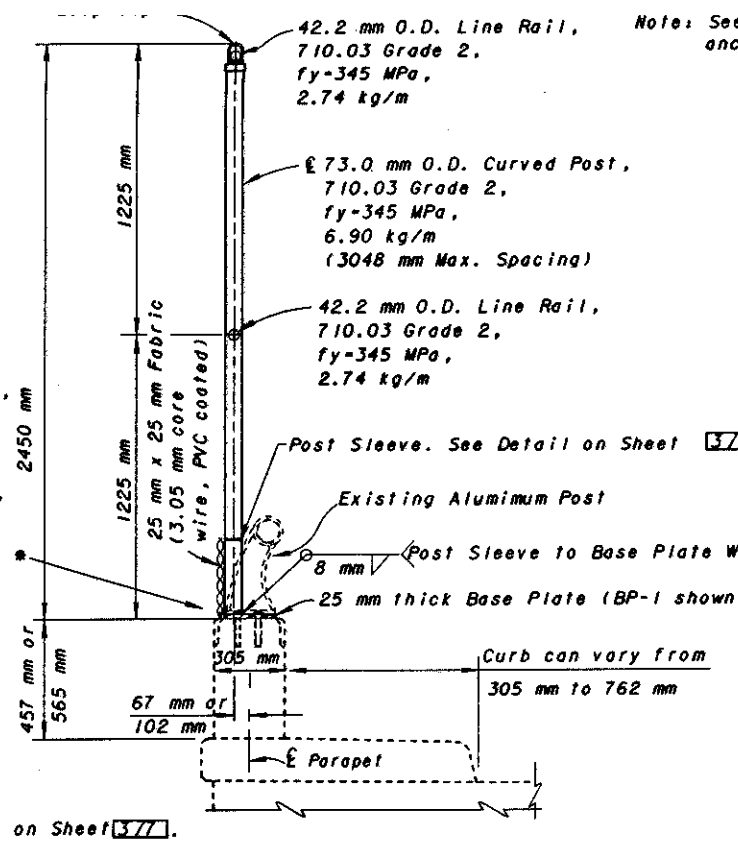
Light pole transformer base, 406 mm square. For additional details see Std. Drwgs. HL-10.13 and HL-20.14. If base exceeds 406 mm square, a special fence design may be required.



FENCE DETAILS AT TYPICAL LIGHT POLE PILASTER
(EXISTING ALUMINUM RAIL(S) NOT SHOWN)

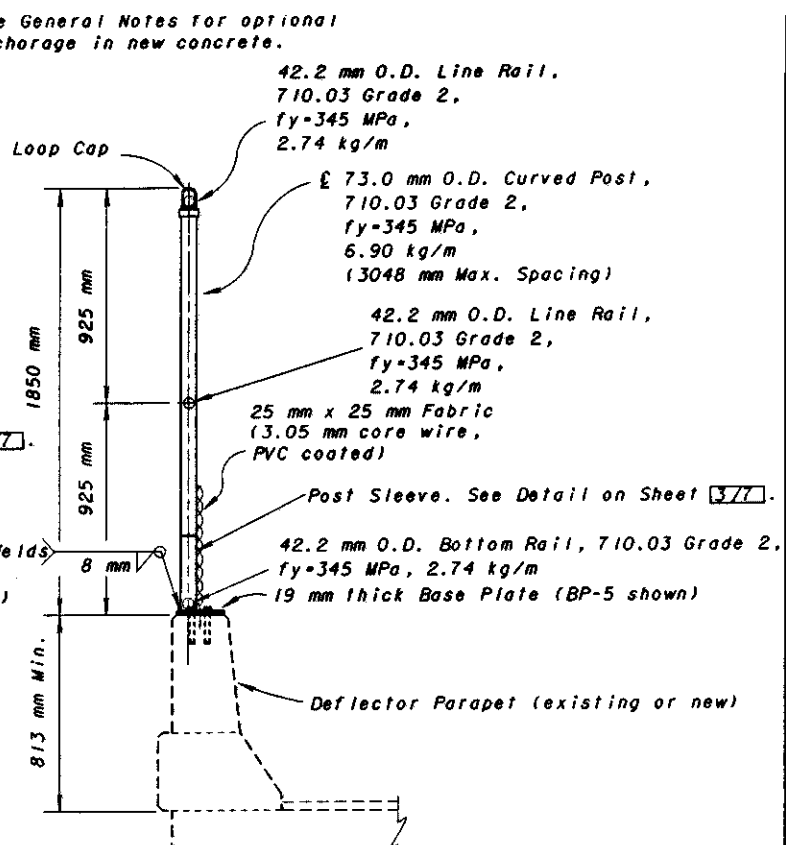


POST SECTION PS-2
(3050 mm CURVED FENCE)

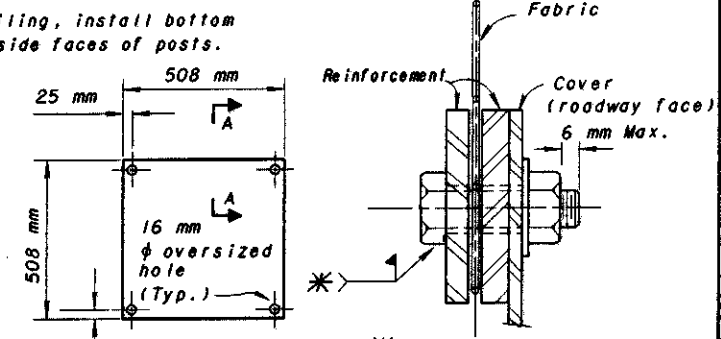


POST SECTION PS-3
(2450 mm STRAIGHT FENCE)

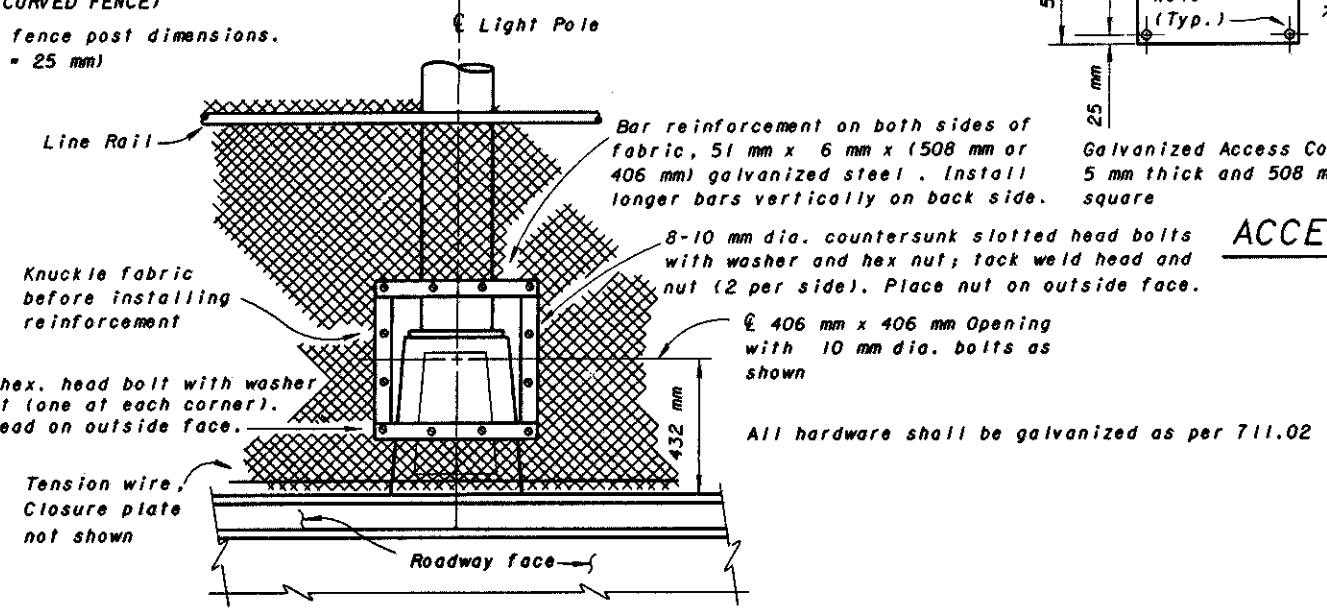
Note: For new parapet without aluminum railing, install bottom rail and locate fence fabric along inside faces of posts.



POST SECTION PS-4
(1850 mm STRAIGHT FENCE)



SECTION A-A
ACCESS COVER
(Showing corner bolt)



ACCESS OPENING AT LIGHT POLE
(COVER NOT SHOWN)

All hardware shall be galvanized as per 711.02

Note: See General Notes for optional anchorage in new concrete.

DESIGN AGENCY: BUREAU OF BRIDGES AND STRUCTURAL DESIGN
 STATE OF OHIO DEPARTMENT OF TRANSPORTATION
 DATE: 5-20-95
 ENGINEER OF BRIDGES: Richard L. Engel
 CHECKED: RLD WTF/LMW
 DRAWN: GFJ/RJS
 REVISED: JCR
 PREPARED: GFJ/RJS
 STANDARD DRAWING: VANDAL PROTECTION FENCE POST SECTIONS AND DETAILS
 5/7