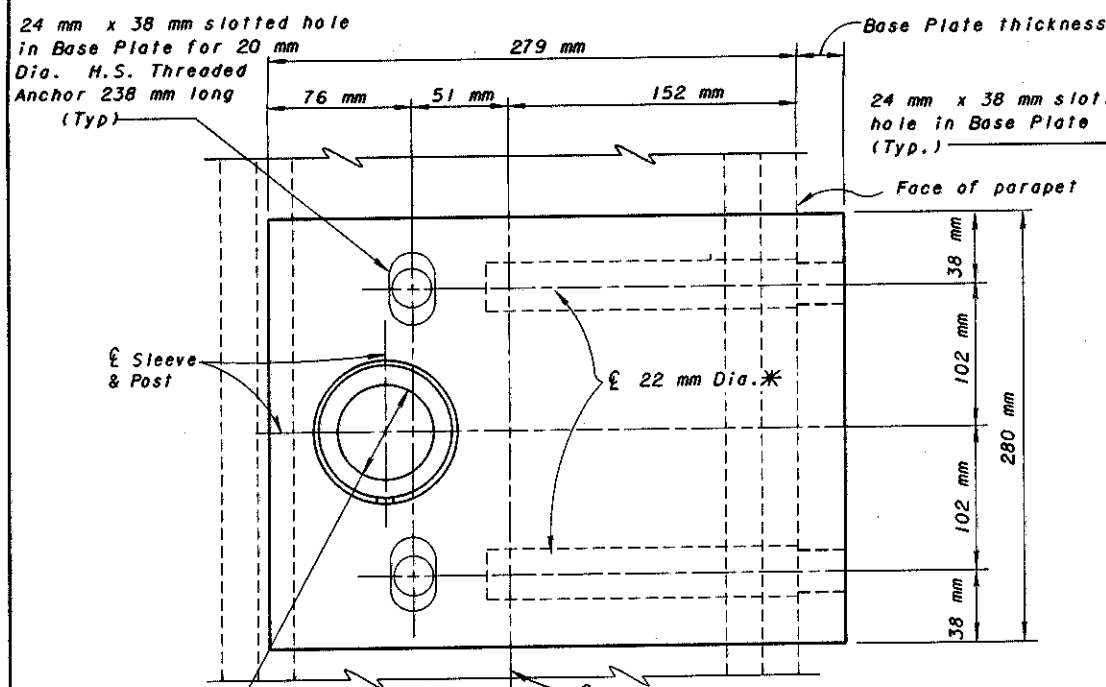


# RETROFIT BASE PLATES FOR FENCE POSTS



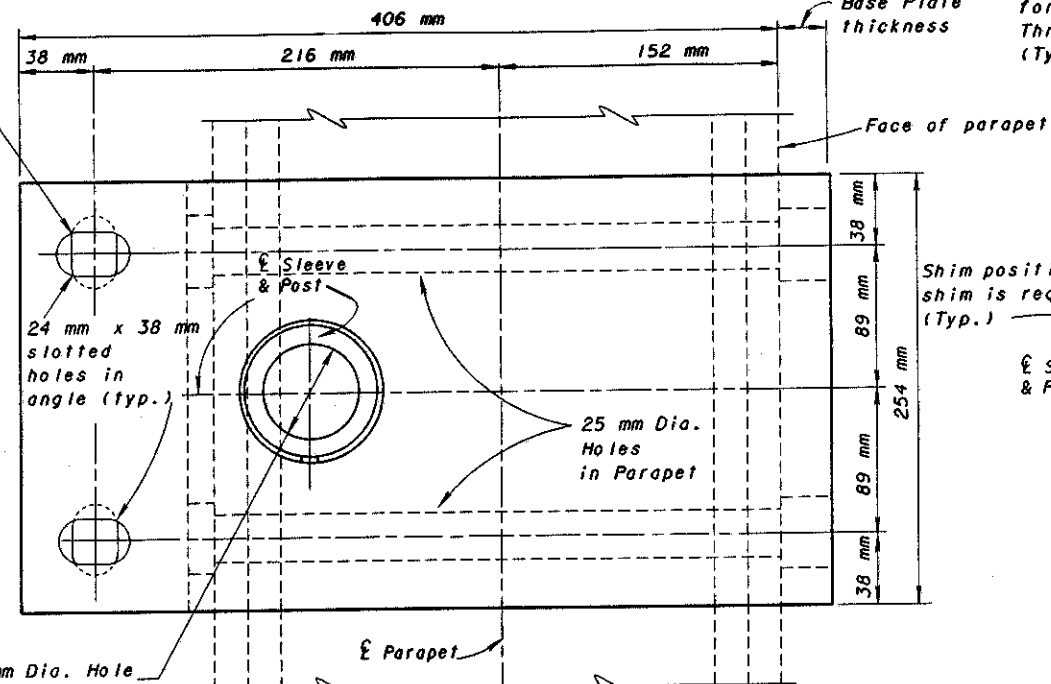
**PLAN BP-3**

SHIM POTIONS, POST AND SET SCREW NOT SHOWN

Note: Top rail for BR-1-65 Railing with Type 2 posts not shown.

50 mm Dia. Hole in Base Plate

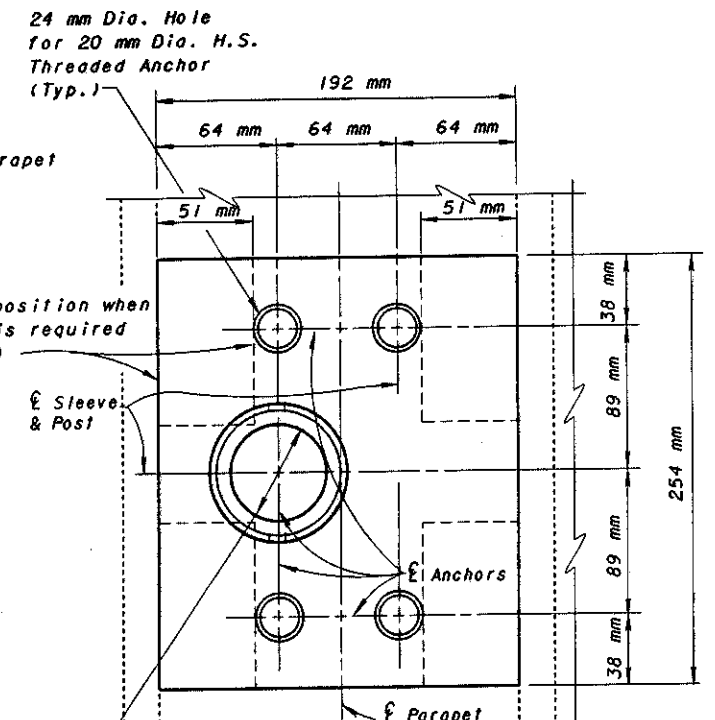
\* Holes for 20 mm Dia. Vinylster Flush Inserts (Inserts, Bolts and Washers & Rail not shown)



**PLAN BP-4**

SHIM POTIONS, POST AND SET SCREW NOT SHOWN

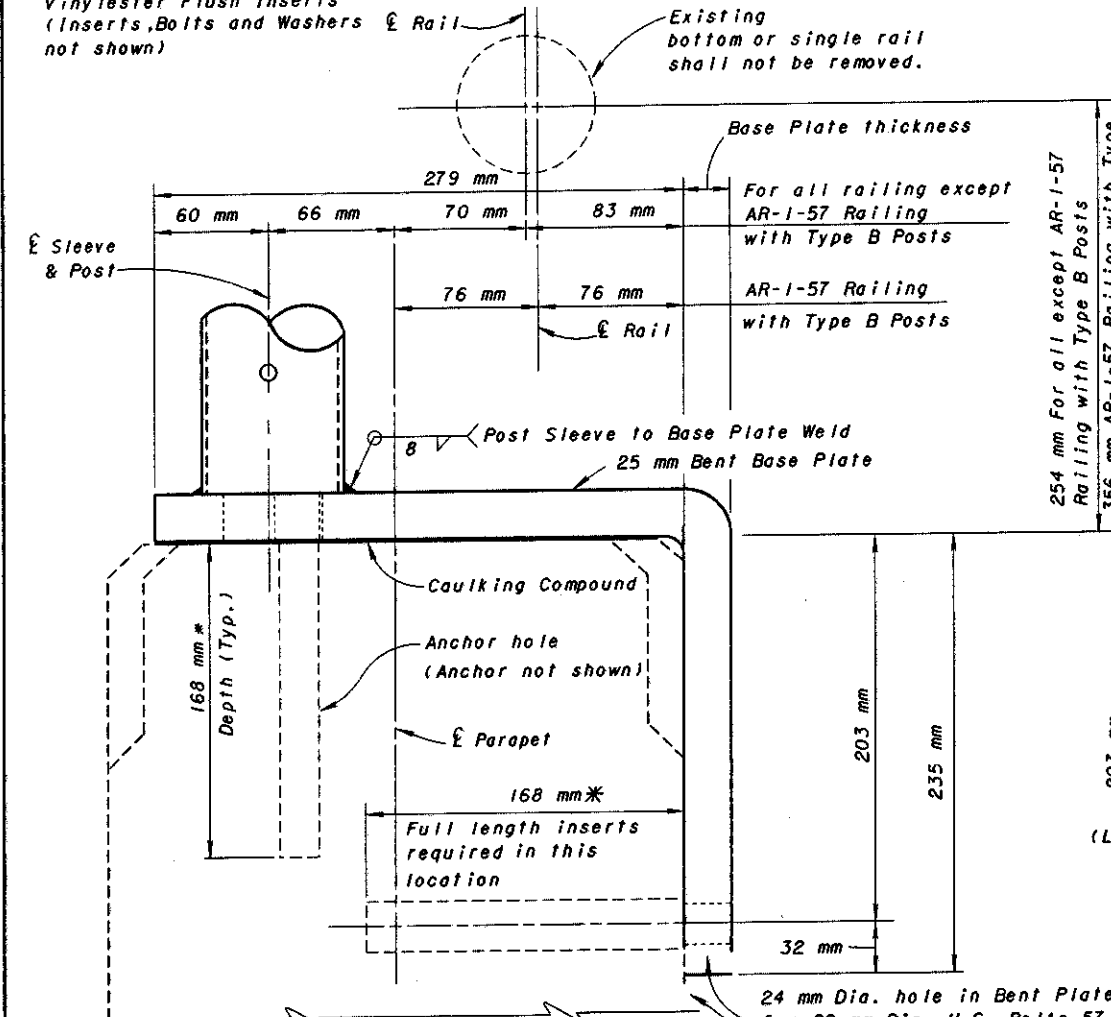
50 mm Dia. Hole in Base Plate



**PLAN BP-5**

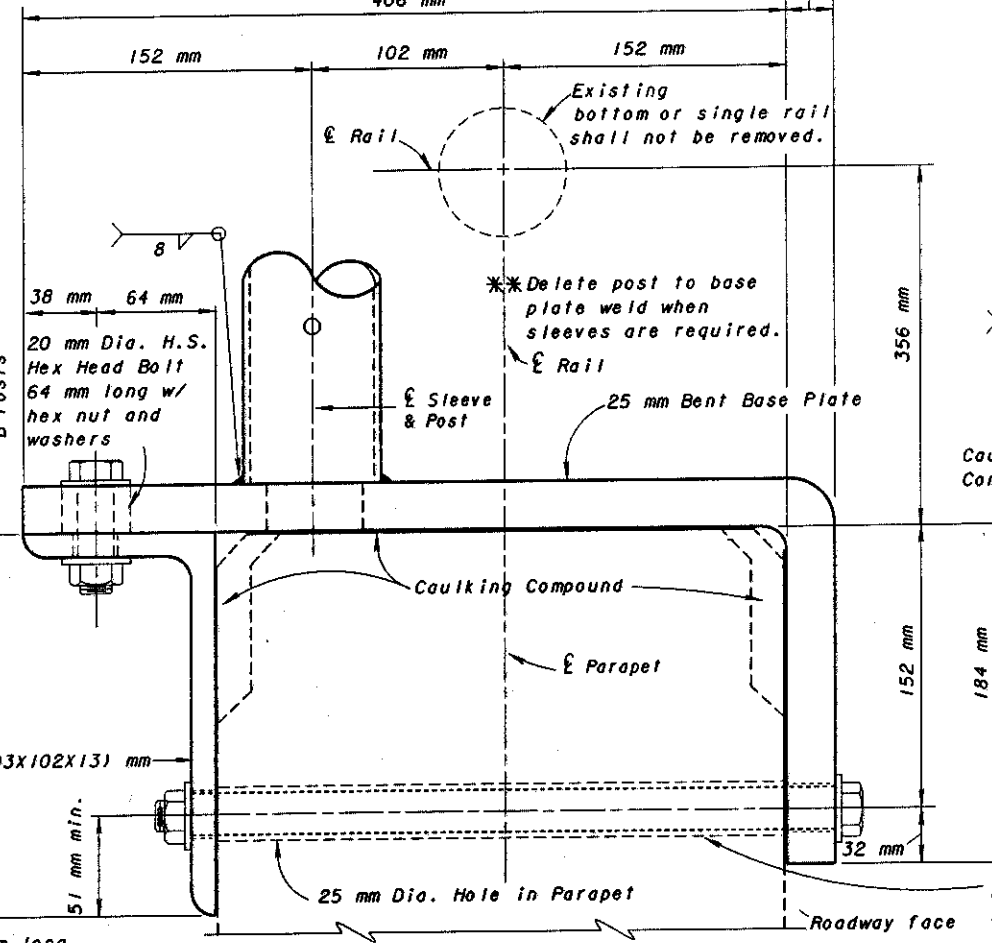
SHIM POSITIONS SHOWN

50 mm Dia. Hole in Base Plate



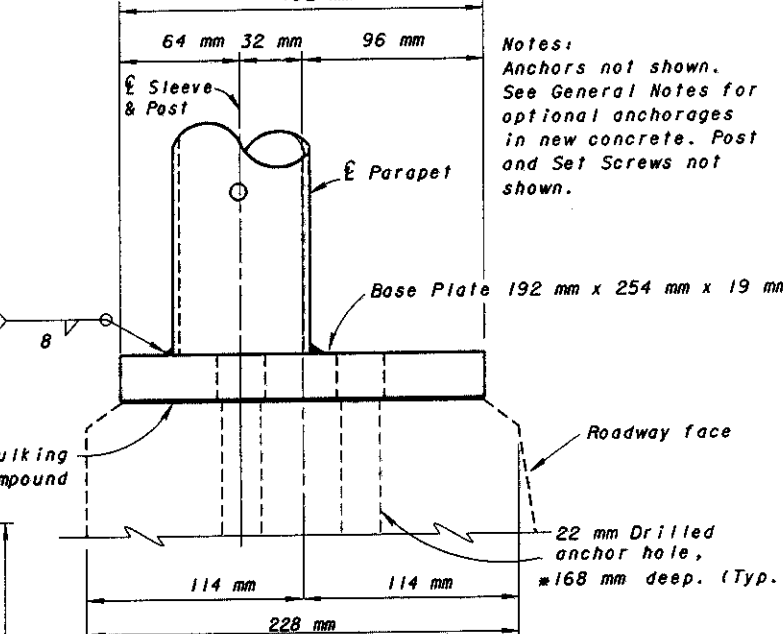
**END VIEW BP-3**

Roadway face



**END VIEW BP-4**

Roadway face



**END VIEW BP-5**

Base Plate shall be used to connect fence post to existing BR-1-67 parapet and existing or new BR-1 deflector parapet when 1850 mm fence is specified. Base Plate requires a sleeve. See Post Sleeve Details on Sheet 377.

Base Plate shall be used on concrete parapet with aluminum railing as shown on Standard Drawings BR-2-82, BR-2-67, BR-1-65 with Types 1 & 2 posts, and AR-1-57 with Type B posts. Existing aluminum rail shall not be removed. Base Plate requires a sleeve. See Sleeve Details on Sheet 377.

\* or as recommended by the fastener manufacturer. Inserts shall be approved by the Director.

Base Plate shall be used on concrete parapet with aluminum railing as shown on Standard Drawing AR-1-57 with Type A and C posts. Existing aluminum rail shall not be removed. Base Plate requires a sleeve. See Sleeve Details on Sheet 377.

DESIGN AGENCY	BUREAU OF BRIDGES AND STRUCTURAL DESIGN
STATE OF OHIO DEPARTMENT OF TRANSPORTATION	DATE
REVIEWED	DATE
CHECKED	DATE
PREPARED	DATE
DRAWN	DATE
REVISIONS	DATE
STANDARD DRAWING	DATE
VANDAL PROTECTION FENCE BASE PLATES WHEN RAILS ARE NOT REMOVED	DATE