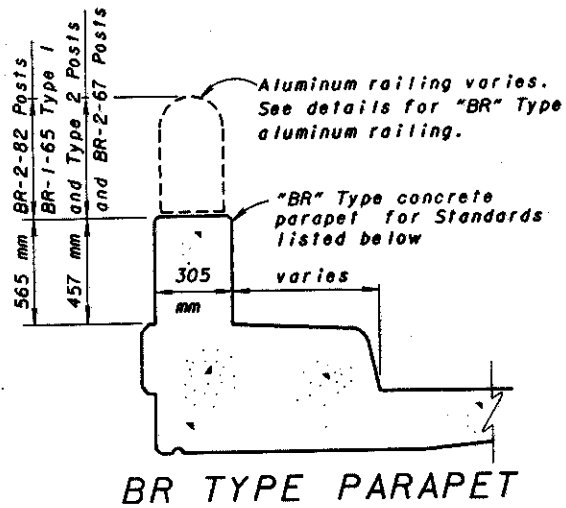


AR TYPE PARAPET

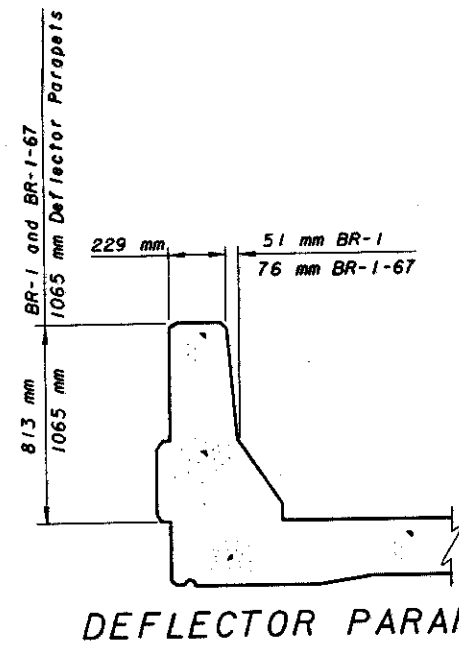
See Standard Drawing AR-1-57. Use curved fence or straight 2450 mm high fence as determined by curb or sidewalk width and and Base Plates BP-1, BP-2, BP-3 or BP-4.

RAILING TYPES



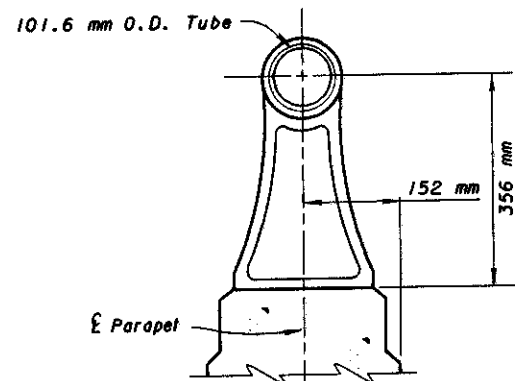
BR TYPE PARAPET

See Standard Drawings BR-2-82, BR-2-67 and BR-1-65. Use curved fence or straight 2450 mm high fence as determined by curb or sidewalk width and Base Plate BP-1.

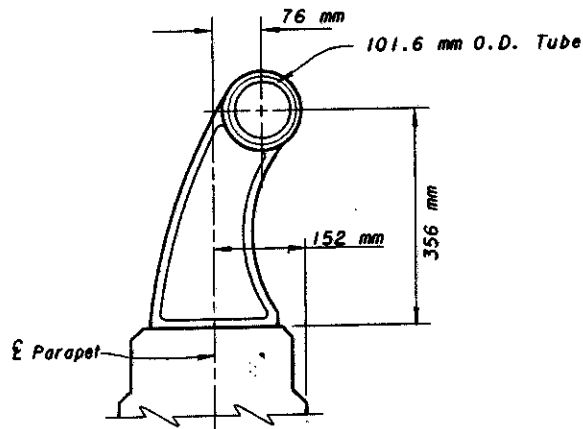


DEFLECTOR PARAPET

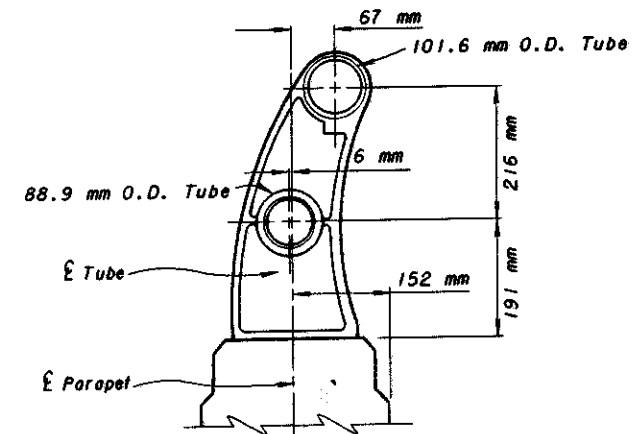
See Standard Drawings BR-1 & BR-1-67 and 1065 mm Deflector Parapet. Use straight 1850 mm high fence and Base Plate BP-5.



Aluminum railing for Standard Drawing AR-1-57 with Type A Posts

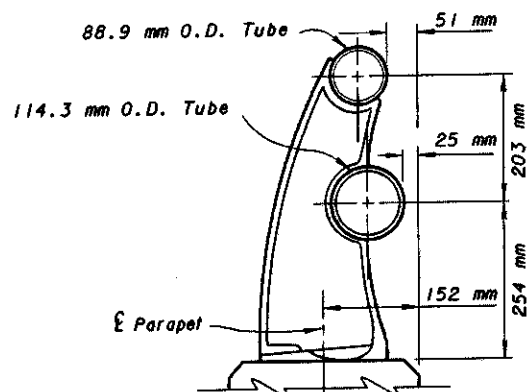


Aluminum railing for Standard Drawing AR-1-57 with Type B Posts

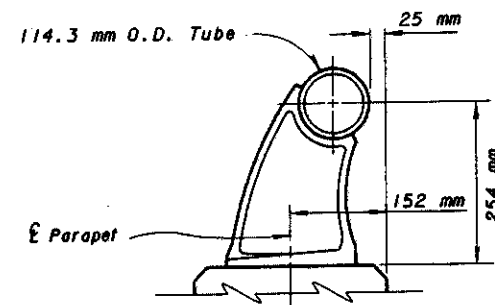


Aluminum railing for Standard Drawing AR-1-57 with Type C Posts

AR TYPE ALUMINUM RAILING



Aluminum railing for Standard Drawings BR-2-82, BR-2-67 and BR-1-65 with Type 2 Posts



Aluminum railing for Standard Drawing BR-1-65 with Type 1 Posts

Base plate threaded anchors are designed for a minimum concrete strength of $f_c' = 28$ MPa. Special designs required for concrete strengths less than this.

BR TYPE ALUMINUM RAILING

DESIGN AGENCY	BUREAU OF BRIDGES AND STRUCTURAL DESIGN
STATE OF OHIO DEPARTMENT OF TRANSPORTATION	DATE
REVIEWED	3-20-95
CHECKED	ENGINEER OF BRIDGES
PREPARED	
STANDARD DRAWING	
VANDAL PROTECTION FENCE	
GENERAL NOTES AND RAILING TYPES	
2	7