

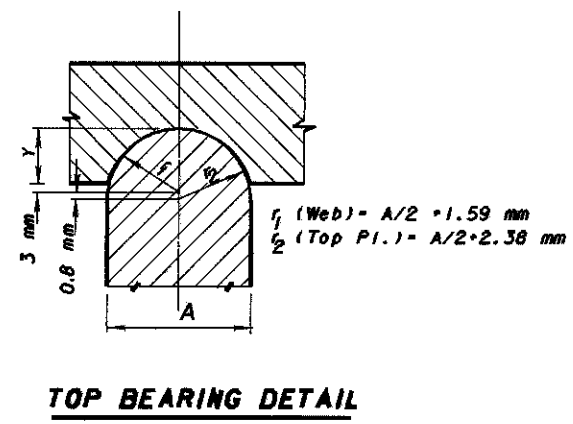
STRUCTURAL STEEL BOLSTER
SEE TABLE BELOW FOR ADDITIONAL DIMENSIONS.

STRUCTURAL STEEL ROCKER
SEE TABLE BELOW FOR ADDITIONAL DIMENSIONS

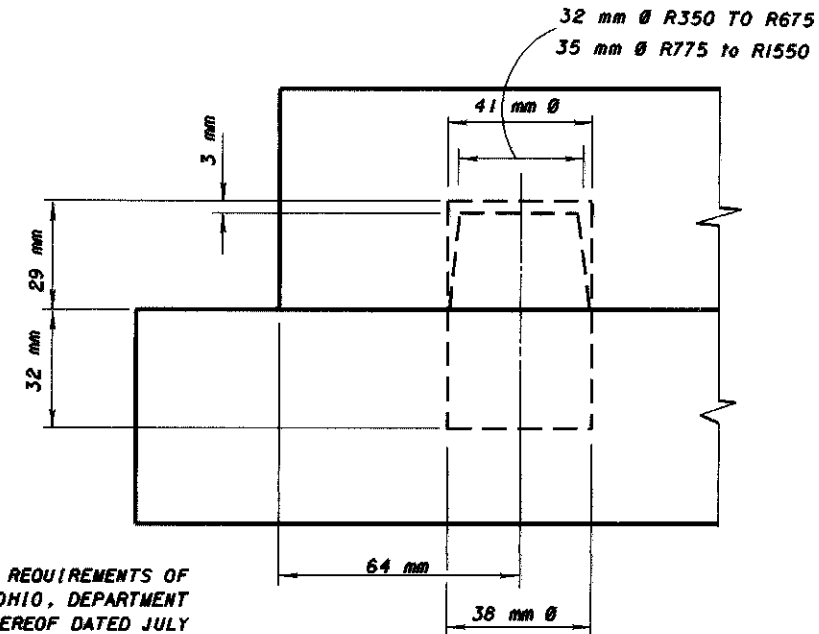
BOLSTER NO.	ROCKER NO.	DIMENSIONS (MILLIMETERS)													WEIGHT EACH (Kg)		MAXIMUM LOAD (kN)	
		A	b	C	D	F	G	H	K	L	M	R	T	Y	BOLSTER	ROCKER		
	R-340	64	203	64	44	13	178	244	229	457	406	140	38	30			93	340
B-450	R-450	64	254	64	51	13	191	270	229	483	432	165	38	30			102	450
B-575	R-575	76	279	76	51	13	203	308	267	508	457	191	38	37			134	575
B-675	R-675	76	305	76	57	13	216	340	292	559	483	216	44	37			164	675
B-775	R-775	76	356	89	64	13	229	384	305	584	508	241	51	37			207	775
B-900	R-900	76	406	89	70	16	229	416	305	610	533	267	57	37			245	900
B-1000	R-1000	76	432	89	70	16	229	429	330	635	559	279	57	37			268	1000
B-1100	R-1100	89	457	89	70	19	254	448	330	660	584	292	64	43			316	1100
B-1225	R-1225	89	483	89	83	19	305	467	356	686	610	305	70	43			363	1225
B-1325	R-1325	89	508	89	83	19	305	486	356	711	635	318	76	43			406	1325
B-1550	R-1550	102	559	102	89	19	356	537	381	762	686	343	89	48			610	1550

WEIGHTS GIVEN ARE FOR ONE ROCKER OR BOLSTER COMPLETE (INCLUDING SHEET LEAD, ANCHOR BOLTS AND WASHERS).

LEGEND
Kg - KILOGRAM
kN - KILONEWTONS



TOP BEARING DETAIL



DOWEL DETAIL

DESIGN SPECIFICATIONS: THIS STANDARD DRAWING CONFORMS TO THE REQUIREMENTS OF "DESIGN SPECIFICATIONS FOR HIGHWAY STRUCTURES" OF THE STATE OHIO, DEPARTMENT OF HIGHWAYS, DATED OCTOBER 1, 1951, TOGETHER WITH REVISIONS THEREOF DATED JULY 15, 1952, APRIL 1, 1954 AND FEBRUARY 1, 1955.

LIMITATION: THIS ROCKER AND BOLSTER DESIGN SHALL NOT BE USED WHERE THE ANTICIPATED MOVEMENT IN ONE DIRECTION IS IN EXCESS OF 50 mm.

ROADWAY GRADE: IF THE ROADWAY GRADE EXCEEDS 2 % THE UPPER LOAD PLATE OF THE BEARING SHALL BE BEVELED TO MATCH THE GRADE, DIMENSION "C" SHALL BE MAINTAINED AT THE CENTER OF THE PLATE.

BOLSTER AND ROCKER CAPACITIES SHOWN ON THIS STANDARD DRAWING ARE BASED ON ACTUAL DEAD LOAD, LIVE LOAD AND IMPACT.