

# NOTES

Due to the depth requirement above the wall spring line necessary to corbel from dimension "W" to the frame diameter, designs shown hereon shall not be used unless "Y", measured from flowline to top of cover, is equal to or greater than the minimum depth shown in the following table:

Diameter of outlet pipe. (mm)	Width "W" above outlet pipe. (mm)	Min. Depth "Y". Top of cover to flowline. (m)
300		
375	915	
450		3.7
525	970	
600	1060	
675	1150	
750	1240	
825	1330	4.0
900	1420	4.3
1050	1600	4.7
1200	1750	5.3
1350	1930	5.8
1500	2110	6.4
1650	2290	7.0
1800	2470	7.5
1950	2650	7.9
2100	2800	8.5
2250	2980	9.1
2400	3160	9.6
2550	3340	10.2
2700	3520	10.7
2850	3700	11.3
3000	3850	11.7

**CONSTRUCTION:** Manholes shall be built of brick, precast solid concrete blocks or cast in place concrete. When manholes are constructed of brick, every sixth course shall be a stretcher course. Manholes constructed of Class C cast in place concrete shall be reinforced by placing #15M bars 300 mm center to center both vertically and horizontally with a 50 mm clearance from the inside face of the wall. Payment for furnishing and placing reinforcing steel shall be included in the unit price bid for Item 604.

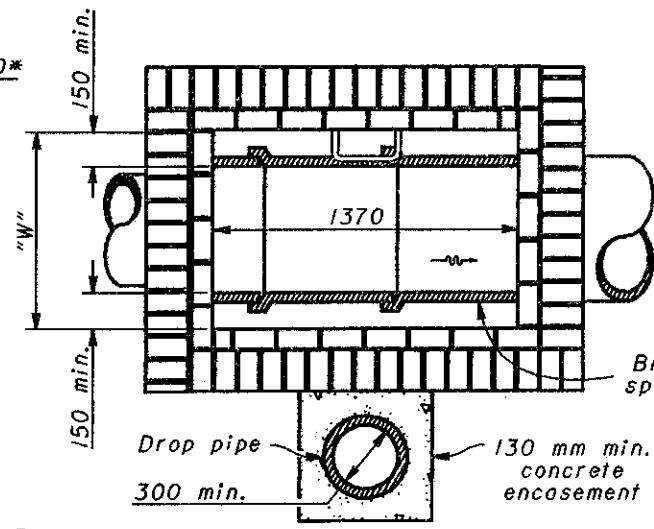
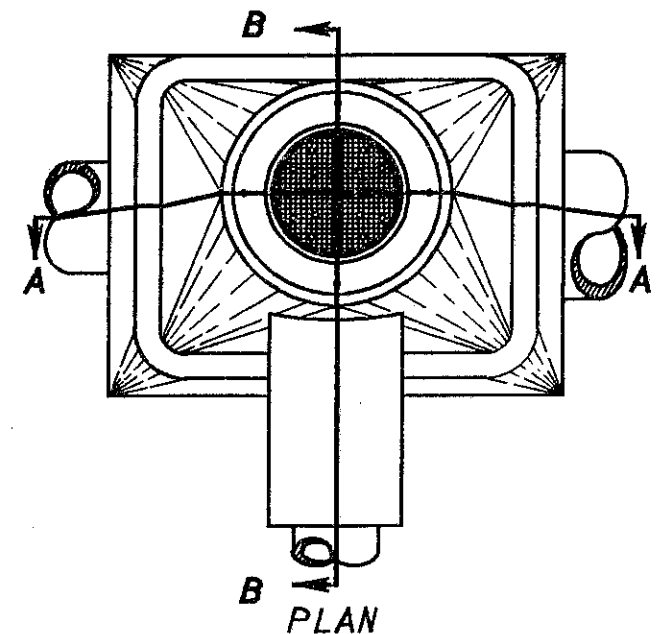
Channel sections in the manhole shall be constructed of split pipe or brick except that curved sections may be built by forming a channel in the concrete.

**DROP PIPES:** When specified on the plans, drop pipes shall be constructed for all conduits carrying sanitary flow which cannot be connected to the manhole within 1.2 m, flowline to flowline, as detailed hereon.

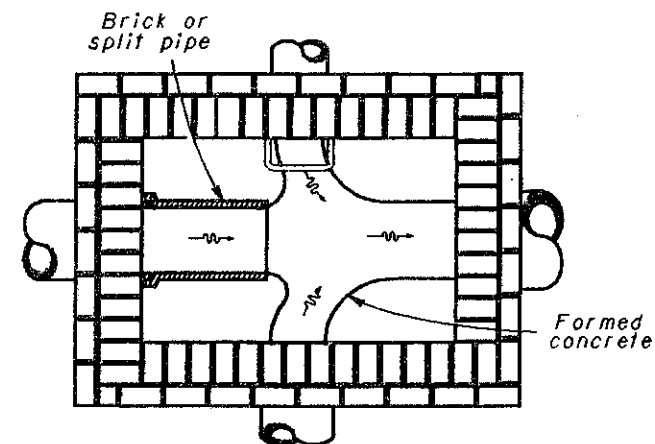
**STEPS, FRAMES AND COVERS:** Shall comply with the requirements set forth on Std. Constr. Dwg. MH-1.1M.

**ALTERNATE DESIGN:** Precast reinforced concrete manholes detailed on MH-1.2M, MH-1.3M and MH-2.1M may be used in lieu of the design shown hereon, unless otherwise required by the plans.

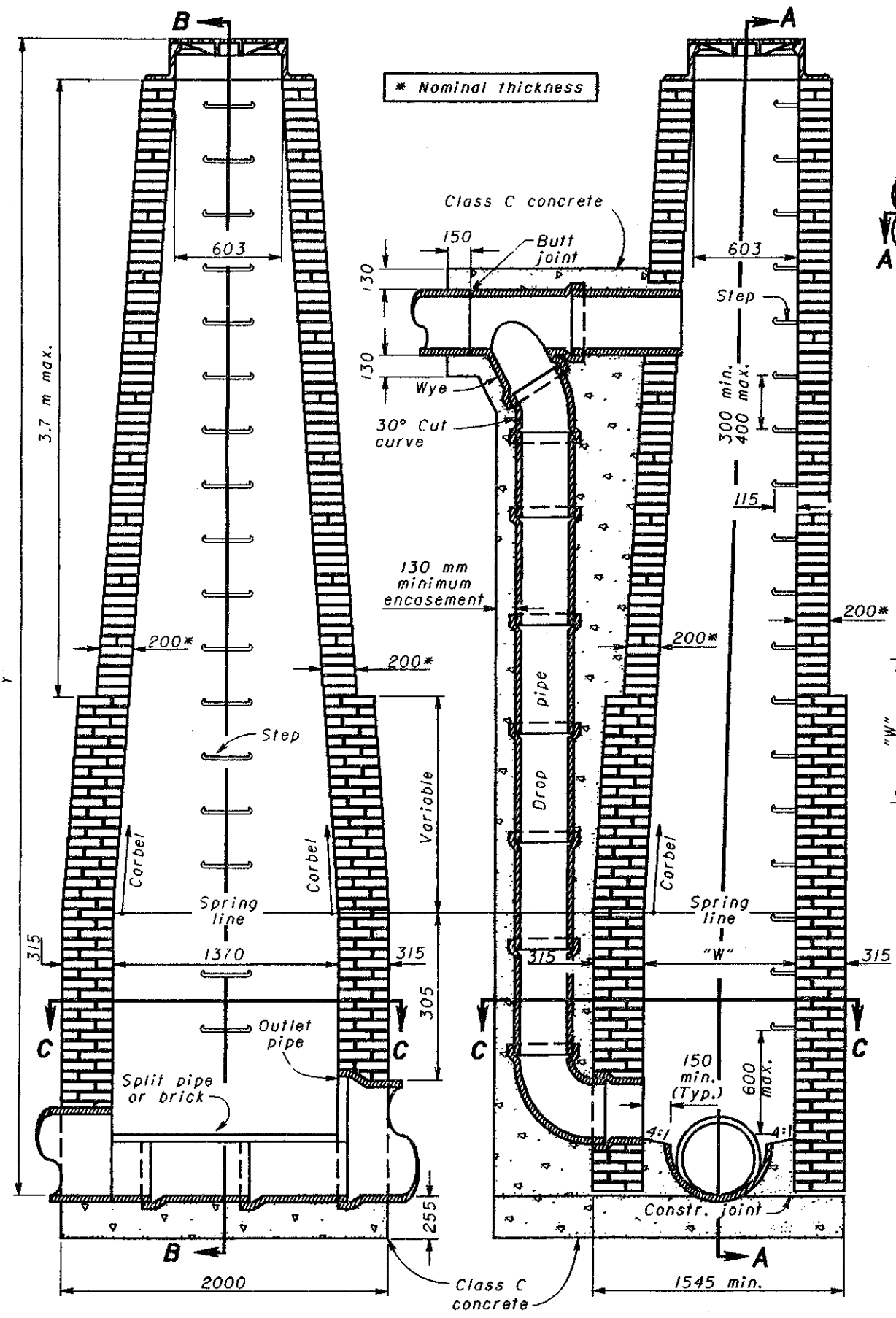
**WALL:** Thicknesses shall be 200 mm nominal for the top 3.7 m of depth, 315 mm for the next 4.0 m, 430 mm for the next 4.6 m and 570 mm for the next 4.5 m. Maximum allowable depth is 16.7 m.



SECTION C-C



SECTION BELOW SPRING LINE  
Showing method of turning side drains which enter the manhole at the flowline.



SECTION A-A

SECTION B-B

All dimensions are in millimeters unless otherwise noted.



This Drawing Replaces MH-2.

OFFICE OF ROADWAY ENGINEERING  
OHIO DEPARTMENT OF TRANSPORTATION

**MANHOLE No. 2**

DATE  
9-6-95

STANDARD CONSTRUCTION **MH-3.1M**  
DRAWING

APPROVED *D.K. Hulman, P.E.*  
ADMINISTRATOR