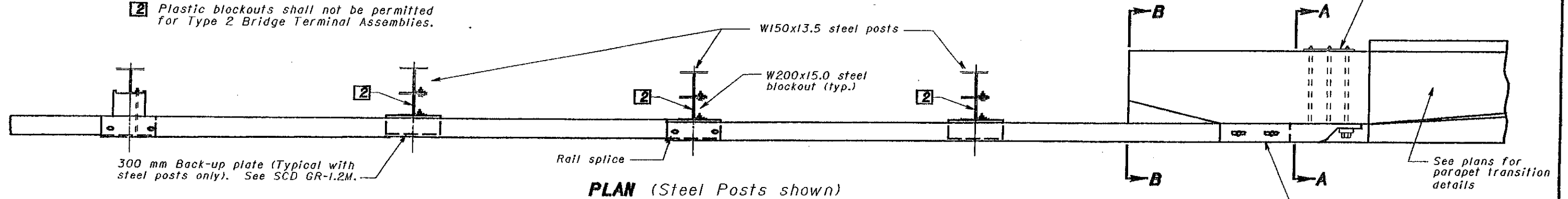


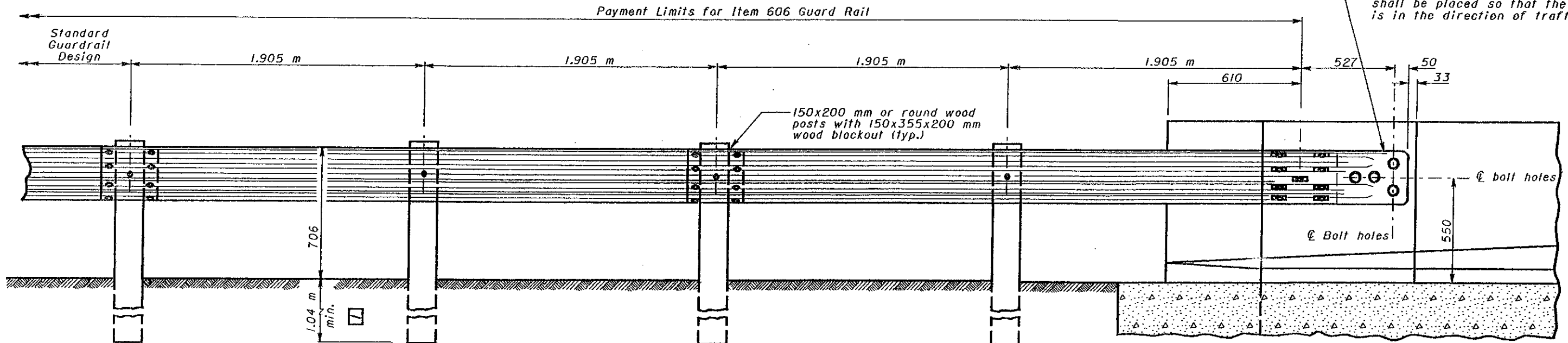
**LEGEND**

- 1 See SCD GR-1.2M for additional post embedment details.
- 2 Plastic blockouts shall not be permitted for Type 2 Bridge Terminal Assemblies.

22 mm dia. ASTM A 325M through bolts (length to be determined in field in accordance with parapet width) in 25 mm dia. holes with 280x254x15.9 mm plate with standard washers and hex nuts (see Detail "A")



**PLAN (Steel Posts shown)**



**ELEVATION (Wood Posts shown)**

**NOTES**

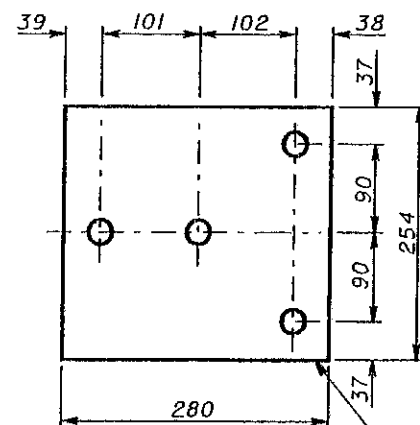
**GENERAL:**  
For additional details, see SCD's GR-1.1M, GR-1.2M and other drawings pertaining to the design of specific guardrail types.

**APPLICATION:**  
The Type 2 Bridge Terminal Assembly shall be used to connect guardrail runs to the trailing end of bridge parapets or other concrete barrier installations on one-direction roadways.

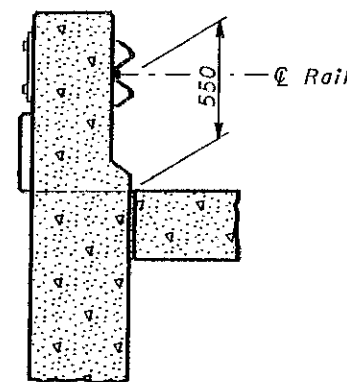
**POSTS:**  
Posts shall be of standard size and material specified for the appropriate type of guardrail to be installed leaving the bridge or barrier.

**PAYMENT:**  
Payment for Item 606 - Each, Bridge Terminal Assembly, Type 2 shall include the extra cost, in excess of normal guardrail cost, for the terminal connector, steel blockouts, plates, bolts, hex nuts, washers and other hardware.

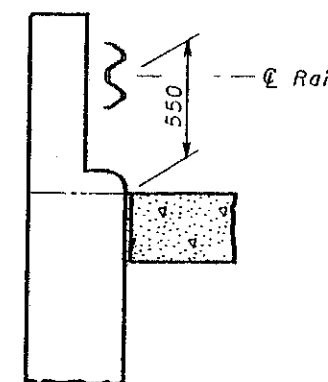
All dimensions are in millimeters unless otherwise noted.



**DETAIL A**



**SECTION A - A**



**SECTION B - B**



This Drawing Replaces GR-3.2.

**OHIO DEPARTMENT OF TRANSPORTATION**

**BRIDGE TERMINAL ASSEMBLY, TYPE 2**

**DATE**  
11-30-94  
10-21-97

STANDARD CONSTRUCTION DRAWING **GR-3.2M**

APPROVED *[Signature]*