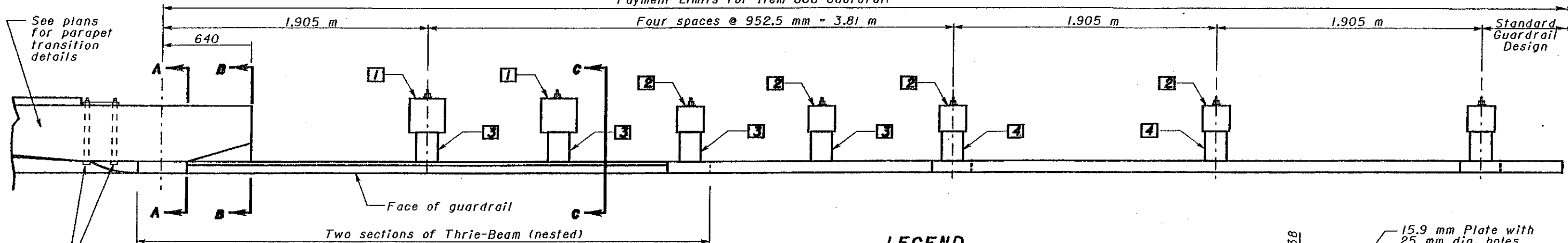


Payment Limits for Item 606 Guardrail

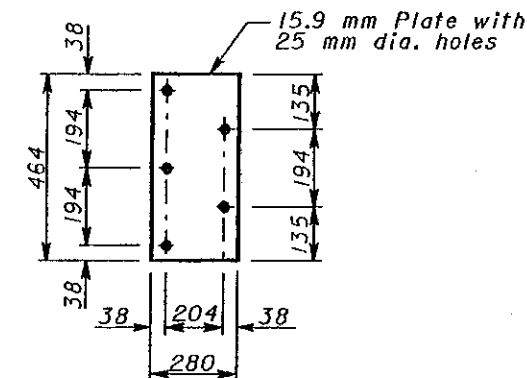


22 mm dia. ASTM A 325M through bolts (length to be determined in field in accordance with parapet width) in 25 mm dia. holes with 464 x 280 x 15.9 mm plate with standard washers and hex nuts (See Detail A)

PLAN

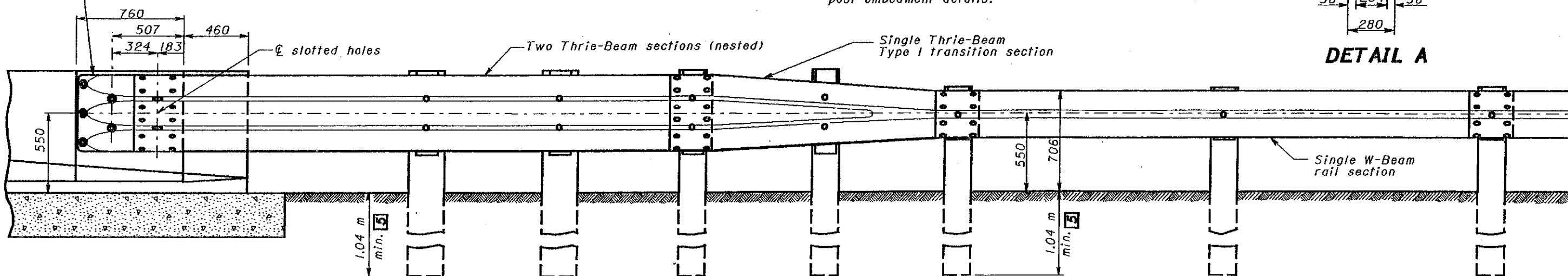
LEGEND

- 1 250 x 250 mm wood post
- 2 200 x 200 mm wood post
- 3 150 x 200 x 570 mm wood blockout (See ALTERNATE POSTS AND BLOCKOUTS note)
- 4 150 x 200 x 355 mm wood blockout (See ALTERNATE POSTS AND BLOCKOUTS note)
- 5 See SCD GR-1.2M for additional post embedment details.



DETAIL A

NOTE: The Thrie-Beam terminal connector shall be placed so that the lap is in the direction of traffic.



ELEVATION

All dimensions are in millimeters unless otherwise noted.

NOTES

GENERAL:
For additional details, see SCD's GR-1.1M, GR-1.2M and other drawings pertaining to the design of specific guardrail types.

APPLICATION:
The Type I Bridge Terminal Assembly shall be used to connect guardrail runs to bridges having concrete deflector parapet railing. It shall be used to connect guardrail runs to the approach end of bridge parapets or other concrete barrier installations and to anchor guardrail runs to the trailing end of bridge parapets or other concrete barrier installations on undivided, bidirectional highways.

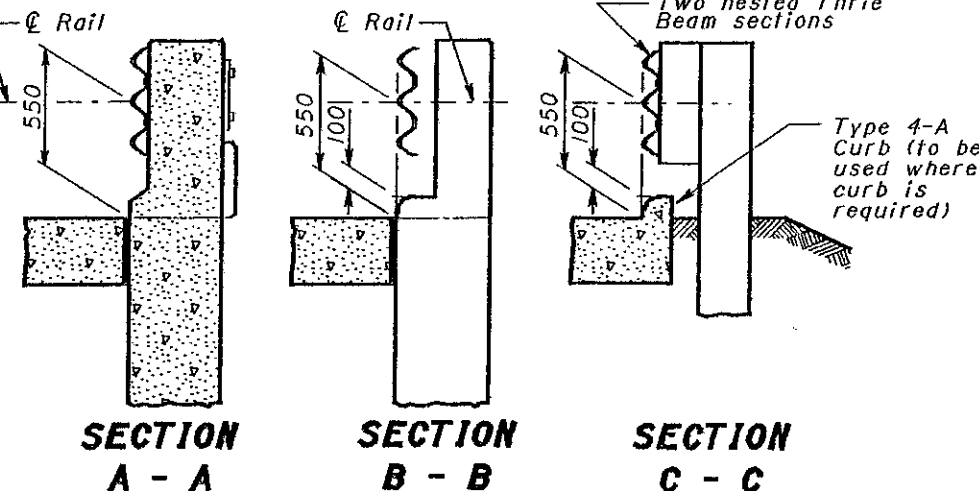
POSTS:
GENERAL - Posts may be set in drilled holes or driven to grade.

WOOD POSTS - shall be square sawed pressure treated wood as per CMS 710.14 and fabricated with square ends. Bolt holes shall be bored and tops of posts trimmed, if required, after posts are set.

ALTERNATE POSTS AND BLOCKOUTS for Type I Bridge Terminal Assemblies may be furnished according to the following chart. Plastic blockouts shall not be permitted for Type I Bridge Terminal Assemblies.

Wood Posts & Blockouts	250x250 mm	200x200 mm
Steel Posts	W200x35.9	W150x37.1
Wood Blockouts	150x200 mm	
Steel Blockouts	W150x13.5	

PAYMENT:
Payment for Item 606 - Each, Bridge Terminal Assembly, Type I, shall include the extra cost, in excess of normal guardrail cost, for additional and different type posts and blockouts, nested Thrie-Beam sections, terminal connector, Thrie-Beam transition section, steel plate, bolts, hex nuts, washers, and other hardware.



This Drawing Replaces GR-3.1.

OHIO DEPARTMENT OF TRANSPORTATION	
BRIDGE TERMINAL ASSEMBLY, TYPE 1	
STANDARD CONSTRUCTION DRAWING	GR-3.1M
APPROVED	<i>[Signature]</i>
DATE	11-30-94 10-21-97