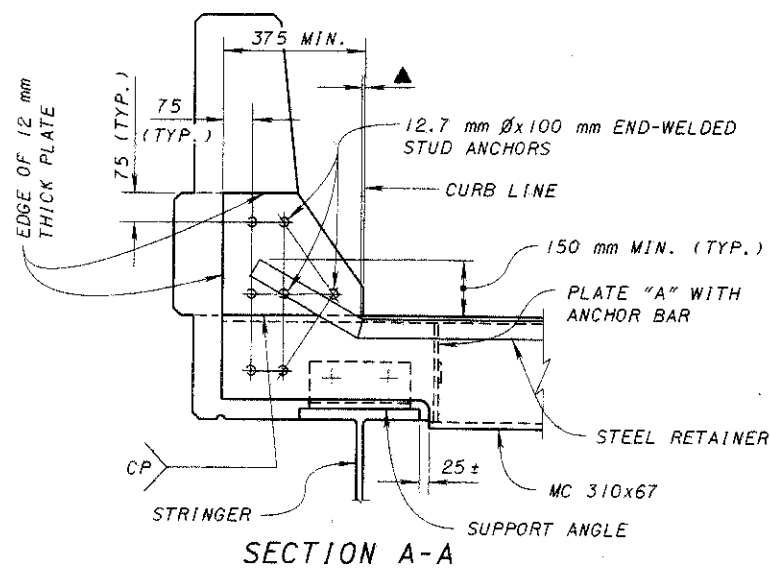
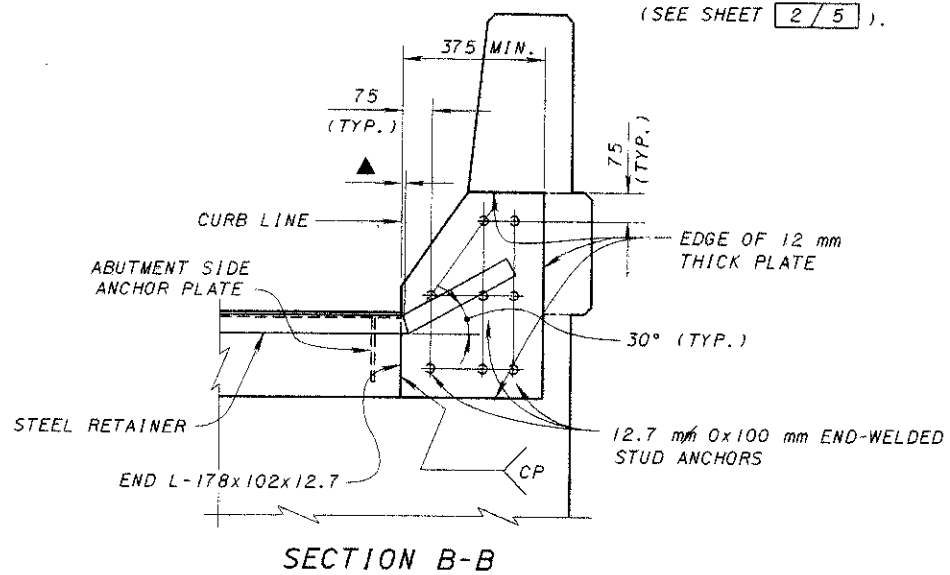


PART PLAN AT ABUTMENT
FOR SQUARE OR LOW SKEWED (15° OR LESS)
BRIDGES WITH DEFLECTOR PARAPET RAILING

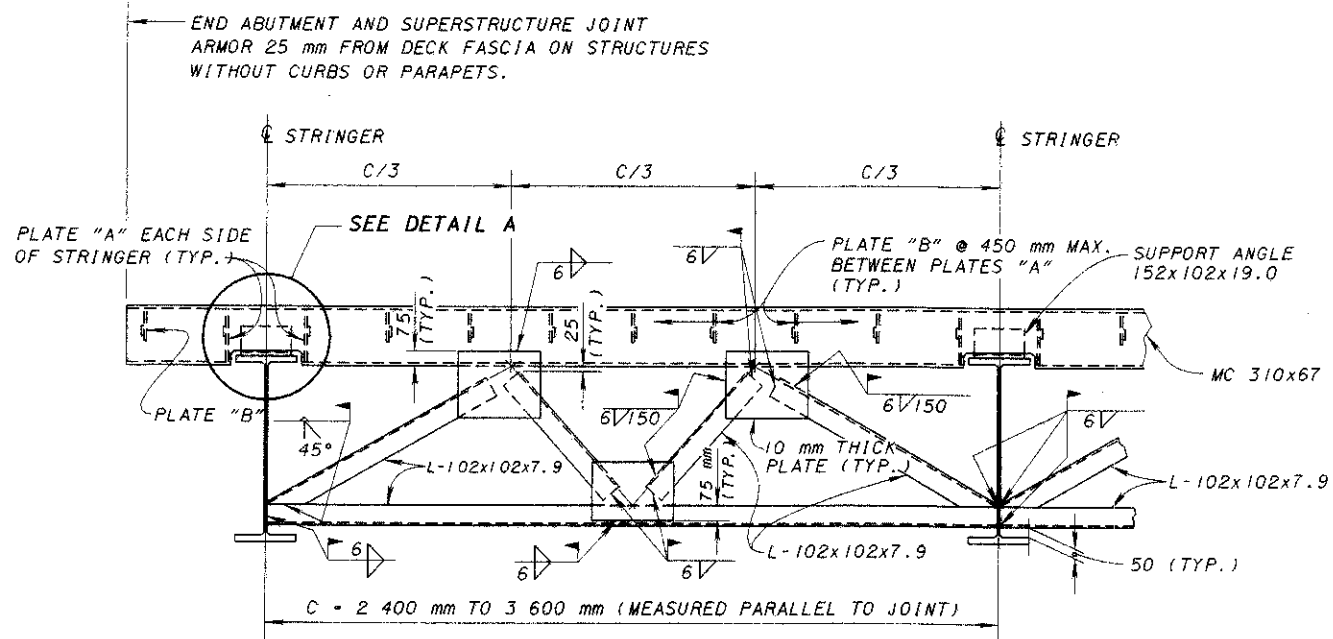


SECTION A-A

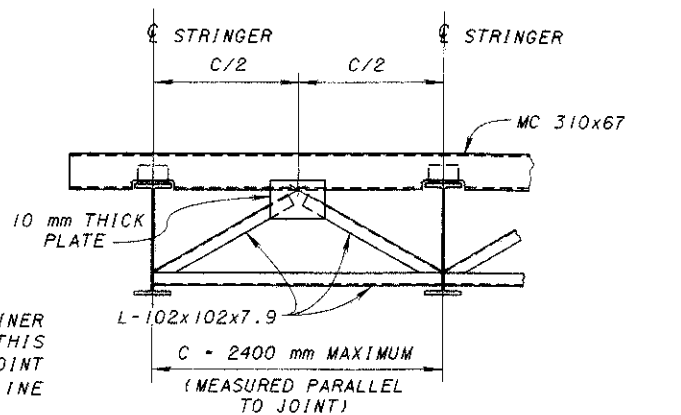
▲ - 0 MIN. TO 13 mm MAX. AT BREAKPOINT IN RETAINER FOR SQUARE BRIDGES. ON SKEWED BRIDGES THIS DIMENSION WILL ONLY APPLY TO THE SIDE OF JOINT ASSEMBLY WHICH IS NEAREST TO THE CURB LINE (SEE SHEET 2/5).



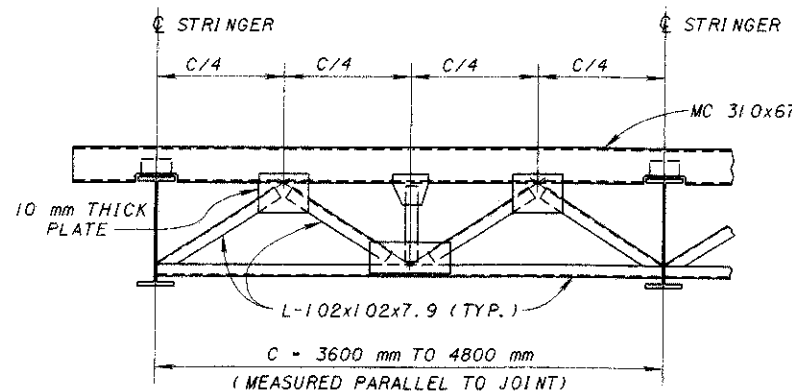
SECTION B-B



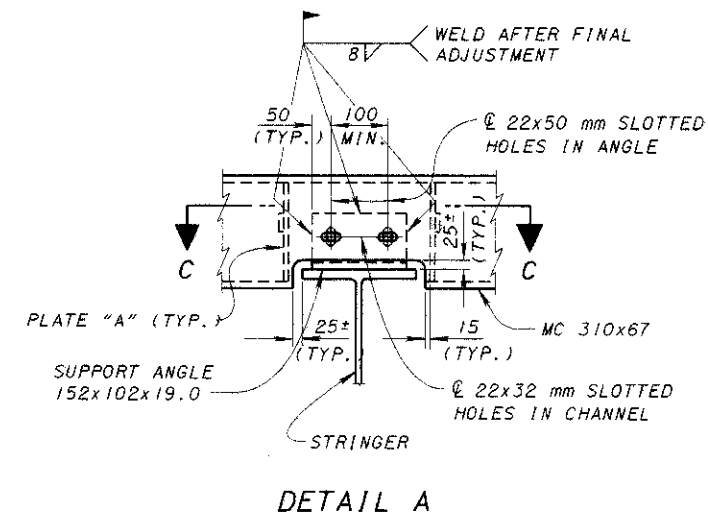
NOTE: THE WELDING SYMBOLS SHOWN ABOVE ARE TYPICAL FOR ALL SIMILAR LOCATIONS OF THIS END CROSSFRAME. ALSO, THE WELDED ATTACHMENT DETAILS AND TYPICAL DIMENSIONS SHOWN ARE TYPICAL FOR THE CROSSFRAMES DETAILED BELOW.



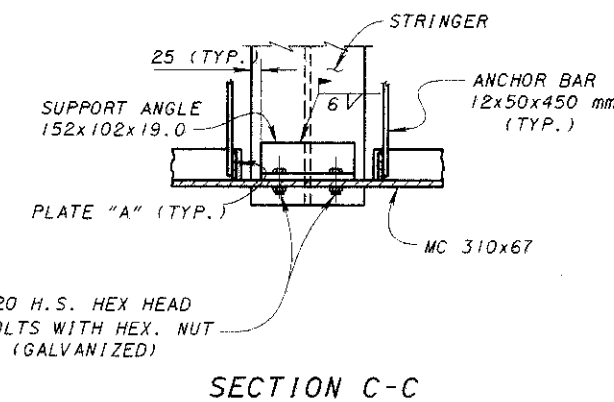
END CROSSFRAME DETAILS
STEEL RETAINERS ARE NOT SHOWN



NOTE: THE JOINT ARMOR SHOULD NOT BE PAINTED, EXCEPT FOR THE METALIZED SURFACES DAMAGED DURING CROSSFRAME INSTALLATION. THESE AREAS SHALL BE CLEANED AND PAINTED IN CONFORMANCE WITH THE STRUCTURE'S PAINT SYSTEM REQUIREMENTS. OVERSPRAY FROM PAINTING NEED NOT BE REMOVED. FOR REPAIR OF ALL OTHER METALIZED SURFACES SEE THE JOINT INSTALLATION NOTES ON SHEET 5/5.



DETAIL A



SECTION C-C

M20 H.S. HEX HEAD BOLTS WITH HEX. NUT (GALVANIZED)

NOTES:
FOR SECTION X-X SEE SHEET 2/5.

DESIGN AGENCY	BUREAU OF BRIDGES	DATE	3-20-95
STATE OF OHIO DEPARTMENT OF TRANSPORTATION	ENGINEER OF BRIDGES	DESIGNED	AJM
REVIEWED	WTL/LMW	CHECKED	JS
EXJ-4-87W		DRAWN	AJM
REVISIONS	2-18-97	STANDARD	
STRIP SEAL EXPANSION JOINTS FOR STEEL STRINGER STRUCTURES			
1	5		