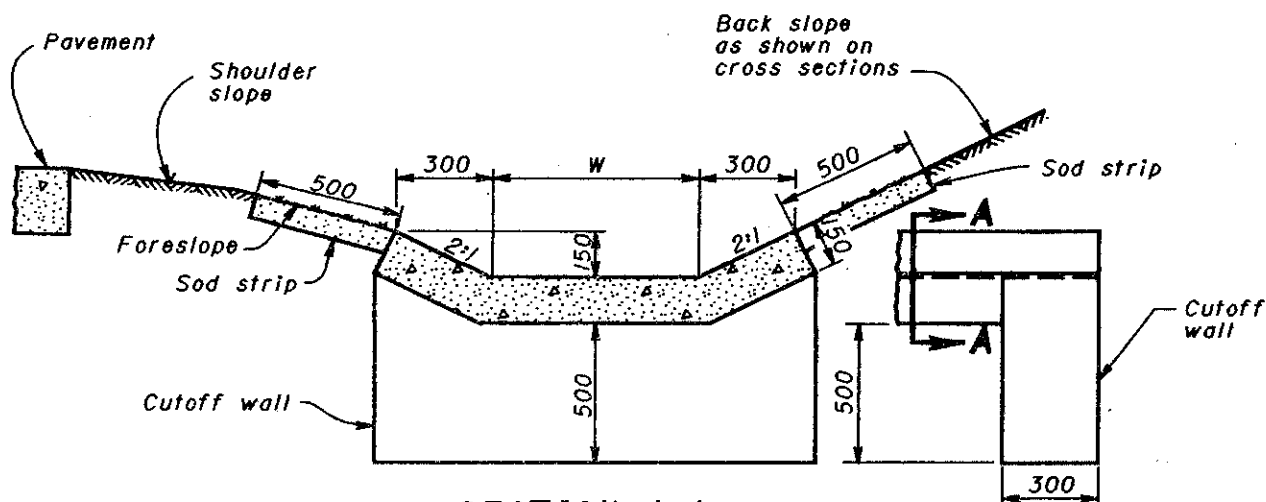
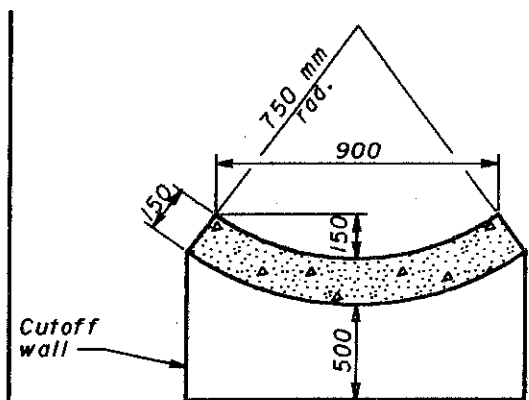


# STANDARD PAVED GUTTERS



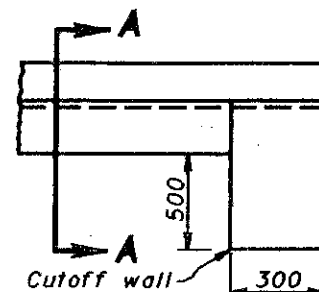
**SECTION A-A**  
**TYPE 1-0.5** (W = 0.5 m)  
**TYPE 1-1.0** (W = 1.0 m)  
**TYPE 1-1.5** (W = 1.5 m)  
**TYPE 1-2.0** (W = 2.0 m)

**SIDE VIEW**



**SECTION A-A**

**TYPE 2**



**SIDE VIEW**

## NOTES

**GENERAL:** Gutters shall be constructed of Class C concrete, stone or brick.

The thickness of the gutter shown hereon is for concrete construction. If stone or brick is used it shall be grout-filled and the thickness of the gutter shall be increased to 200 mm minimum.

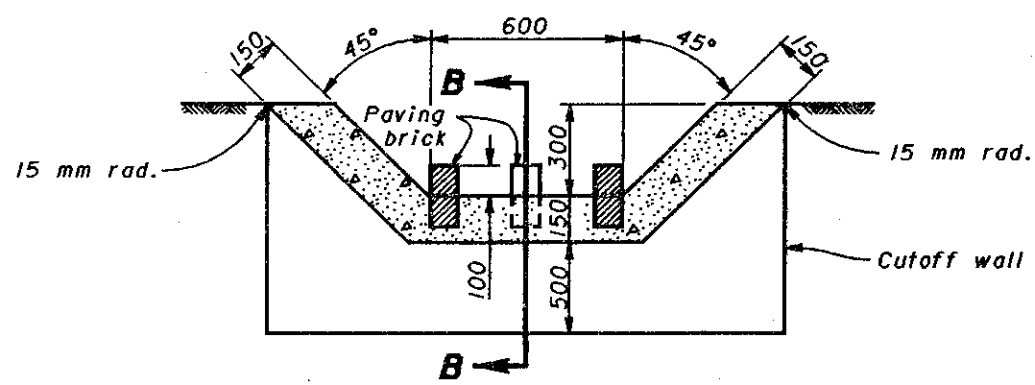
Type 3 Gutter with baffles may be used for steep slopes. Gutter blocks shall be new or used paving brick or precast concrete blocks of similar dimensions and shall be placed with the outside blocks in one row staggered with the center blocks at 300 mm on center longitudinally or as shown on the plan.

**CONSTRUCTION:** Concrete gutters shall have impressed contraction joints spaced at 3.0 m intervals, unless otherwise specified.

Concrete cutoff walls shall be constructed at the beginning and end of a gutter run except where the gutter connects with a catch basin or inlet.

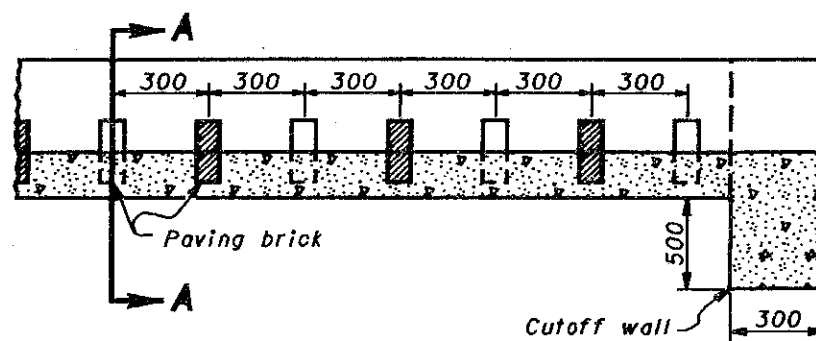
The cost of cutoff walls shall be included in the unit price bid for the gutter.

**SOD:** Installation and payment for sod shall be in accordance with CMS 660.

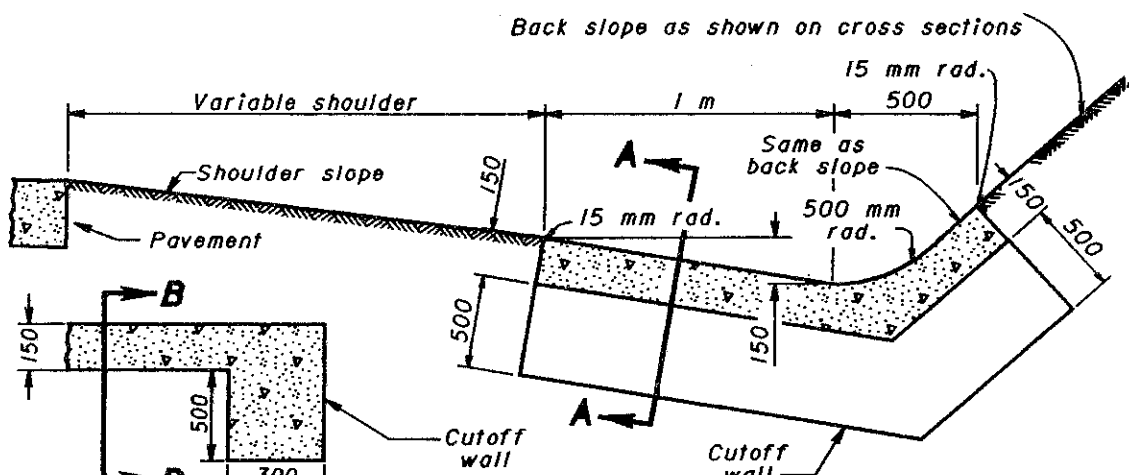


**SECTION A-A**

**TYPE 3**

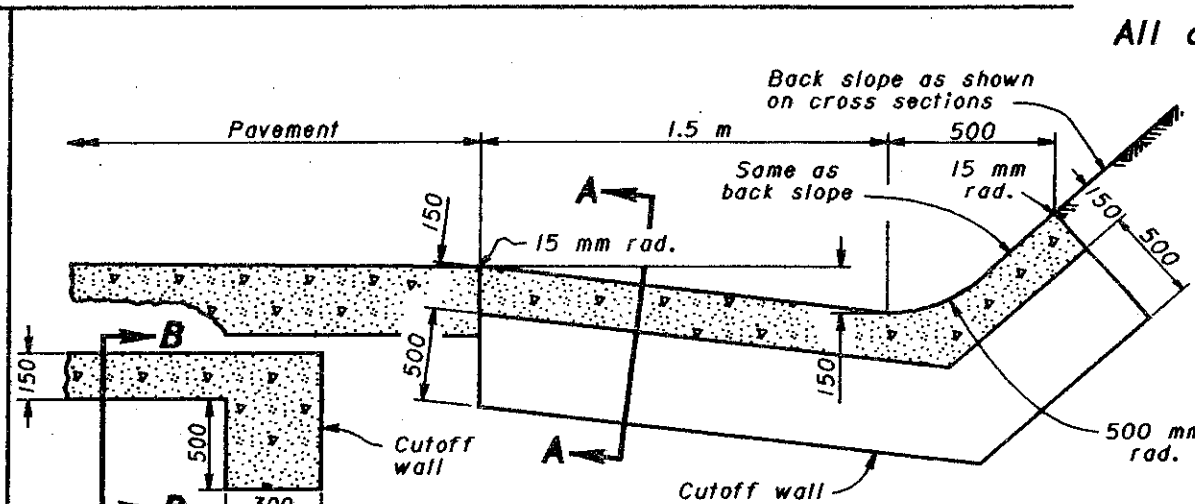


**SECTION B-B**



**SECTION A-A**

**TYPE 4**



**SECTION A-A**

**TYPE 5**

All dimensions are in millimeters unless otherwise noted.



This Drawing Replaces MC-5.

BUREAU OF LOCATION AND DESIGN  
 OHIO DEPARTMENT OF TRANSPORTATION

**PAVED GUTTERS**

DATE  
 6-30-95

STANDARD CONSTRUCTION DRAWING **DM-2.1M**

APPROVED *D.K. Hulman*  
 ENGR., L & D