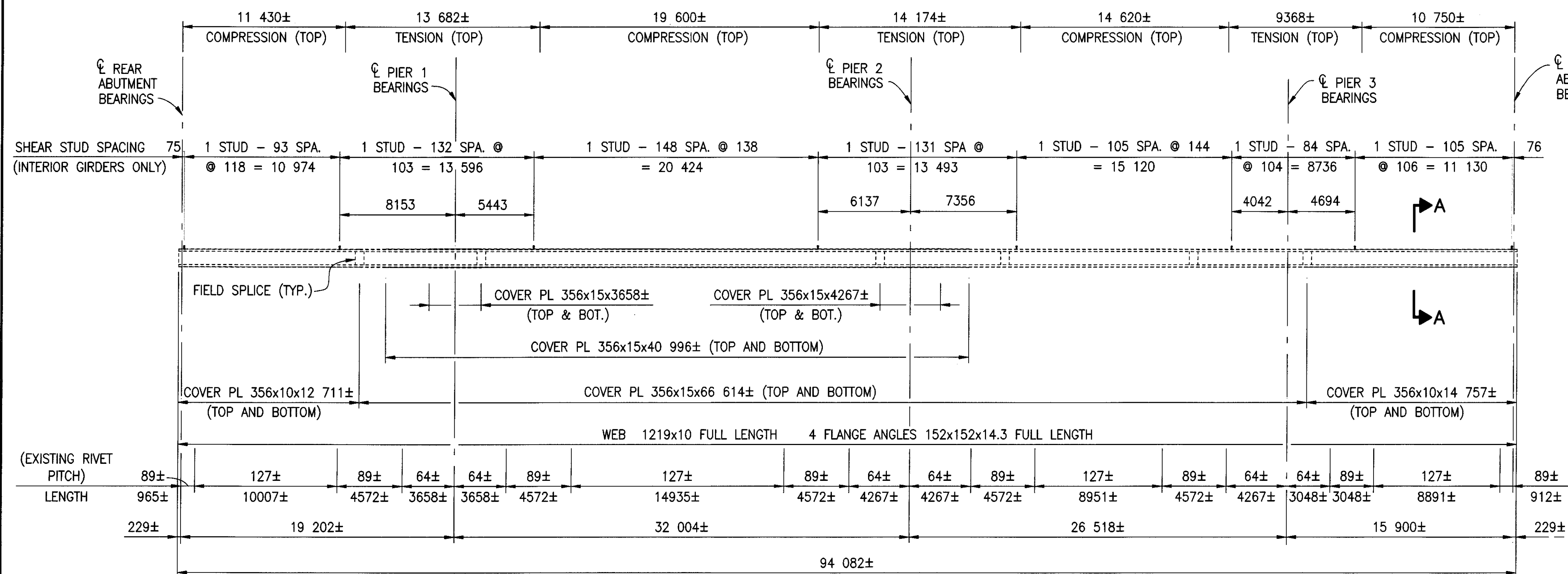
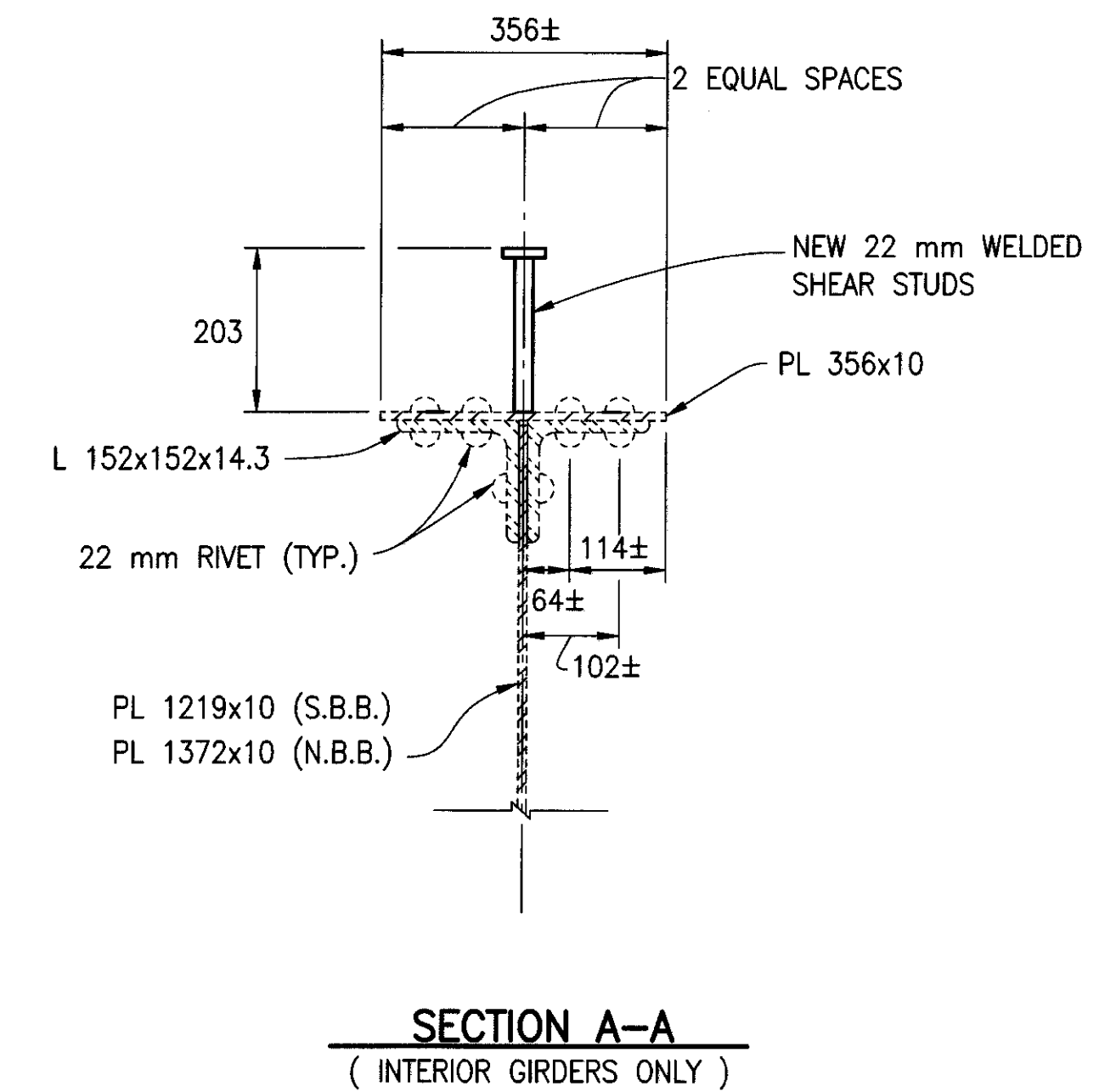
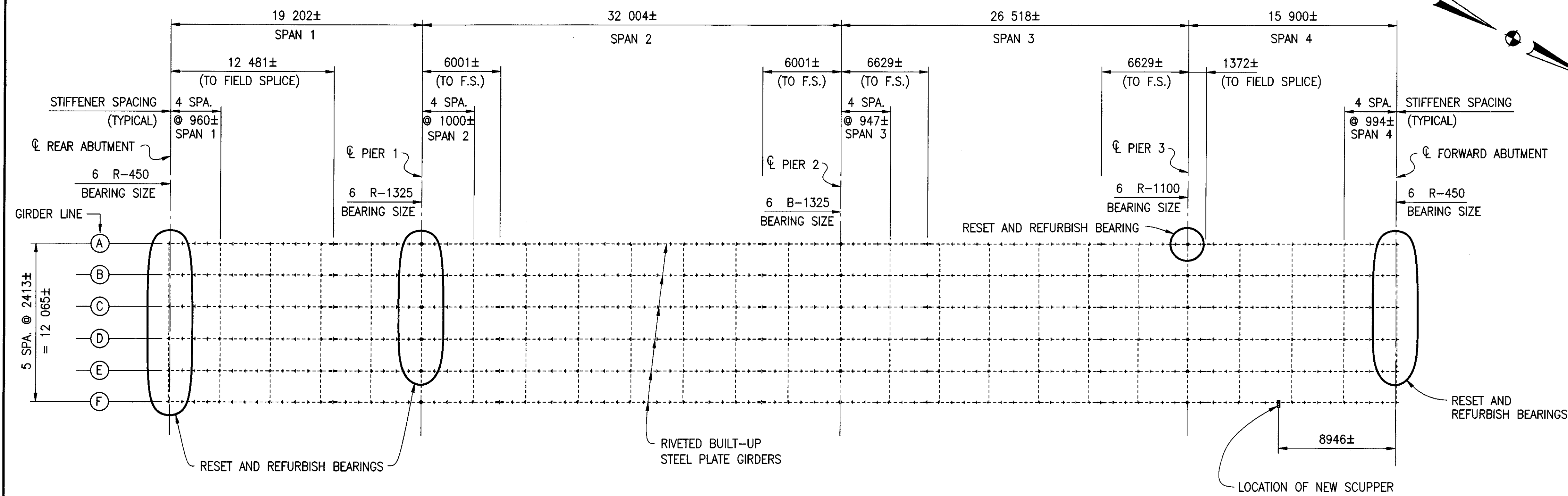


NOTE: ALL DIMENSIONS ARE IN MILLIMETERS UNLESS OTHERWISE NOTED.



NOTES

MATERIALS SHOWN ARE EXISTING UNLESS OTHERWISE NOTED.

NOTATION: F.S. - FIELD SPLICE
S.S.B. - SOUTHBOUND BRIDGE
N.B.B. - NORTHBOUND BRIDGE

ADDITIONAL SCUPPER DETAILS: SEE SHEET [17/18].

EXISTING RIVET GAGE ALTERNATES BETWEEN THE 128± mm SHOWN IN SECTION A-A AND 203± mm. THE SHEAR STUD PITCH MAY NEED TO BE ADJUSTED SLIGHTLY TO AVOID RIVETS GAGE TO PRECLUDE THE PLACEMENT OF THREE STUDS PER ROW.

WELDED ATTACHMENT OF SUPPORTS FOR CONCRETE DECK FINISHING MACHINE MAY BE MADE TO AREAS OF THE FASCIA STRINGER FLANGES DESIGNATED "COMPRESSION". ATTACHMENTS SHALL NOT BE MADE TO AREAS DESIGNATED "TENSION". FILLET WELDS TO COMPRESSION FLANGES SHALL BE NOT CLOSER THAN 25 mm FROM THE EDGE OF FLANGE, BE NOT MORE THAN 50 mm LONG AND BE NOT SMALLER THAN THE MINIMUM SIZE REQUIRED BY AASHTO.

RESET AND REFURBISH BEARINGS SEE SHEETS [3/18] SEE DETAIL SHEET [18/18]

EXISTING ROCKER DIMENSIONS: REFER TO STANDARD BRIDGE DRAWING RB-1-55

96161FRA.DWG
JOB NO. 96161 DATE 8/23/99 DRAWN BY KAK,PH,TWH

RICHLAND ENGINEERING LIMITED
 29 NORTH PARK STREET
 MANSFIELD, OHIO 44902
 DATE 9/8/99
 REVIEWED DAP
 DRAWN KAK
 DESIGNED KAK
 CHECKED DT
 STRUCTURE FILE NO. 4304381/4304411
FRAMING PLAN (SOUTHBOUND BRIDGE)
 BRIDGE NO. LAK-90-23609/23641
 S.R. 44 OVER I-90
 LAK-90-23.609/23.641
 11/18
 34
 41