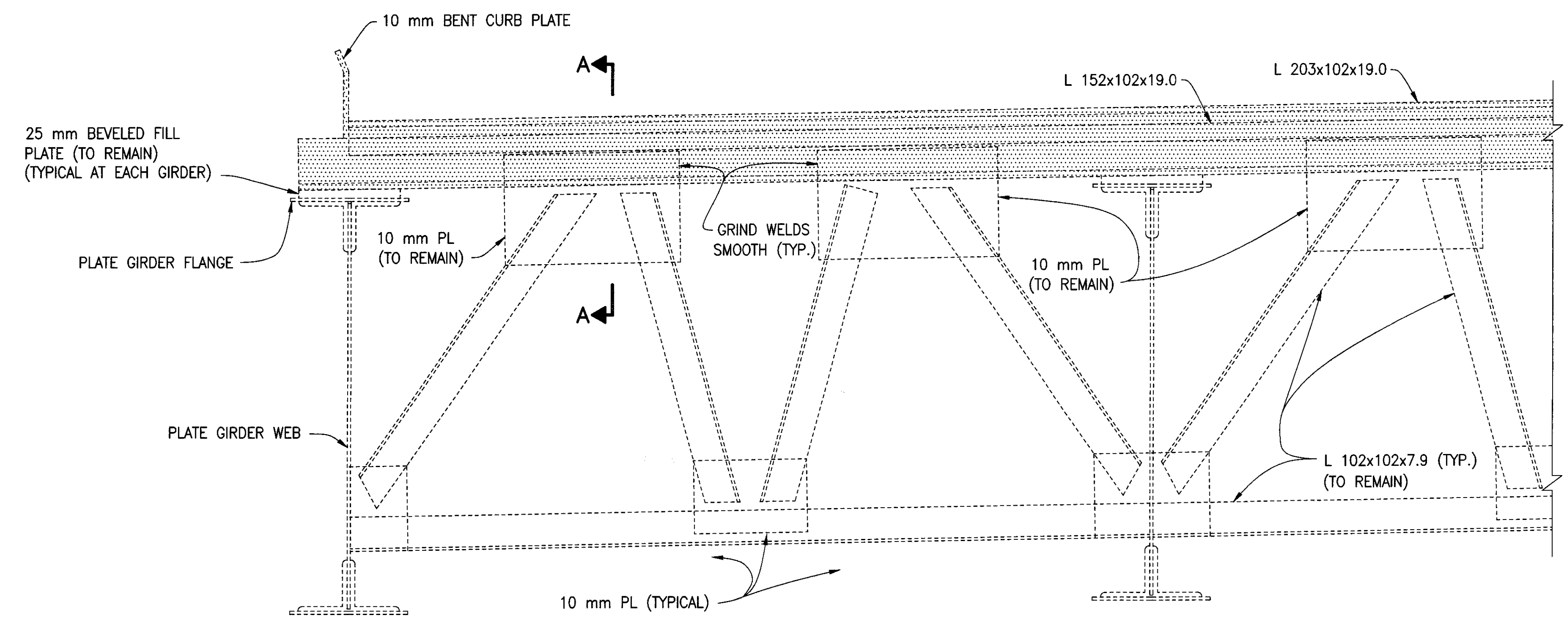
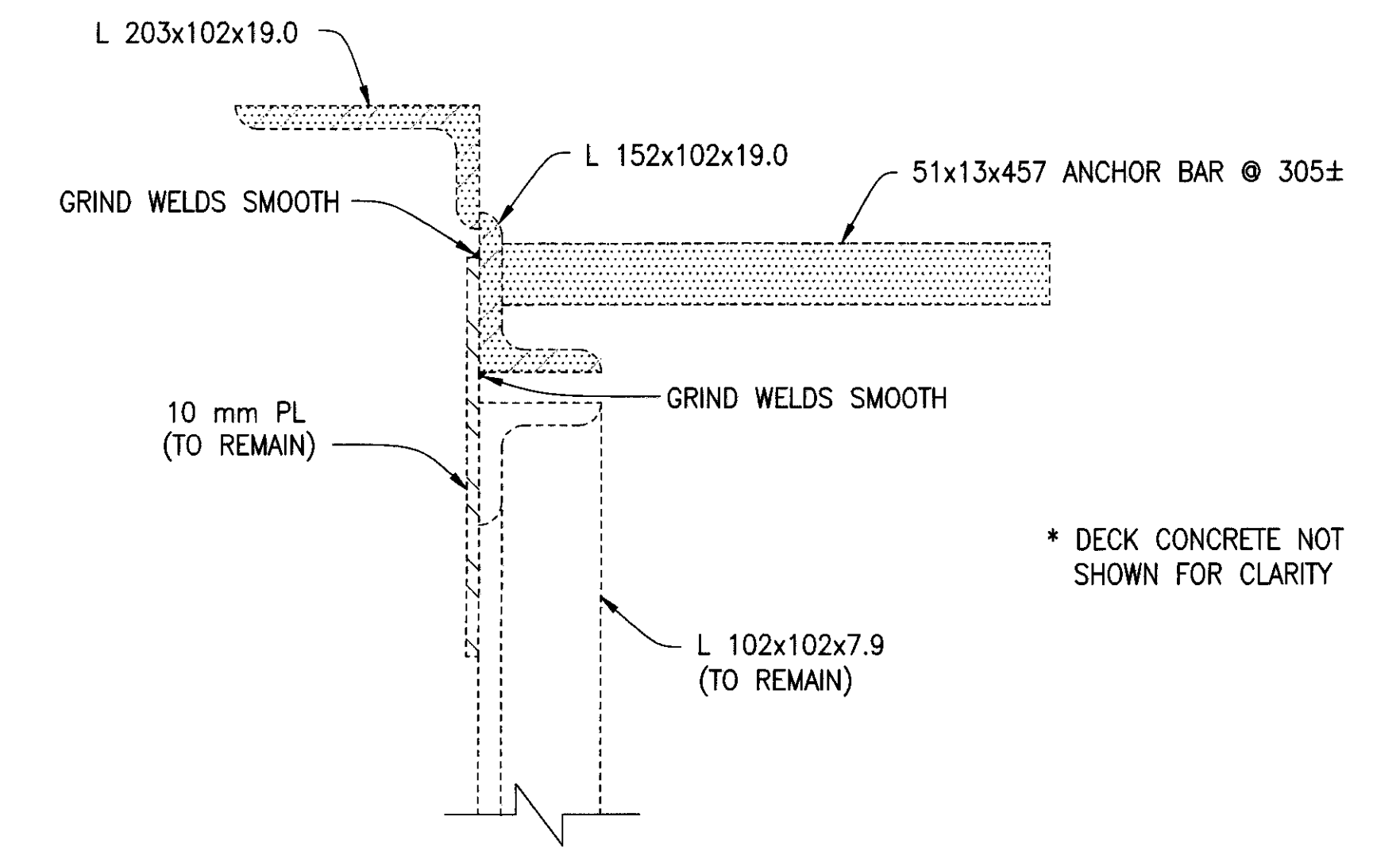


NOTE: ALL DIMENSIONS ARE IN MILLIMETERS UNLESS OTHERWISE NOTED.



SUPERSTRUCTURE END CROSSFRAME

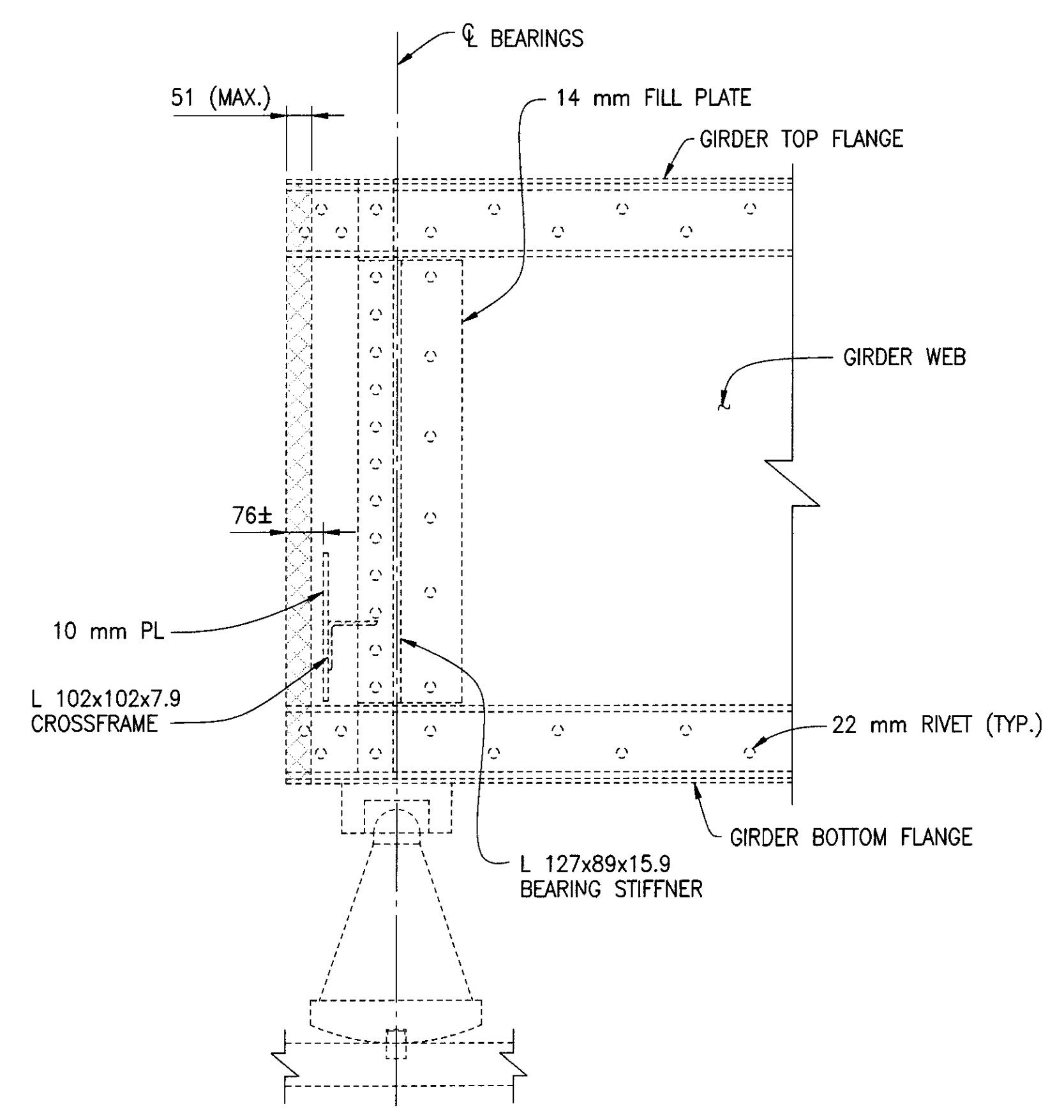


SECTION A-A

* DECK CONCRETE NOT SHOWN FOR CLARITY

LEGEND

- INDICATES MATERIALS TO BE REMOVED PER ITEM 202 - PORTIONS OF STRUCTURE REMOVED OVER 6 METER SPAN, AS PER PLAN.
- INDICATES AREAS OF BEAM END THAT MAY REQUIRE TRIMMING UNDER ITEM 863 - TRIMMING OF BEAM END, AS PER PLAN.



**TRIMMING OF BEAM END
(IF NECESSARY)**

96161RE3.DWG
JOB NO. 96161 DATE 8/30/99 DRAWN BY KAK,KH,TWH

metric units		RICHLAND ENGINEERING LIMITED	
29 NORTH PARK STREET MANSFIELD, OHIO 44902			
DATE 9/8/99	REVIEWED DAP	DRAWN KAK	STRUCTURE FILE NO. 4304381/4304411
DESIGNED KAK	CHECKED DT		
SUPERSTRUCTURE REMOVAL DETAILS			
BRIDGE NO. LAK-90-23609/23641 S.R. 44 OVER I-90			
LAK-90-23.609/23.641			
8 / 18			
31			
41			