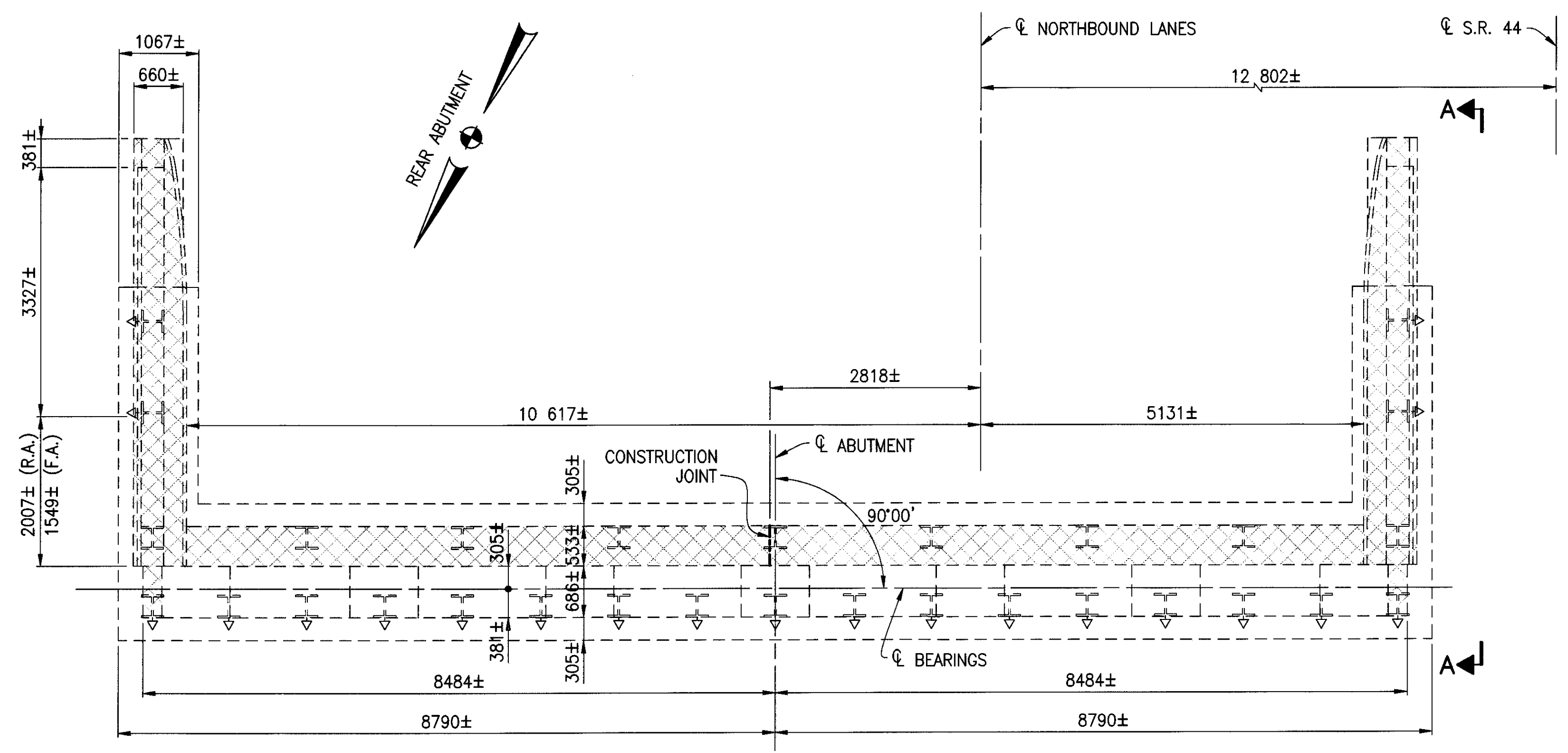
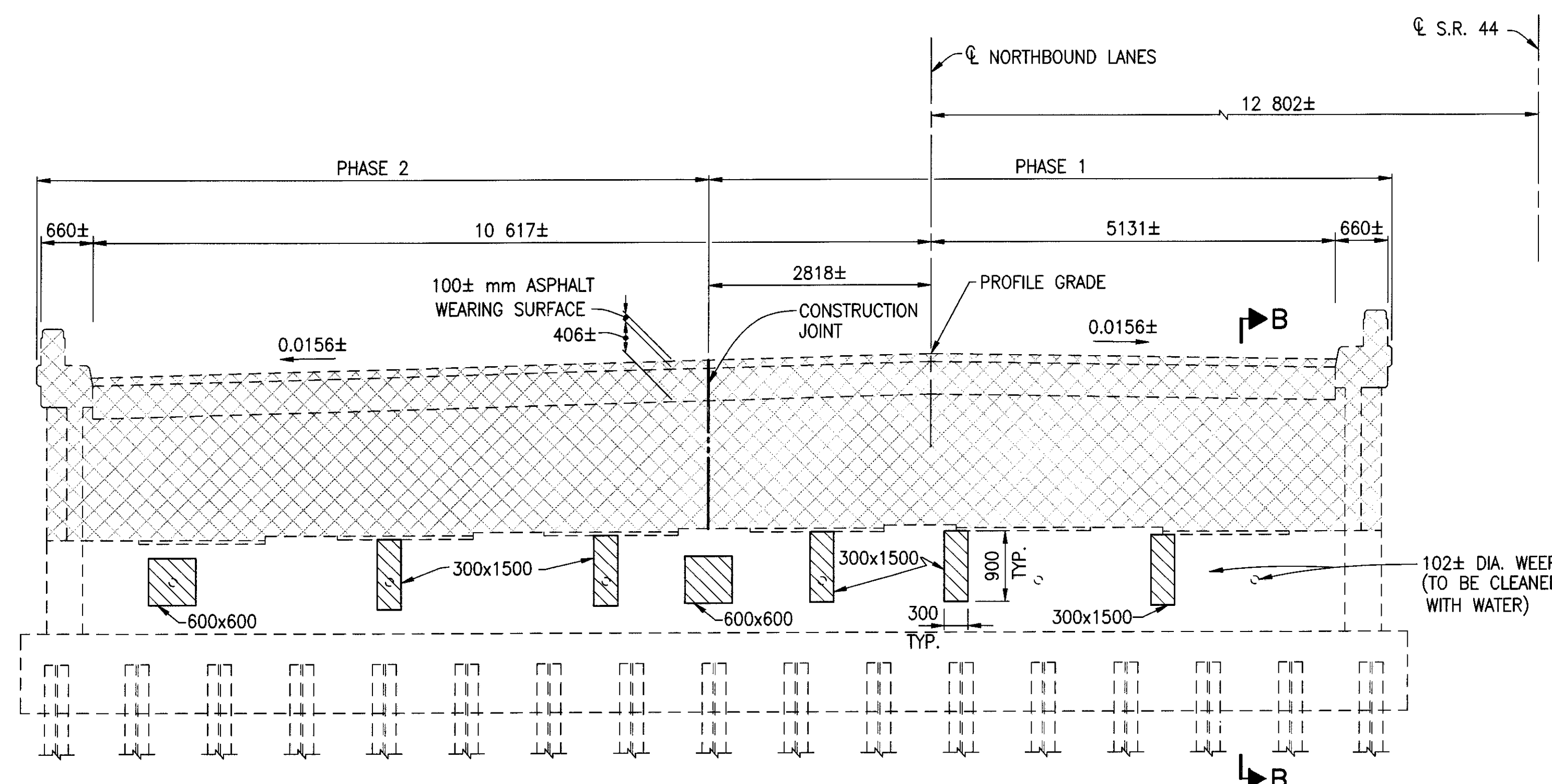


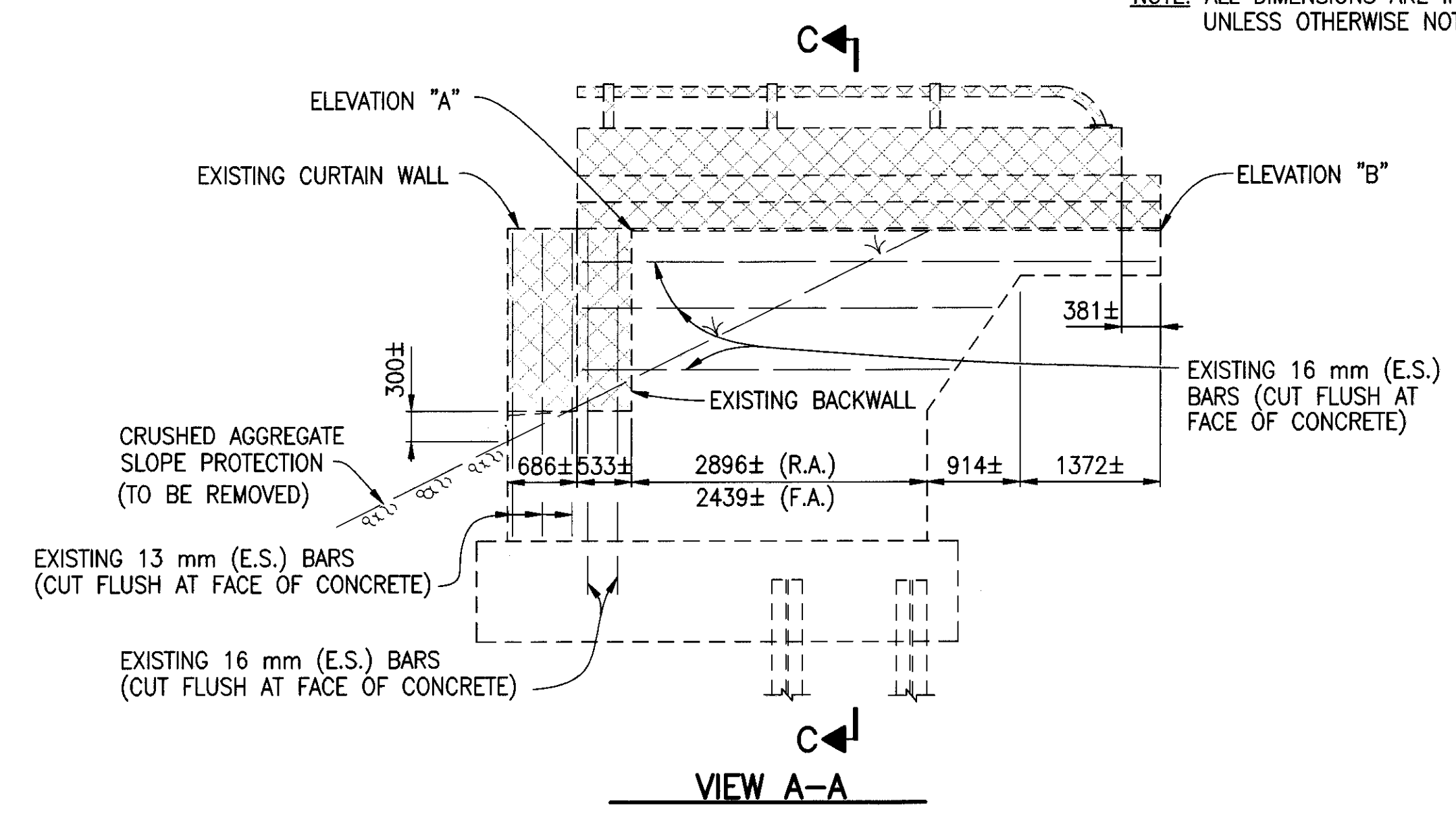
NOTE: ALL DIMENSIONS ARE IN MILLIMETERS UNLESS OTHERWISE NOTED.



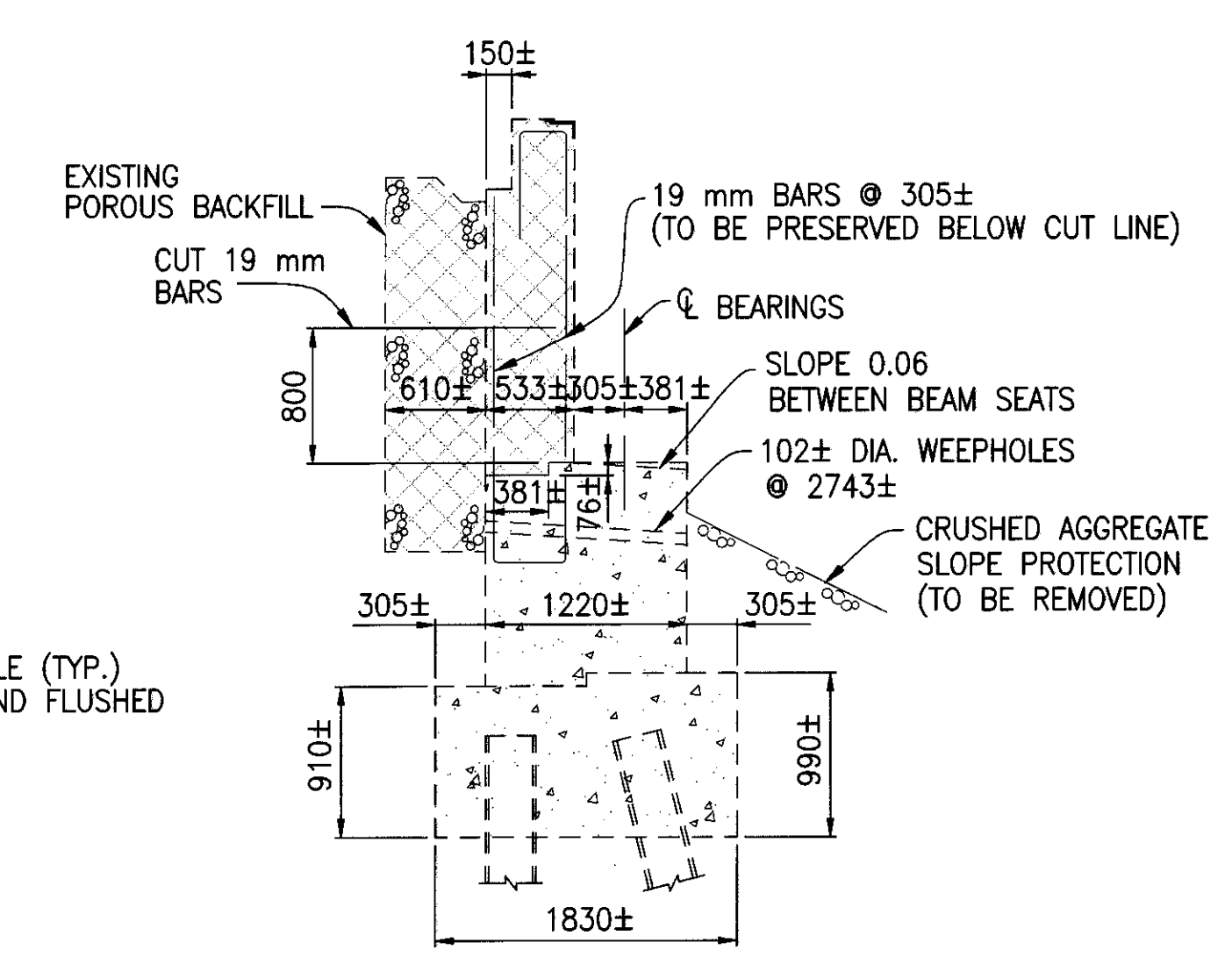
REAR ABUTMENT PLAN  
(NORTHBOUND BRIDGE LAK-90-23641)  
(FORWARD ABUTMENT OPPOSITE HAND)



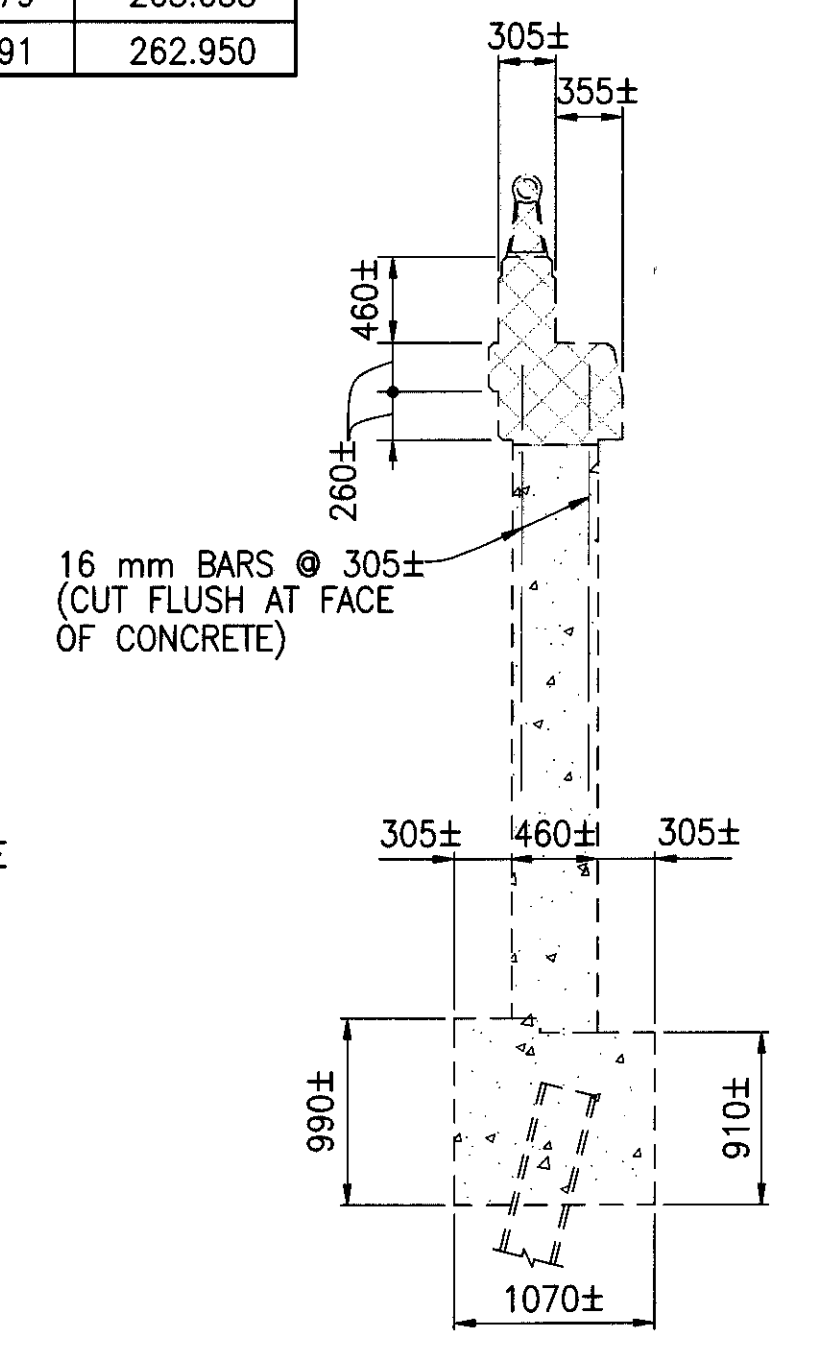
REAR ABUTMENT ELEVATION  
(NORTHBOUND BRIDGE LAK-90-23641)  
(FORWARD ABUTMENT OPPOSITE HAND)



WINGWALL REMOVAL ELEVATION TABLE			
LOCATION		ELEVATION "A"	ELEVATION "B"
REAR ABUTMENT	LEFT (WEST) WINGWALL	266.081	266.235
	RIGHT (EAST) WINGWALL	265.992	266.146
FORWARD ABUTMENT	LEFT (WEST) WINGWALL	263.179	263.038
	RIGHT (EAST) WINGWALL	263.091	262.950



SECTION B-B



SECTION C-C

LEGEND

- INDICATES PORTION OF STRUCTURE TO BE REMOVED.
- INDICATES APPROXIMATE LOCATION OF ITEM 519 PATCHING CONCRETE STRUCTURE, AS PER PLAN FOR UNIT SHOWN

NOTES

- NOTATION: E.S. - EACH SIDE  
R.A. - REAR ABUTMENT  
F.A. - FORWARD ABUTMENT

96161RE1.DWG  
JOB NO. 96161 DATE 8/23/99 DRAWN BY KHJPS,KAK,PH