

NOTE: ALL DIMENSIONS ARE IN MILLIMETERS UNLESS OTHERWISE NOTED.



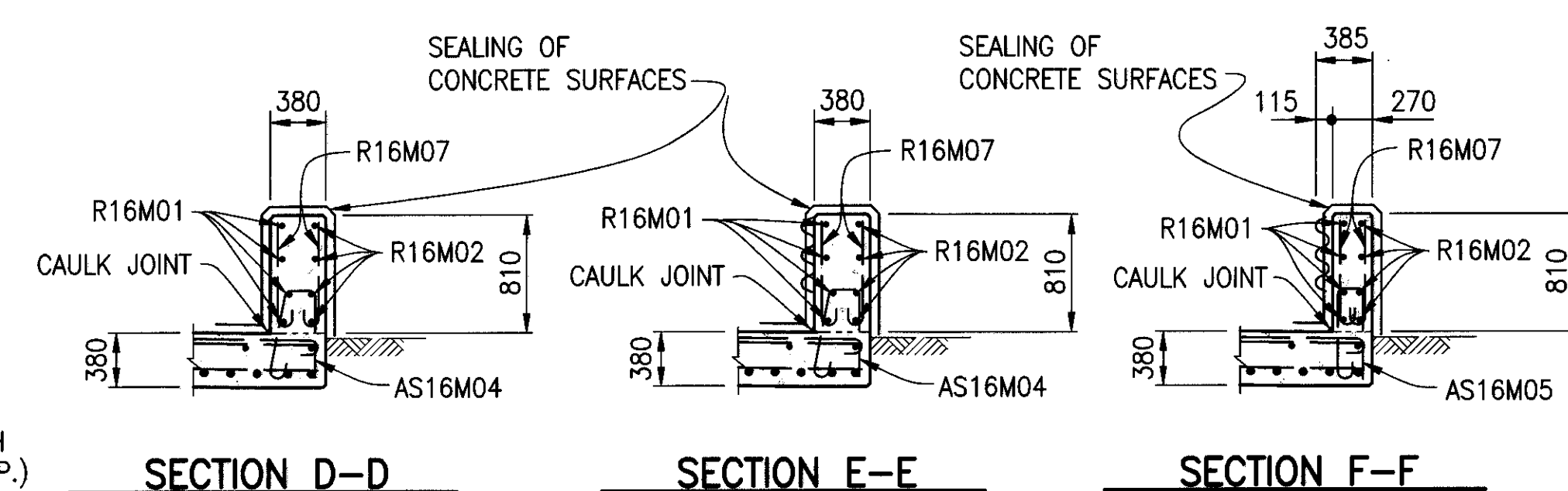
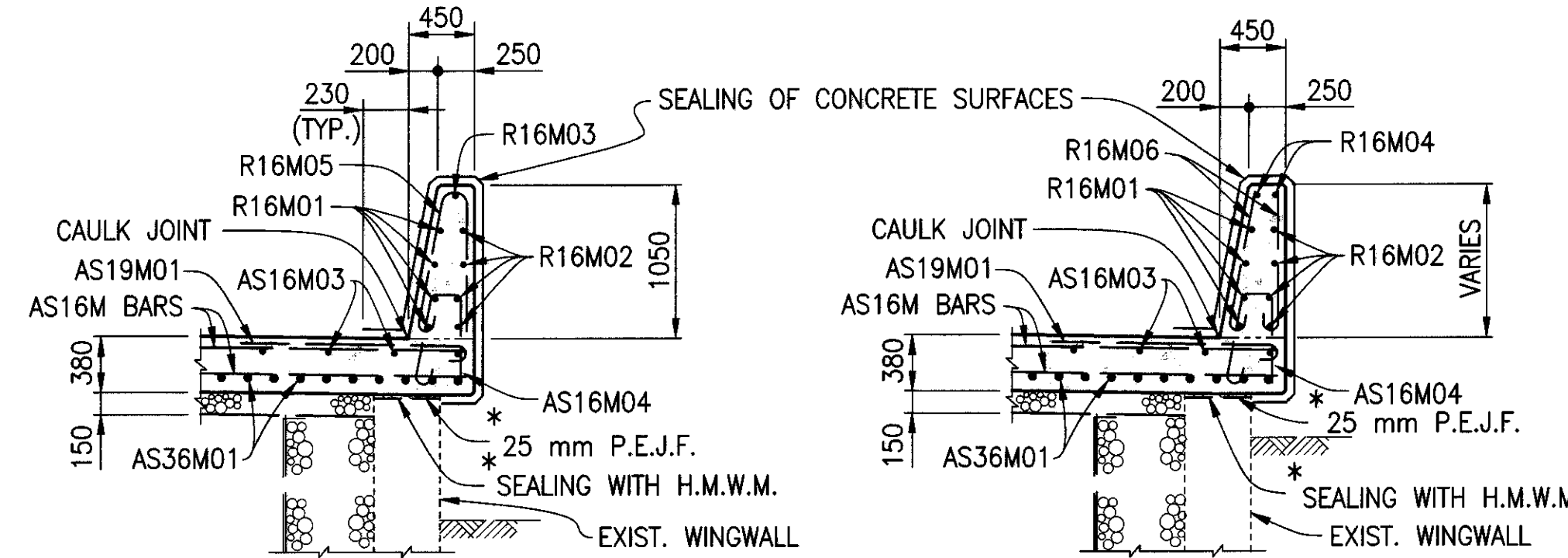
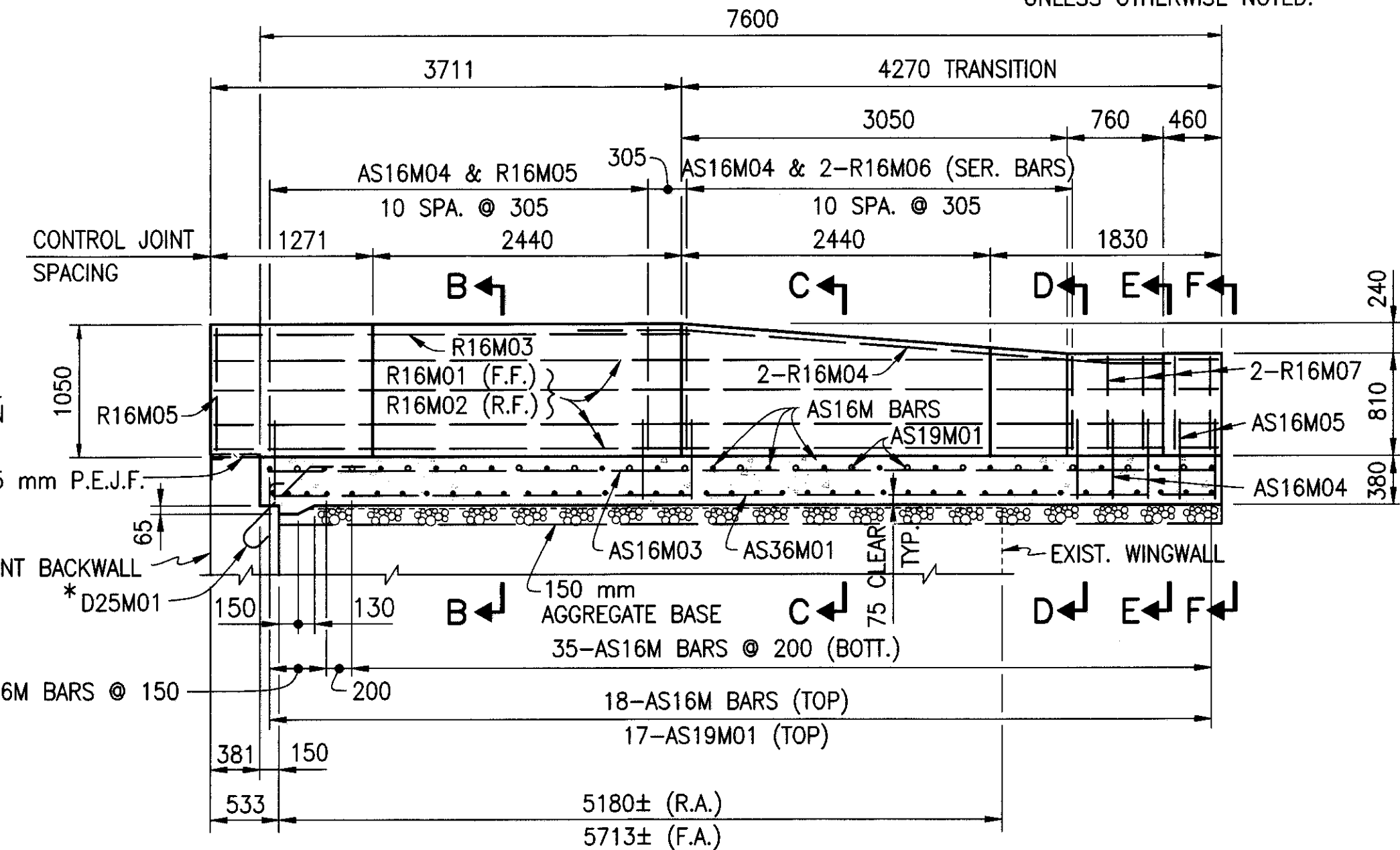
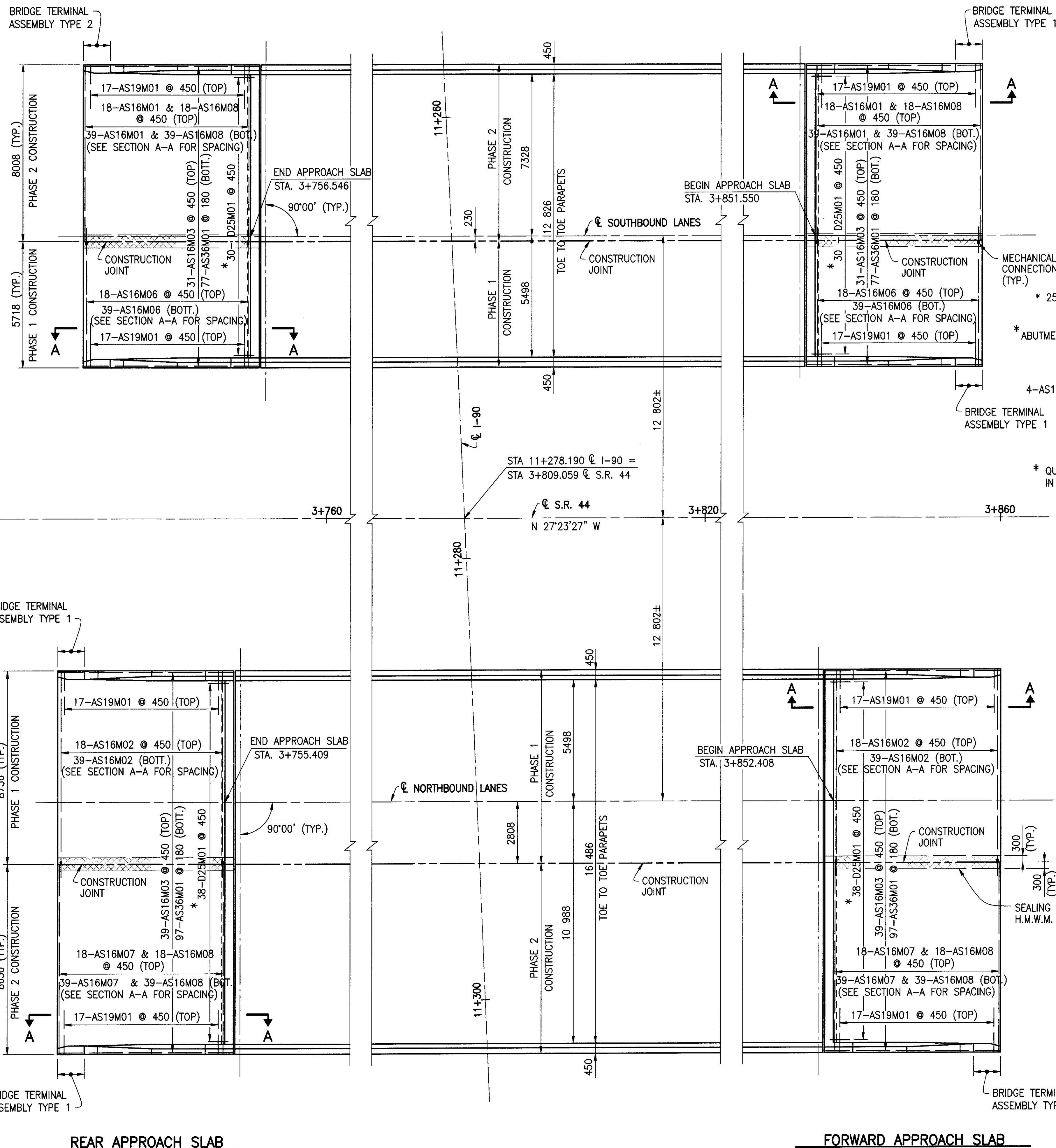
HORIZONTAL SCALE IN METERS

CALCULATED EEL 9/99 CHECKED DAW 9/99

APPROACH SLAB DETAILS

LAK-90-23.609/23.641

23  
41



**NOTES:**

**NOTATION:** F.F. - FRONT FACE R.F. - REAR FACE  
P.E.J.F. - PREFORMED EXPANSION JOINT FILLER  
H.M.W.M. - HIGH MOLECULAR WEIGHT METHACRYLATE

**REINFORCING SPLICE LENGTH** SHALL BE 560 mm FOR 16M BARS.

**APPROACH SLAB REINFORCING STEEL:** SEE SHEET 18/18.

**MECHANICAL CONNECTION AND CONTROL JOINT:** SEE SHEET 17/18.

**CAULKING MATERIAL** SHALL CONFORM TO FEDERAL SPECIFICATION TT-S-00227E.

**BRIDGE TERMINAL ASSEMBLY:** SEE STANDARD CONSTRUCTION DRAWING GR-3.1M AND GR-3.2M.

**SEE STANDARD DRAWING AS-1-81M** SHEET 1 OF 3 FOR ADDITIONAL DETAILS AND NOTES.

**PAYMENT:** PAYMENT FOR CONSTRUCTION JOINT SEALING, PARAPETS AND SEALING OF CONCRETE SURFACES TO BE INCLUDED IN THE UNIT PRICE BID FOR ITEM 611 - REINFORCED CONCRETE APPROACH SLAB, AS PER PLAN.

96161AD.DWG  
JOB NO. 96161 DATE 8/23/99 DRAWN BY KH