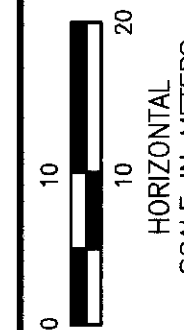


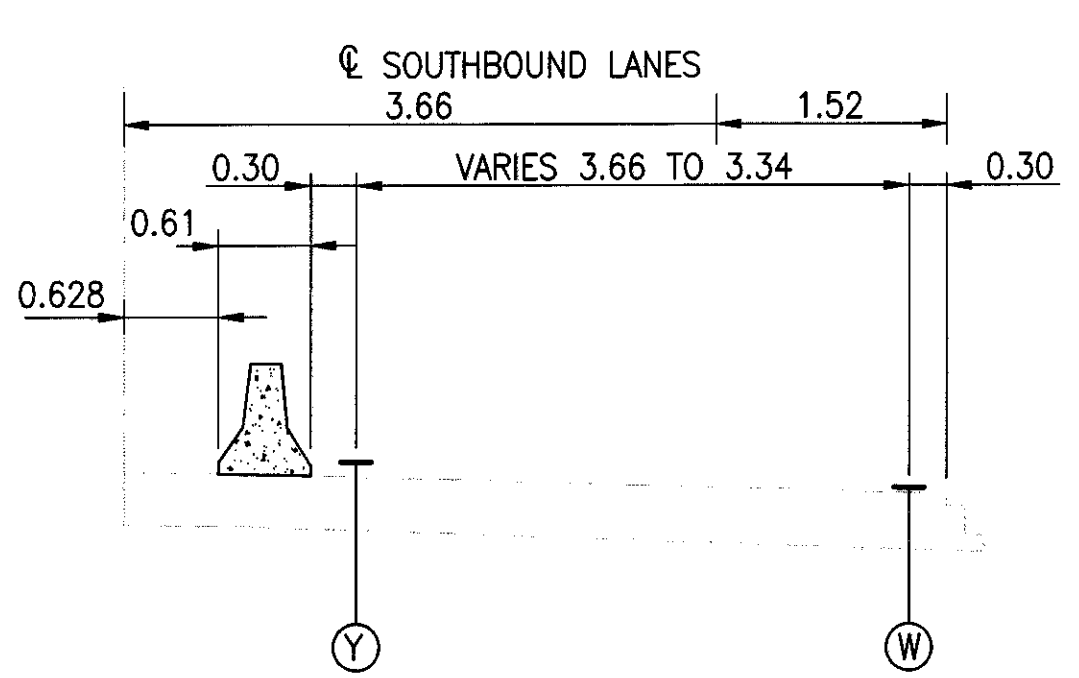
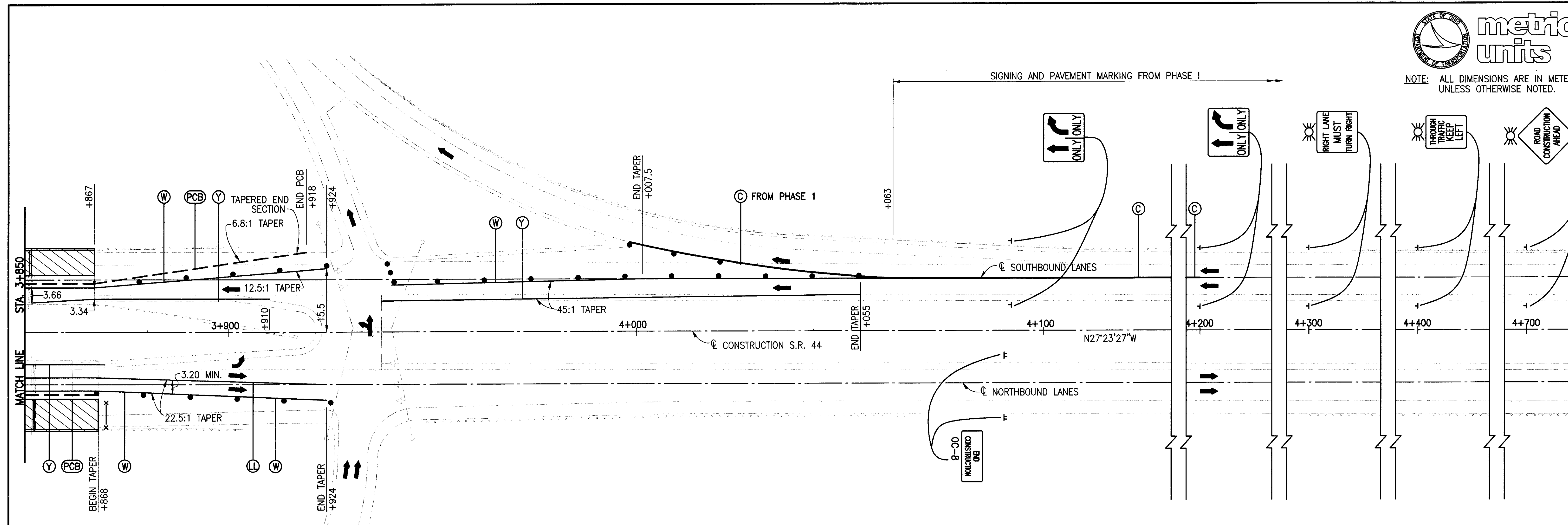
NOTE: ALL DIMENSIONS ARE IN METERS UNLESS OTHERWISE NOTED.



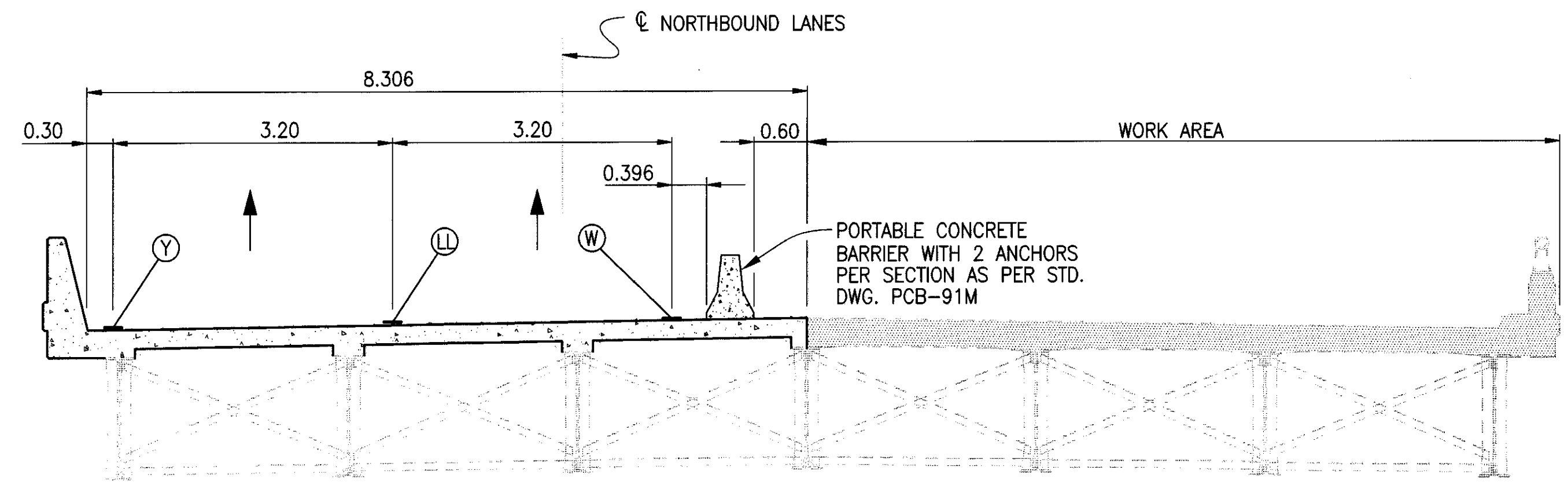
CALCULATED
EEL 9/99
CHECKED
DAW 9/99

MAINTENANCE OF TRAFFIC - PHASE I

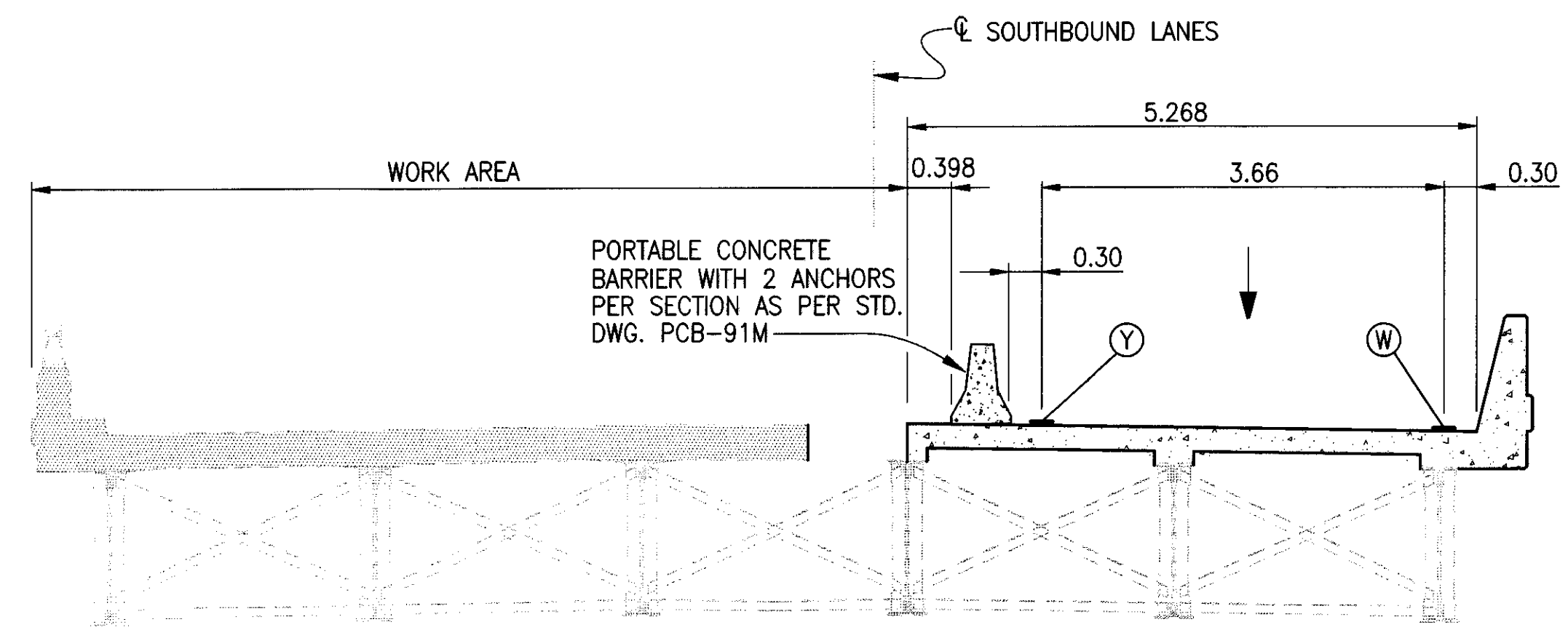
LAK-90-23.609/23.641



TYPICAL SECTION
STA 3+867 TO STA 3+924



TYPICAL SECTION NORTHBOUND BRIDGE



TYPICAL SECTION SOUTHBOUND BRIDGE

LEGEND

- PORTABLE CONCRETE BARRIER (PCB) WITH BARRIER REFLECTORS AND OBJECT MARKERS AS PER STD. DWG. MT-95.40M AND MT-102.10M.
- TEMPORARY EDGE LINE (Y) - YELLOW (W) - WHITE CLASS I, 740.06, TYPE I
- TEMPORARY LANE LINE, SOLID (LL) CLASS I, 740.06, TYPE I
- TEMPORARY CHANNELIZING LINE (C) CLASS I, 740.06, TYPE I
- [Hatched Box] WORK AREA
- [Signalized Intersection Symbol] SIGNALIZED INTERSECTION
- [X - X] BARRICADES (PORTABLE TYPE III)
- [Dotted Line] DENOTES DRUMS AS PER OMTCD-0.30 BACK OF EDGE LINE (11.5 SPACING)
- [Flashing Light Symbol] TYPE A FLASHING WARNING LIGHTS
- [Shaded Box] REMOVAL AREA

- (Y) 614 TEMPORARY EDGE LINE (YELLOW), CLASS I, 740.06, TYPE I
- (W) 614 TEMPORARY EDGE LINE (WHITE), CLASS I, 740.06, TYPE I

96161M2B.DWG
JOB NO. 96161 DATE 8/31/99 DRAWN BY SCB_SB_JPS_SAM_PH