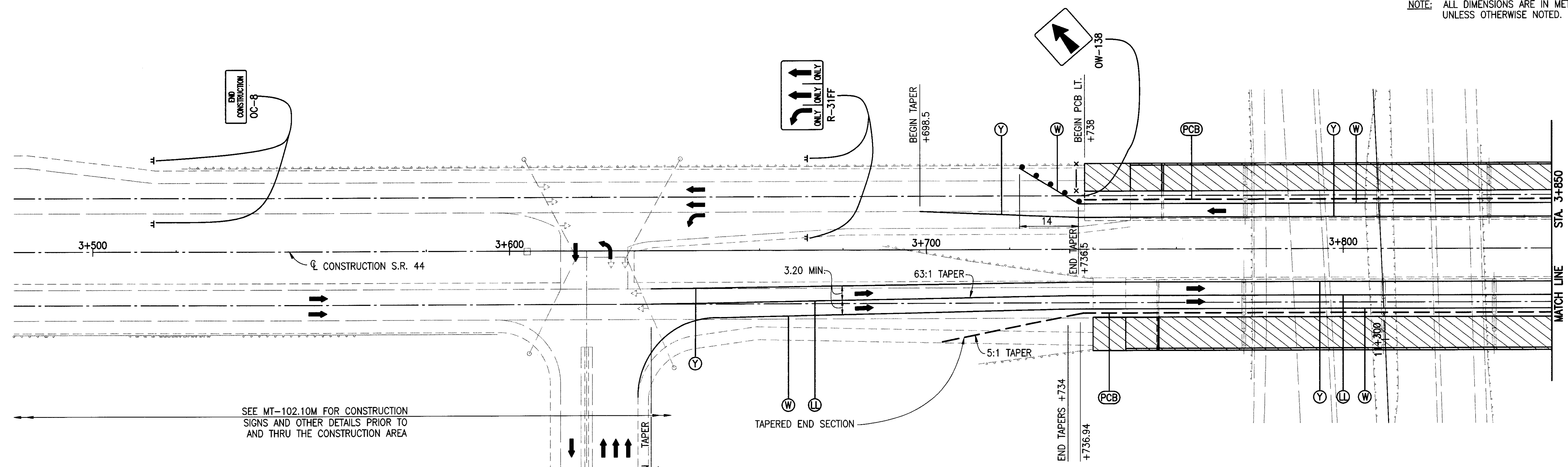




CALCULATED  
EEL 9/99  
CHECKED  
DAW 9/99

MAINTENANCE OF TRAFFIC - PHASE I I

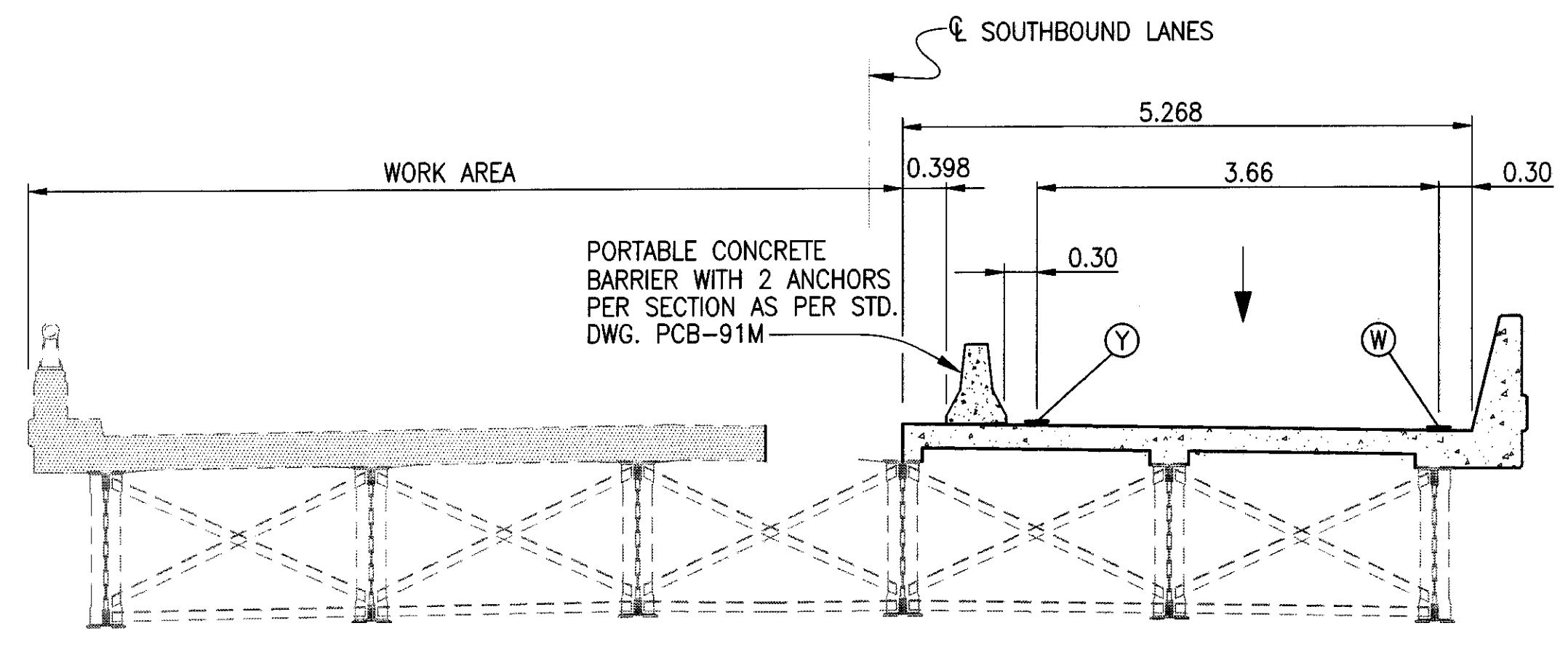
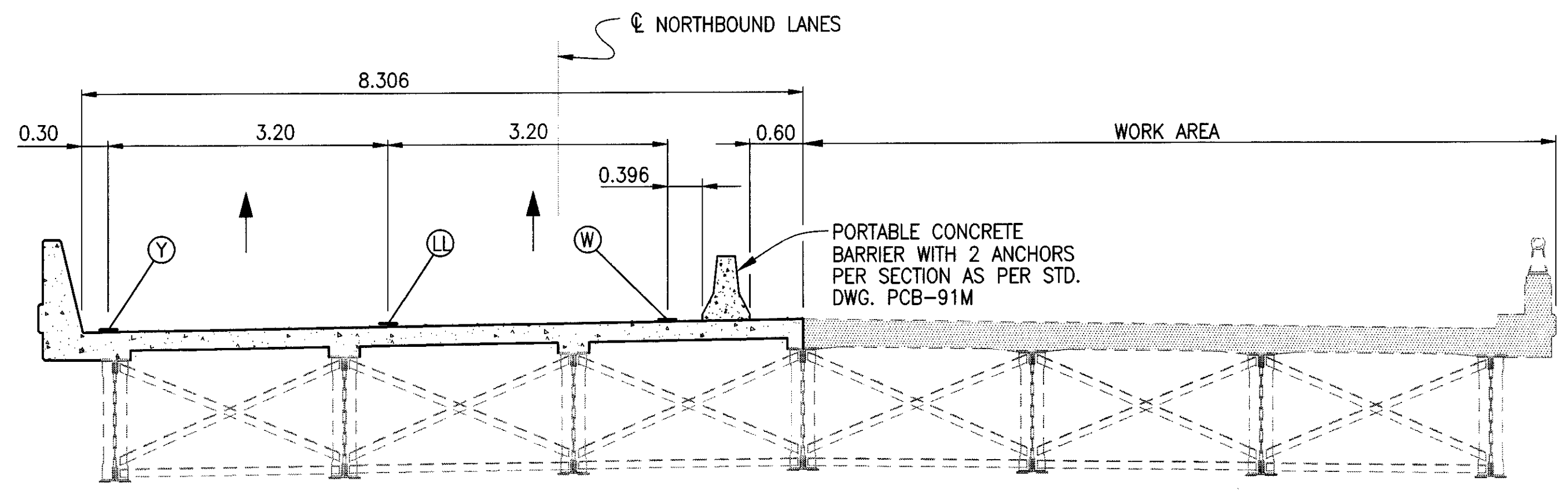
LAK-90-23.609/23.641



- PHASE II - CONSTRUCT THE OUTSIDE PORTION OF EACH BRIDGE**
- STEP 1: CONSTRUCT TEMPORARY PAVEMENT WHERE CALLED FOR ON THE PLANS.
  - STEP 2: ADJUST SIGNAL HEAD LOCATIONS, PLACE TEMPORARY PAVEMENT MARKINGS AND SIGNS, AND MOVE TRAFFIC TO THE INSIDE LANES USING THE INSIDE PAVEMENT, SHOULDER AND TEMPORARY PAVEMENT.
  - STEP 3: PLACE DRUMS AND CONCRETE BARRIER
  - STEP 4: REMOVE AND REPLACE REMAINING PORTION OF EXISTING DECKS, DESIGNATED CROSS MEMBERS, ASSOCIATED DRAINAGE ITEMS AND APPROACH SLABS.

**LEGEND**

- PORTABLE CONCRETE BARRIER (PCB) WITH BARRIER REFLECTORS AND OBJECT MARKERS AS PER STD. DWG. MT-95.40M AND MT-102.10M.
- TEMPORARY EDGE LINE (Y) - YELLOW (W) - WHITE CLASS I, 740.06, TYPE I
- TEMPORARY LANE LINE, SOLID (LL) CLASS I, 740.06, TYPE I
- TEMPORARY CHANNELIZING LINE (C) CLASS I, 740.06, TYPE I
- [Hatched Box] WORK AREA
- [Downward Arrow] SIGNALIZED INTERSECTION
- [X-X] BARRICADES (PORTABLE TYPE III)
- [Dotted Line] DENOTES DRUMS AS PER OMTCD-0.30 BACK OF EDGE LINE (11.5 SPACING)
- [Flashing Light Symbol] TYPE A FLASHING WARNING LIGHTS
- [Shaded Box] REMOVAL AREA



96161M2A.DWG  
JOB NO. 96161 DATE 9/6/99 DRAWN BY SCB,SB,IPS,SAM,PH,SJK,PH