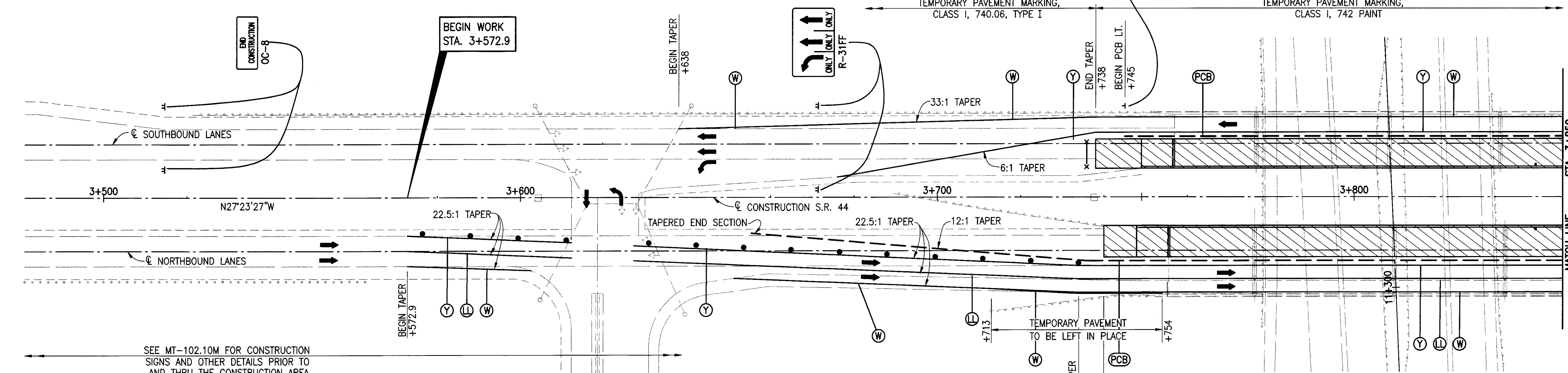
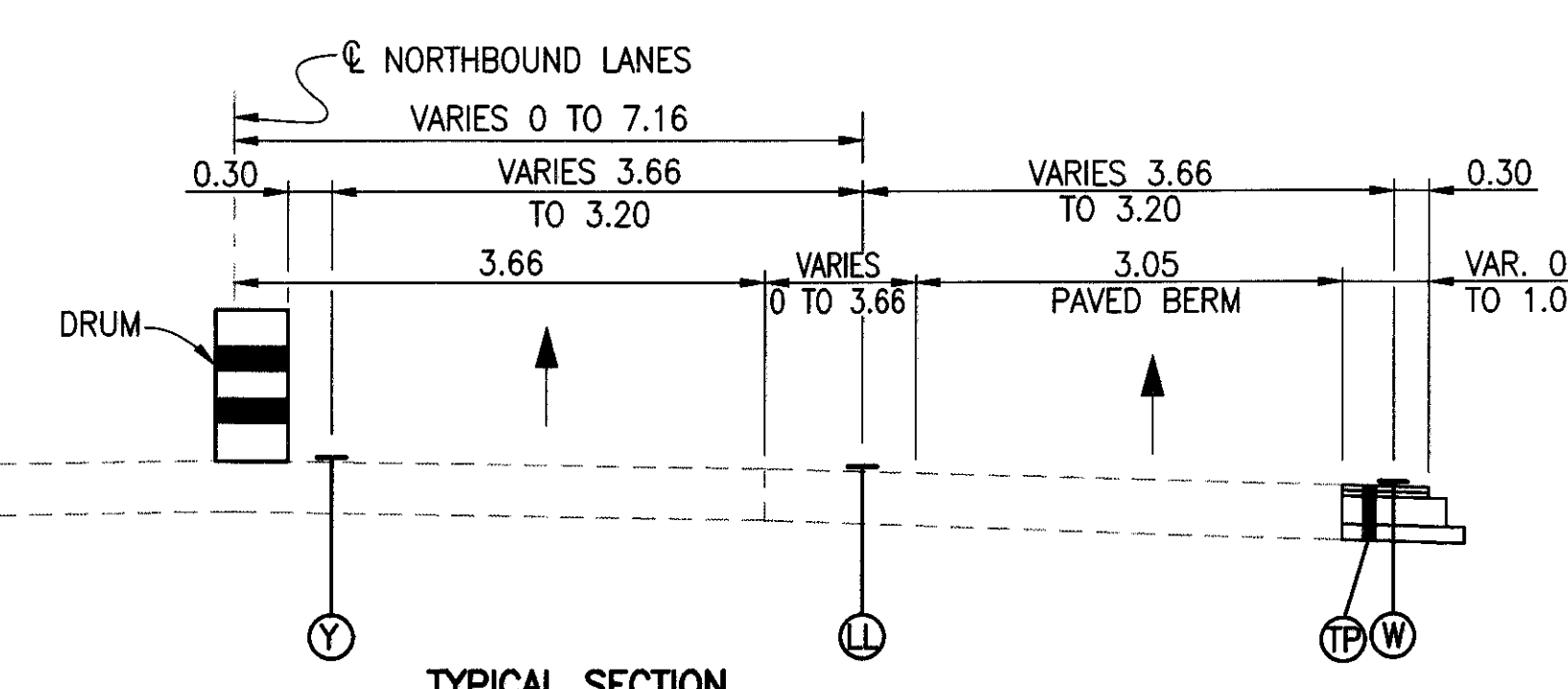


CALCULATED  
EEL 9/99  
CHECKED  
DAW 9/99



SEE MT-102.10M FOR CONSTRUCTION SIGNS AND OTHER DETAILS PRIOR TO AND THRU THE CONSTRUCTION AREA



TYPICAL SECTION

STA. 3+640 TO STA. 3+679.5

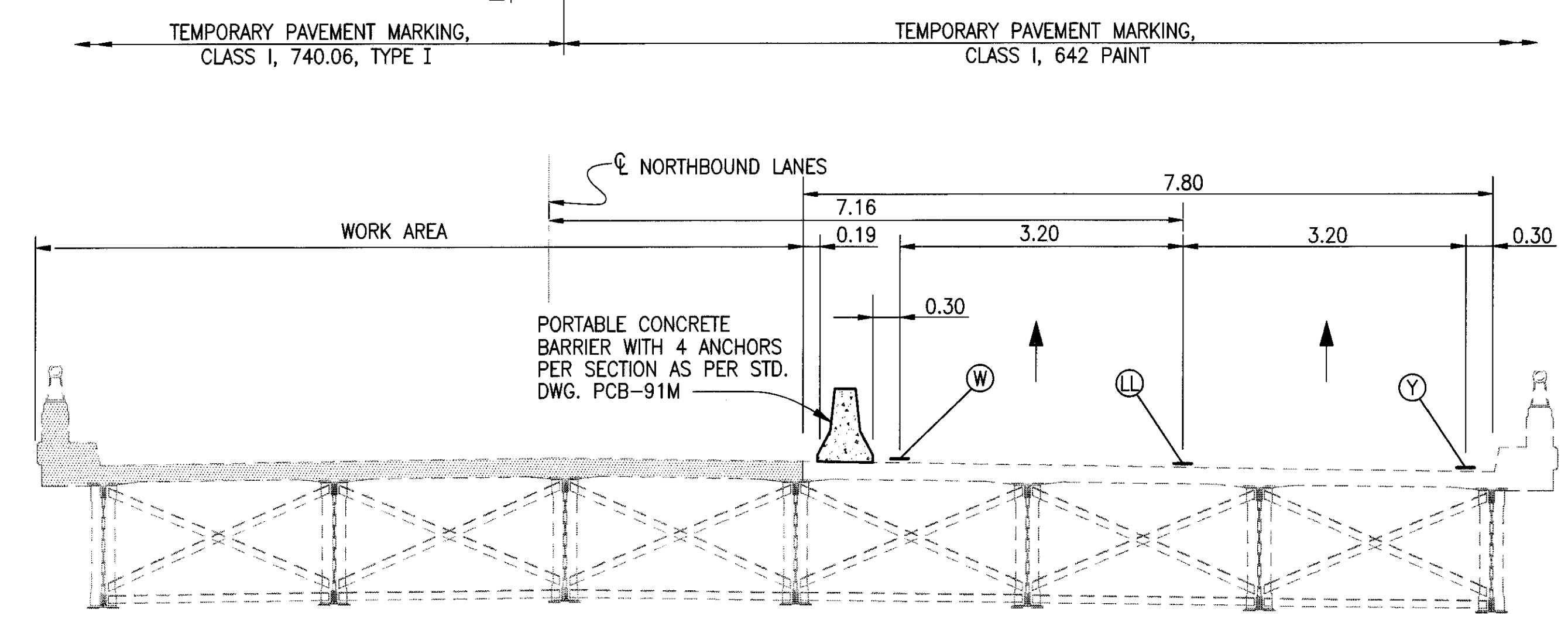
- (Y) 614 TEMPORARY EDGE LINE (YELLOW), CLASS I, 740.06, TYPE I
- (L) 614 TEMPORARY LANE LINE, SOLID, CLASS I, 740.06, TYPE I
- (TP) 615 TEMPORARY PAVEMENT, CLASS B-STATION 3+713 TO STATION 3+754
- (W) 614 TEMPORARY EDGE LINE (WHITE), CLASS I, 740.06, TYPE I

LEGEND

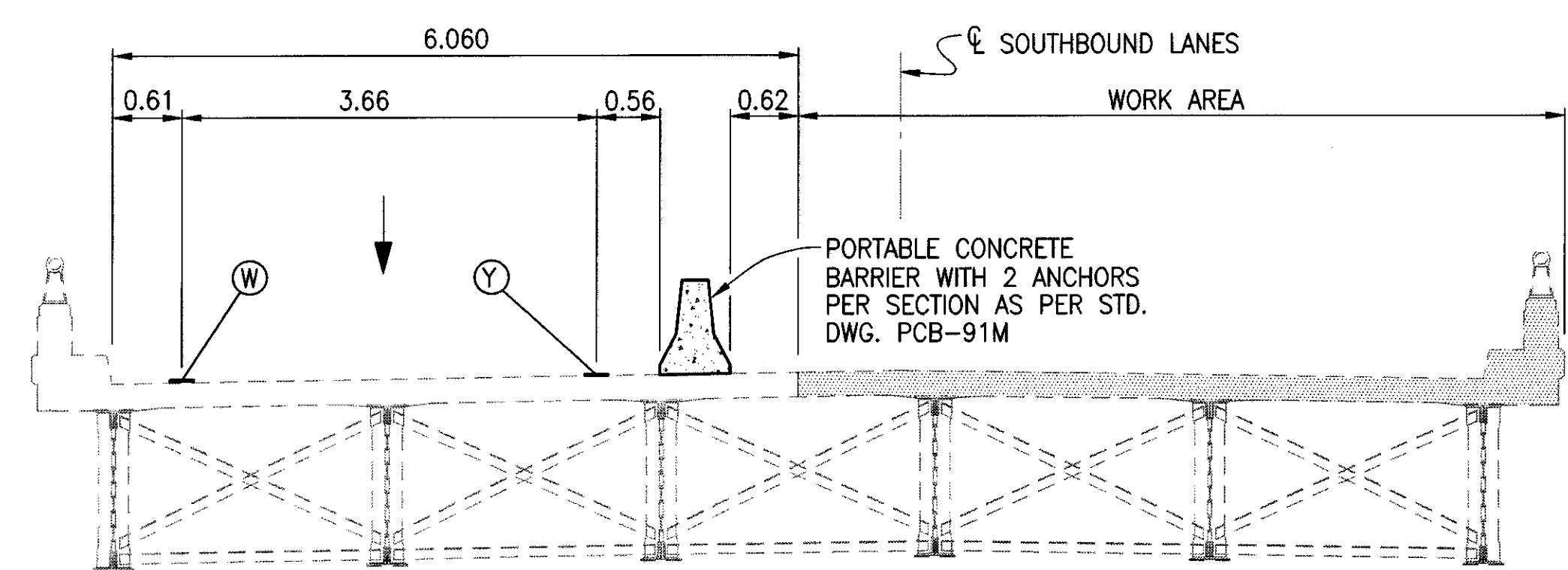
- TEMPORARY PAVEMENT TO BE LEFT IN PLACE
- PORTABLE CONCRETE BARRIER (PCB) WITH BARRIER REFLECTORS AND OBJECT MARKERS AS PER STD. DWG. MT-95.40M AND MT-102.10M.
- TEMPORARY EDGE LINE (Y) - YELLOW (W) - WHITE
- TEMPORARY LANE LINE, SOLID (L)
- TEMPORARY CHANNELIZING LINE (C)
- WORK AREA
- SIGNALIZED INTERSECTION
- BARRICADES (PORTABLE TYPE III)
- DENOTES DRUMS AS PER OMUTCD-0.30 BACK OF EDGE LINE (11.5 SPACING)
- TYPE A FLASHING WARNING LIGHTS
- REMOVAL AREA

PHASE I - CONSTRUCT THE INSIDE PORTION OF EACH BRIDGE

- STEP 1: CONSTRUCT TEMPORARY PAVEMENT WHERE CALLED FOR ON THE PLANS.
- STEP 2: ADJUST SIGNAL HEAD LOCATIONS, PLACE TEMPORARY PAVEMENT MARKINGS AND SIGNS, AND MOVE TRAFFIC TO THE OFFSET LOCATION ON THE OUTSIDE LANES, PAVED SHOULDER AND TEMPORARY PAVEMENT.
- STEP 3: PLACE DRUMS AND CONCRETE BARRIER
- STEP 4: REMOVE AND REPLACE DESIGNATED PORTION OF EXISTING DECKS, CROSS MEMBERS, ASSOCIATED DRAINAGE ITEMS AND APPROACH SLABS.



TYPICAL SECTION NORTHBOUND BRIDGE



TYPICAL SECTION SOUTHBOUND BRIDGE

96161A.DWG JOB NO. 96161 DATE 8/31/99 DRAWN BY SCB,SB,UPS,SAM,PH,SJK