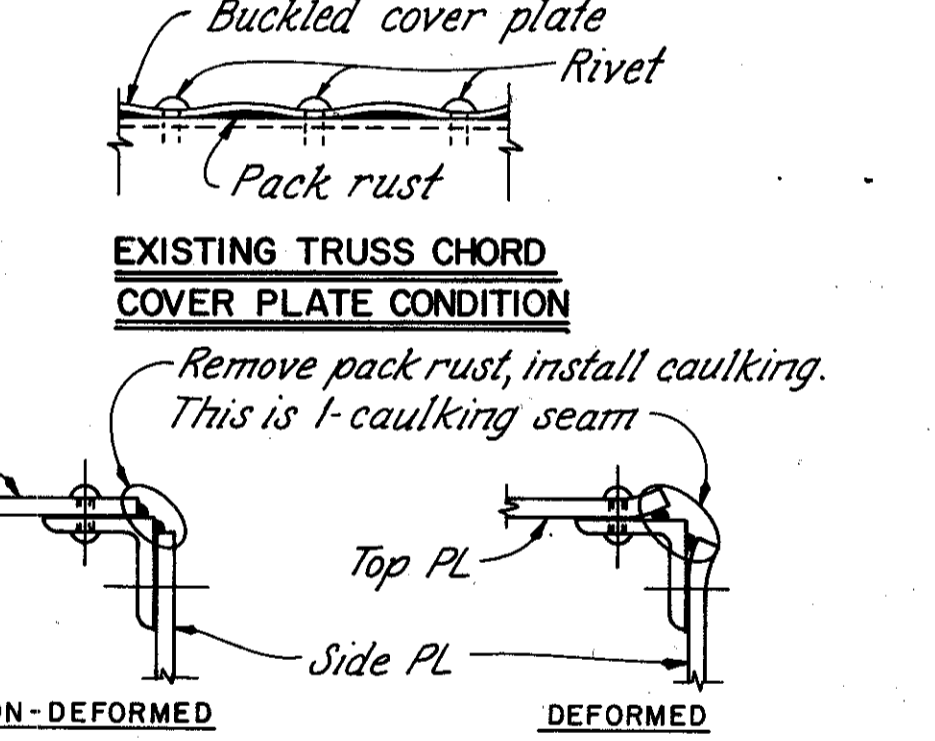
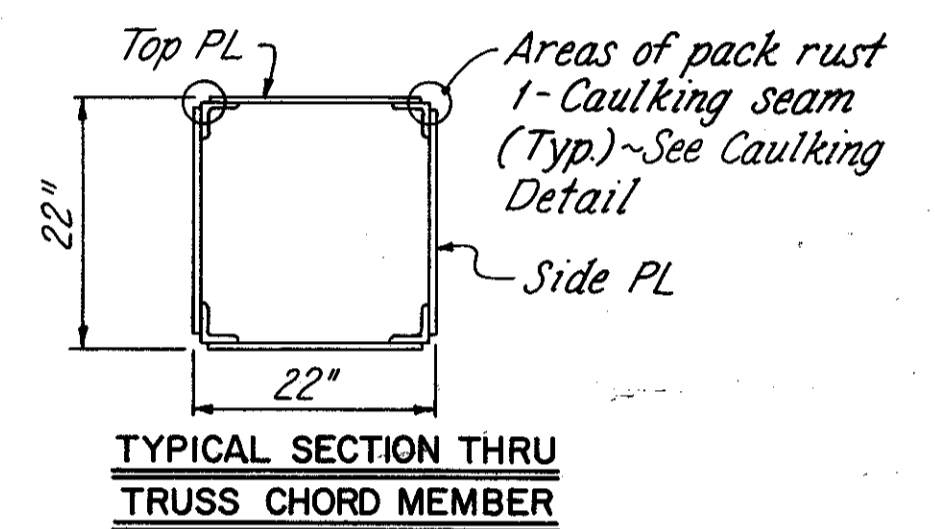
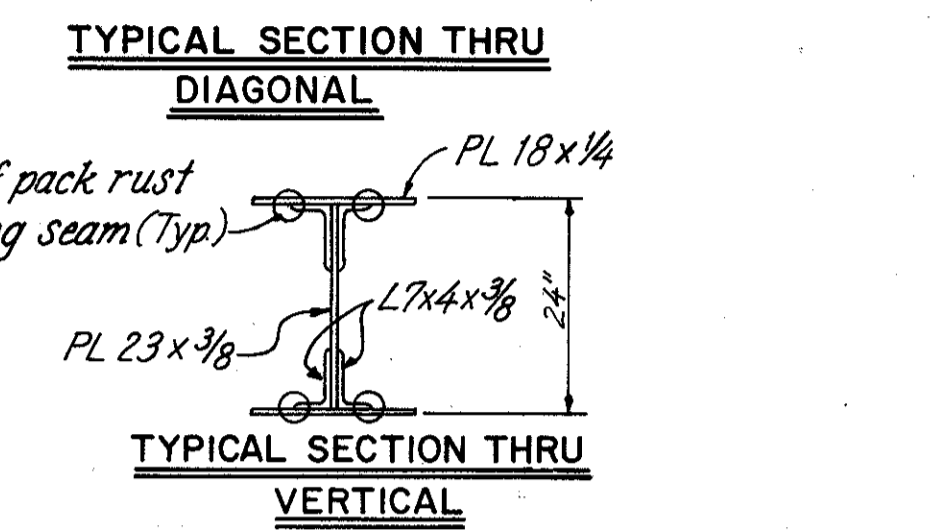
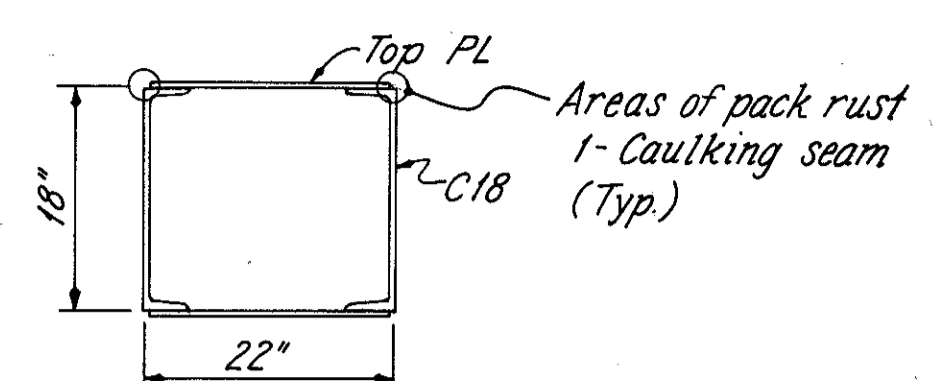
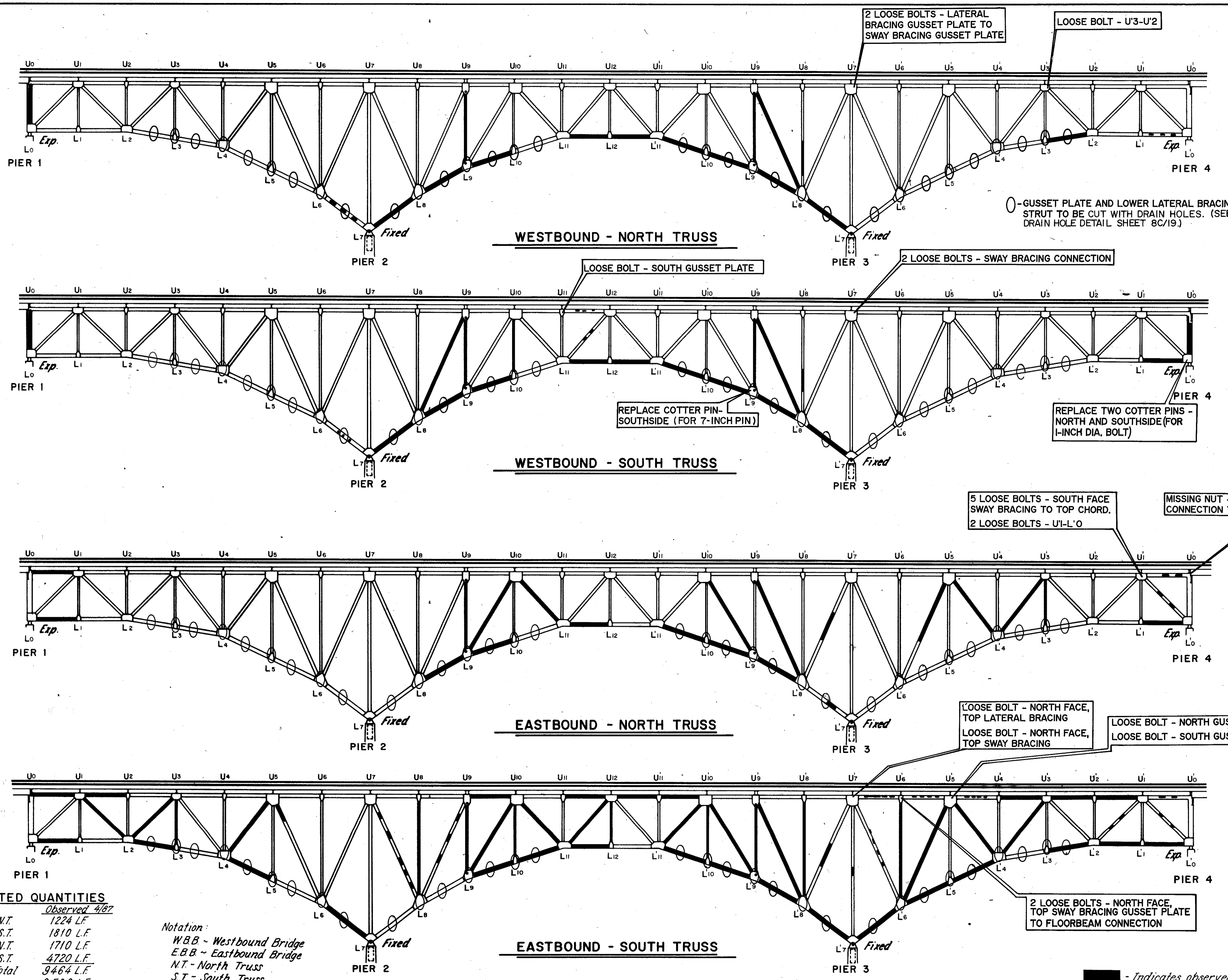


LAKE COUNTY
LAK-90-23.42 (L & R)



NOTES

SEALING: Flange joints of vertical truss members and upper joints of diagonal chords to be caulked their full lengths.

CAULKING OF TRUSS MEMBERS: See Note on sheet 4/19.

PAINTING: All members of trusses, bracing, floorbeams and approach spans are to be painted. See note on sheet 4/19.

ESTIMATED QUANTITIES

	Observed 4/87
W.B.B. N.T.	1224 L.F.
W.B.B. S.T.	1810 L.F.
E.B.B. N.T.	1710 L.F.
E.B.B. S.T.	4720 L.F.
Sub-Total	9464 L.F.
Contingency	936 L.F.
Total	19,000 L.F.

Notation:
W.B.B. - Westbound Bridge
E.B.B. - Eastbound Bridge
N.T. - North Truss
S.T. - South Truss

■ - Indicates observed areas of pack rust in April 1987.

REVISED 11-19-90
19/19

REL RICHLAND ENGINEERING LIMITED
MANSFIELD, OHIO

**TRUSS CHORD CAULKING,
BOLT AND COTTER PIN REPLACEMENT
BRIDGE NO. LAK-90-2342 (L & R)
OVER THE GRAND RIVER**

DESIGNED	DRAWN	TRACED	CHECKED	REVIEWED	DATE	REVISED
DHT	TWH	TWH	DT	DAP	9/13/89	0, D.O.T. 9/12 9/12/90

LAKE COUNTY 1.90