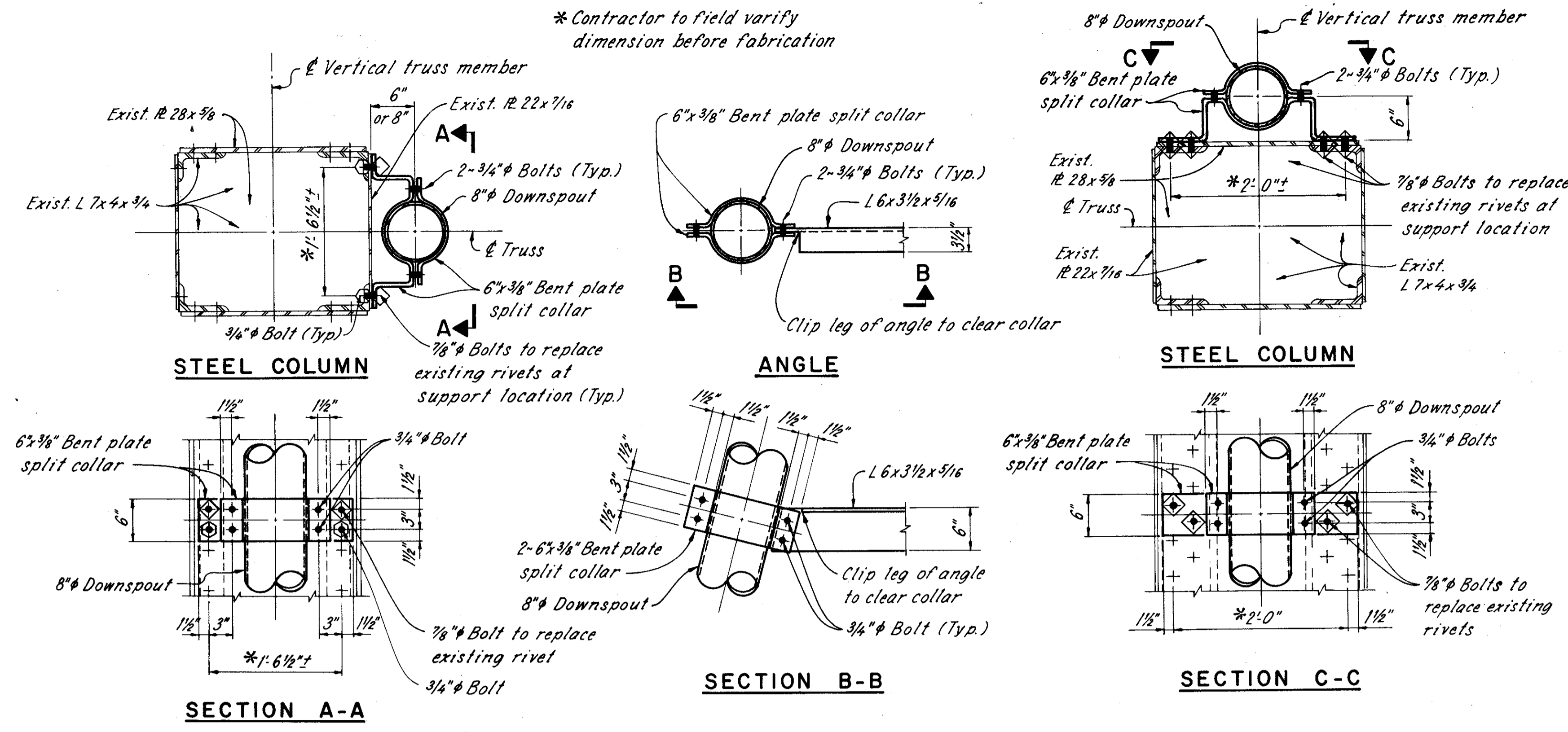
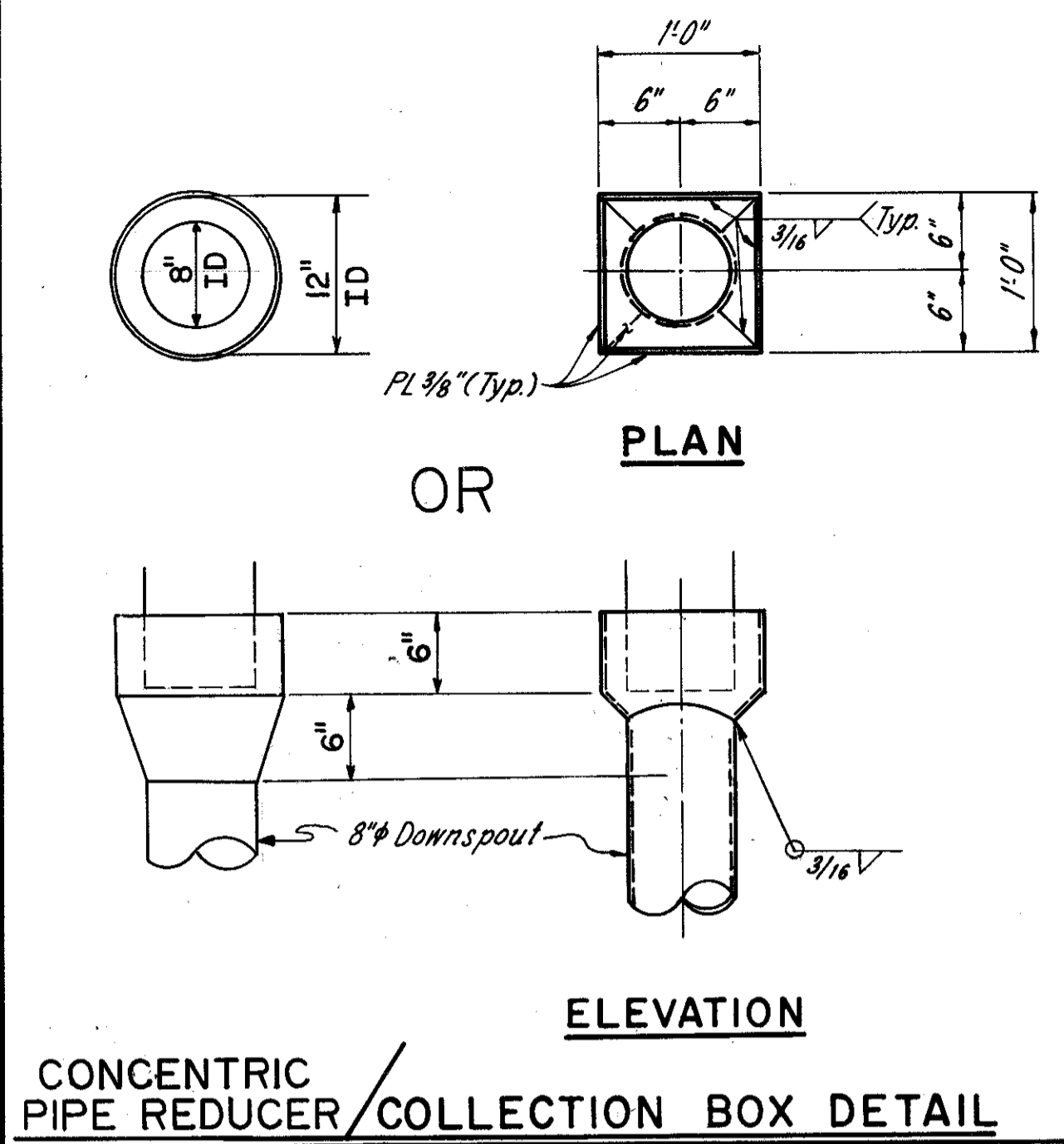


FHWA REGION	STATE	PROJECT	
5	OHIO		

37
38

LAKE COUNTY
LAK-90-23.42 (L & R)



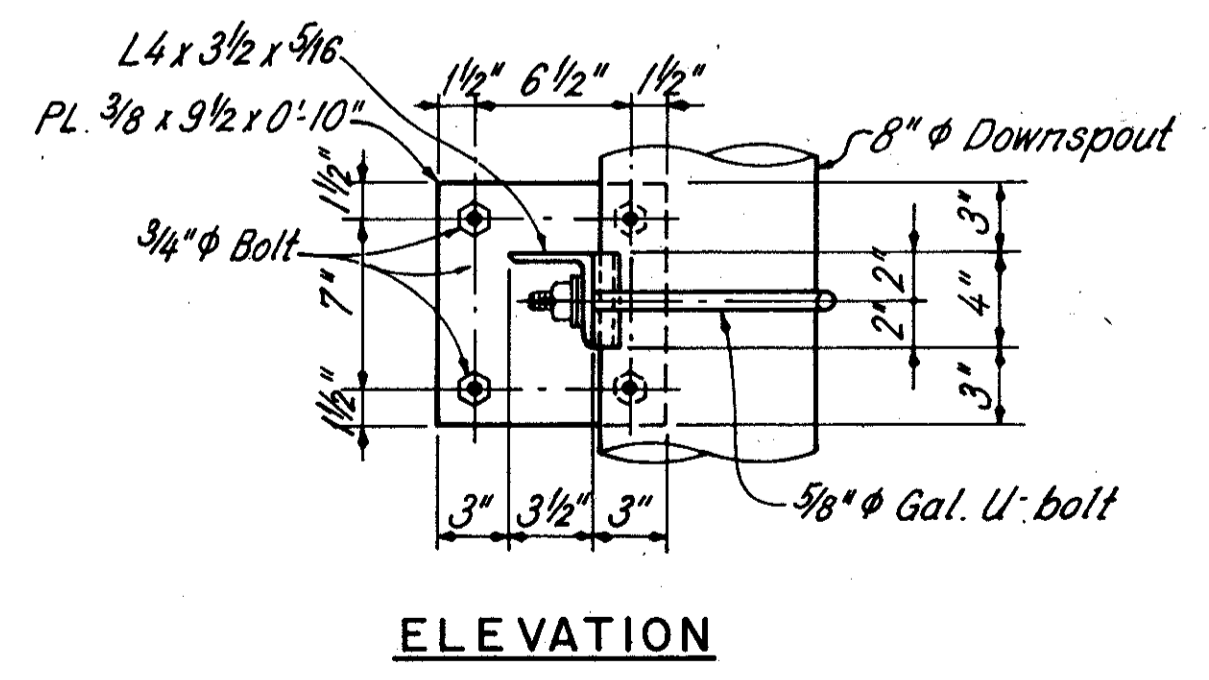
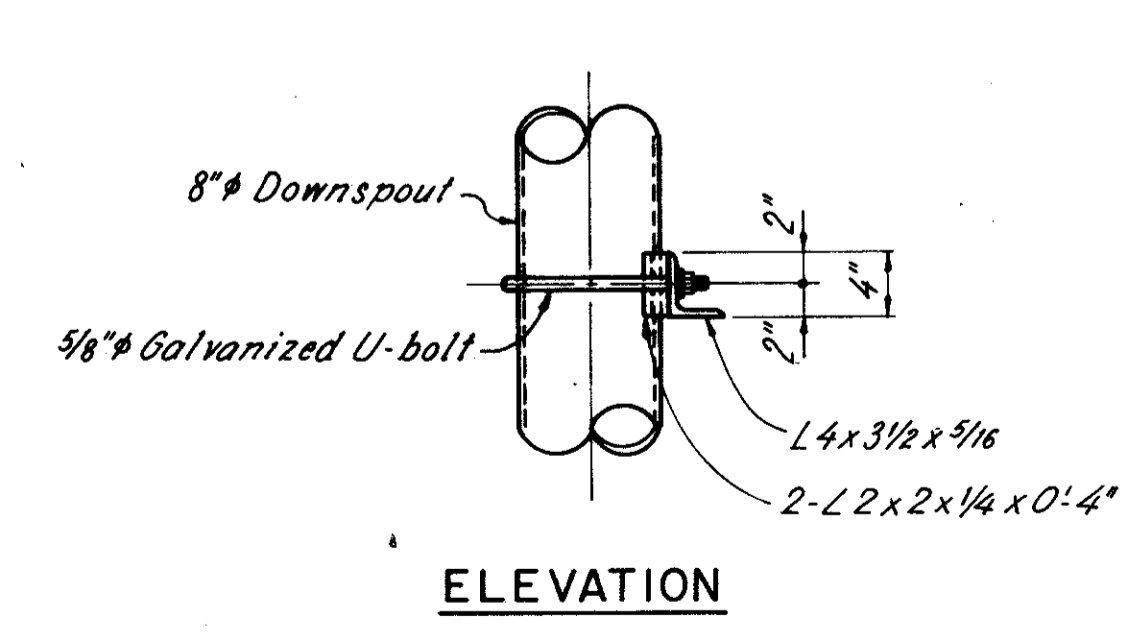
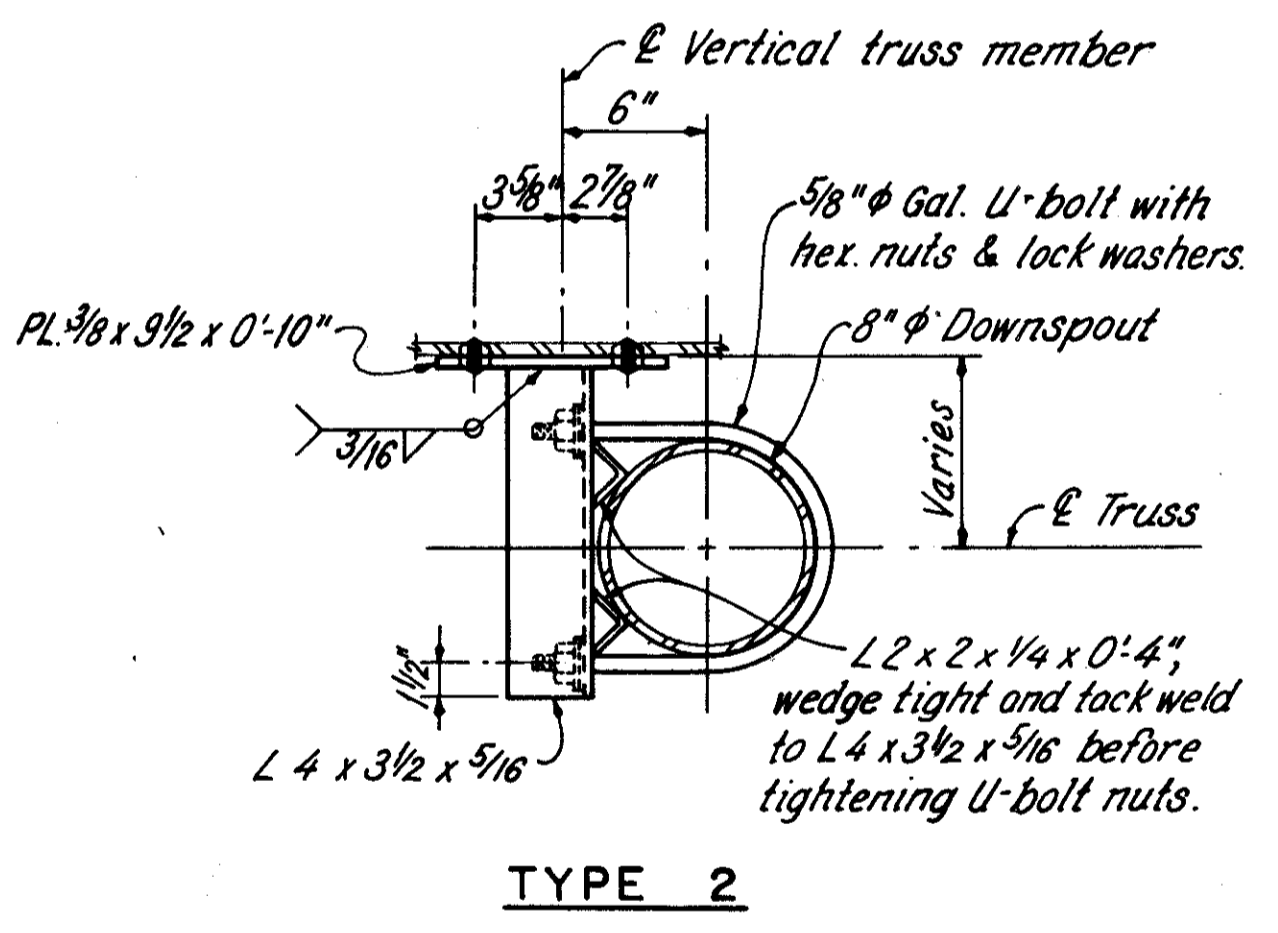
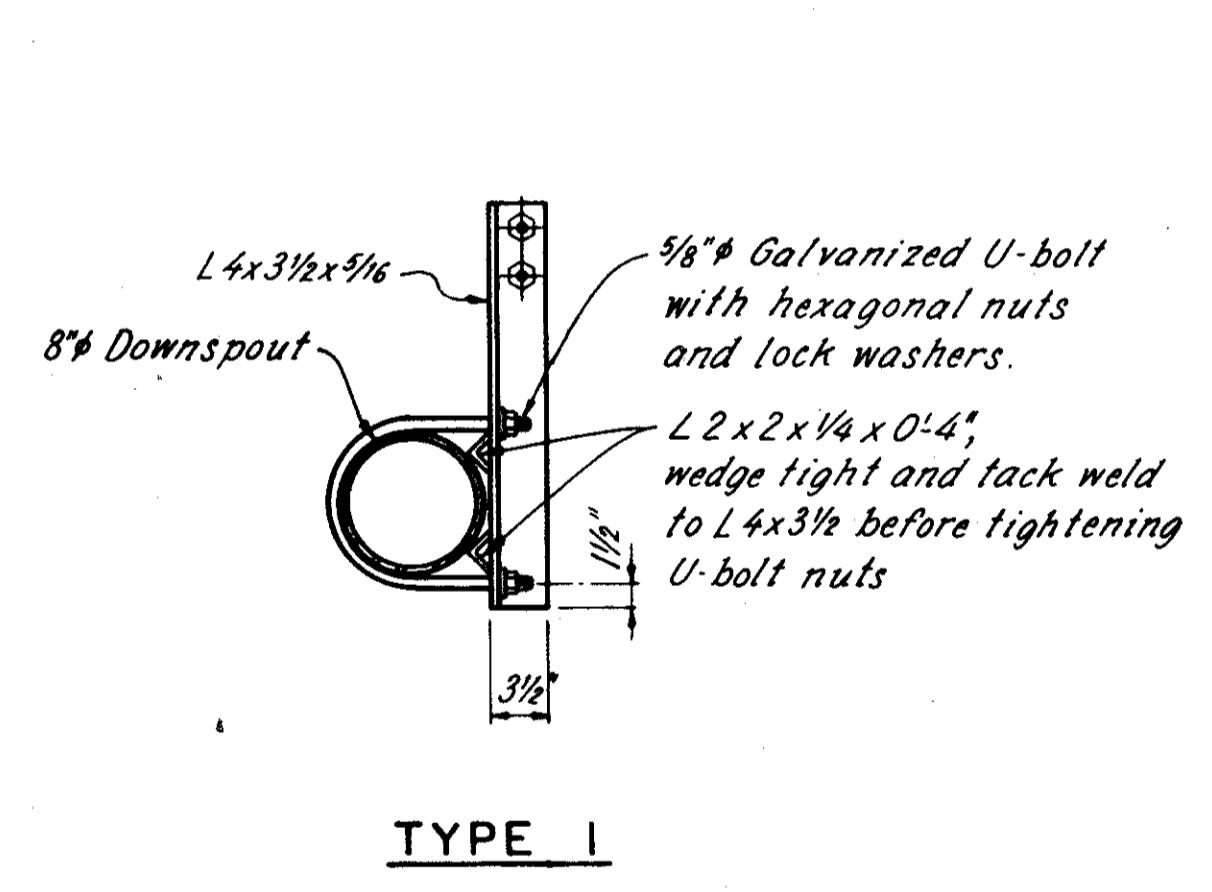
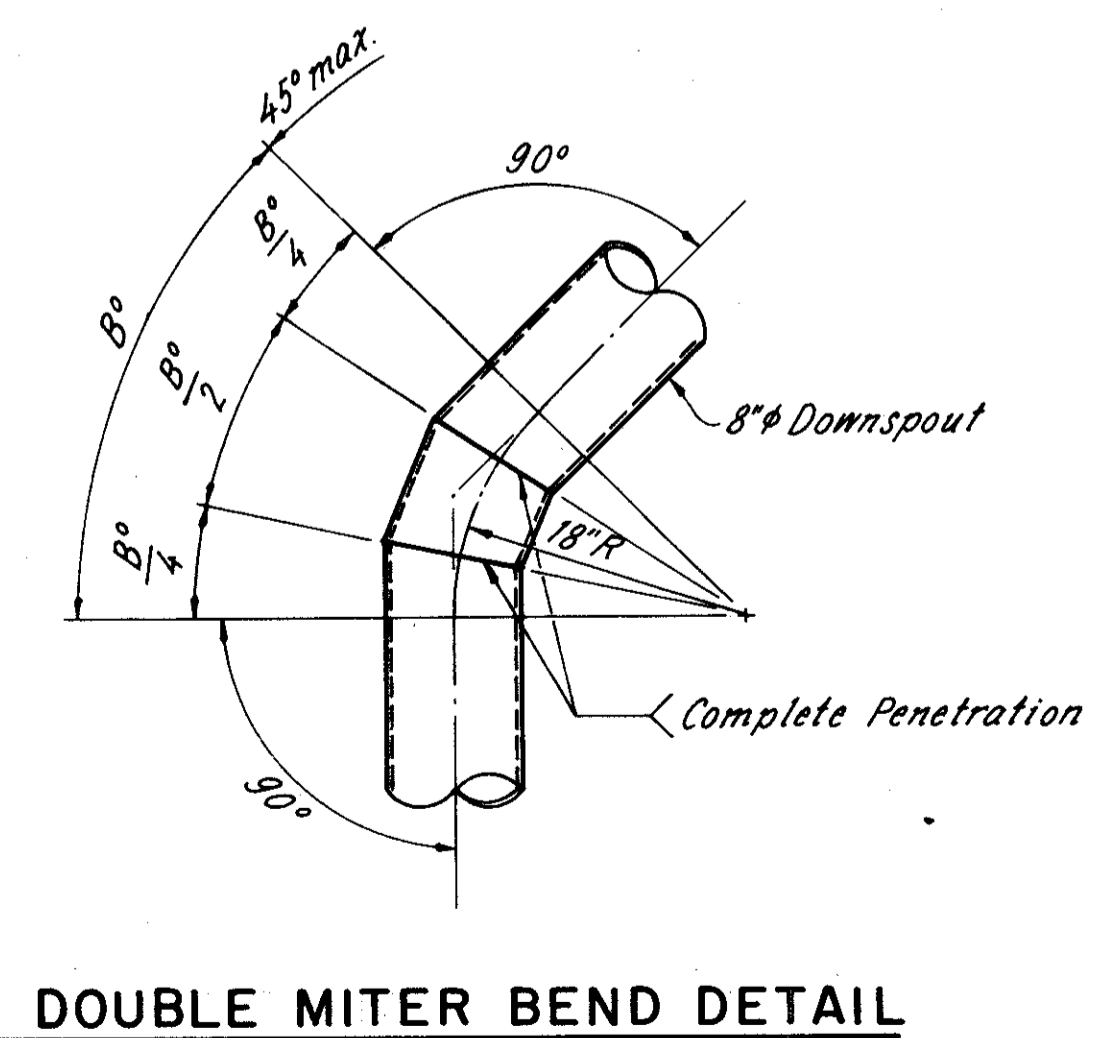
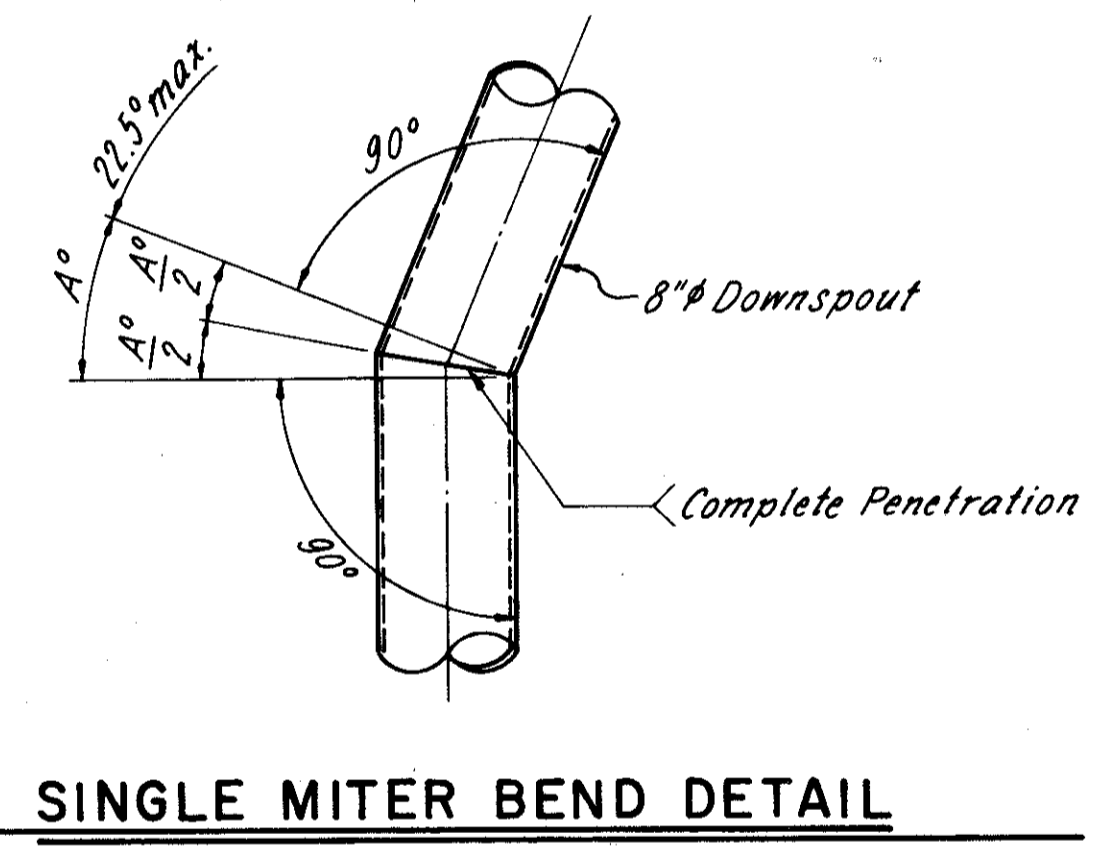
NOTES

BOLT LEGEND: See sheet 2/19.

DOWNSPOUTS shall be standard weight (18.97 p.l.f.) schedule 40, 8" diameter steel pipe with a wall thickness of 0.280". Bends shall be made with full penetration butt welds. Field splices in the downspouts shall be Victaulic coupling Style 99, Dresser coupling Style 38 or equal.

MATERIALS for collection boxes, downspouts, support brackets, couplings and all hardware shall be galvanized per 711.02, after fabrication.

PAYMENT: Downspouts, support brackets, hardware, field splices and collection boxes are included with Item 518- 8" Pipe downspout, galvanized steel 707.08, including specials and supports.



DOWNSPOUT BRACKET DETAILS

REL RICHLAND ENGINEERING LIMITED
MANSFIELD, OHIO

DOWNSPOUT DETAILS
SUPERSTRUCTURE
BRIDGE NO. LAK-90-2342 (L&R)
OVER THE GRAND RIVER

DESIGNED	DRAWN	TRACED	CHECKED	REVIEWED	DATE	REVISED
DHT	KH	KH	DT	DAP	9/13/89	