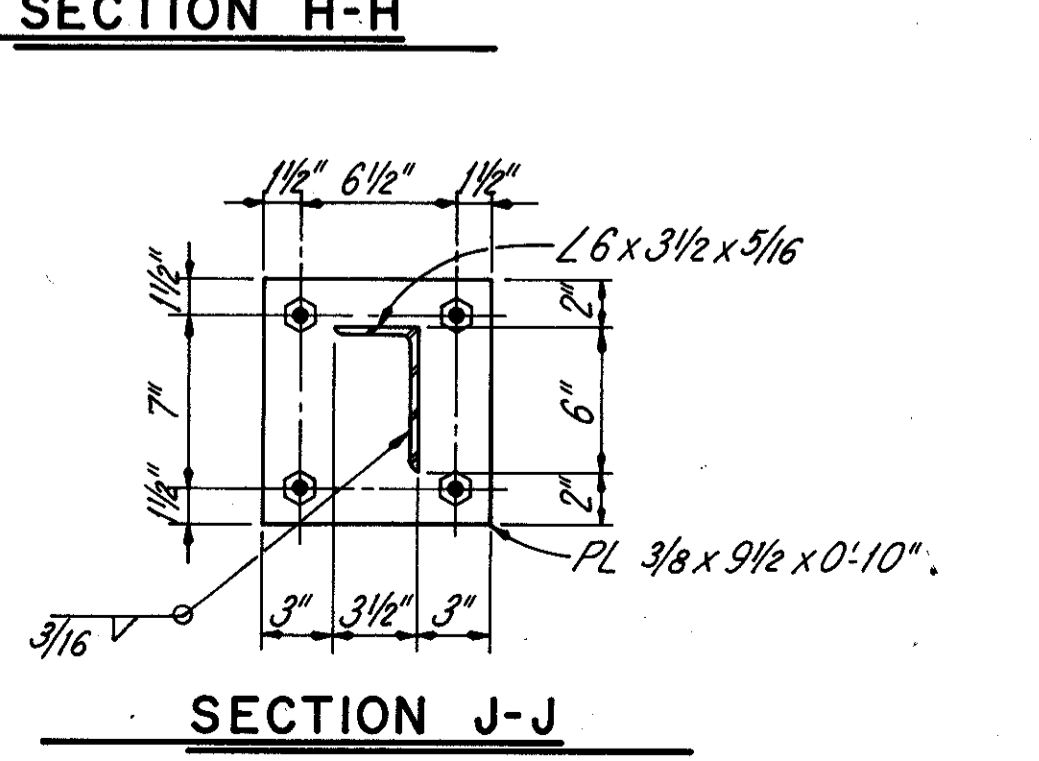
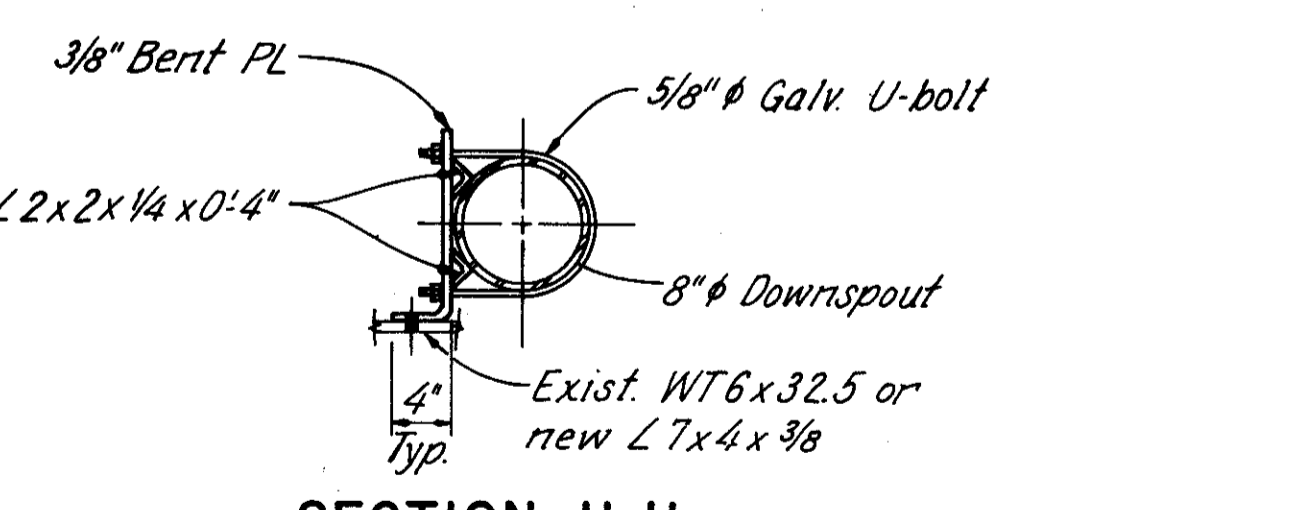
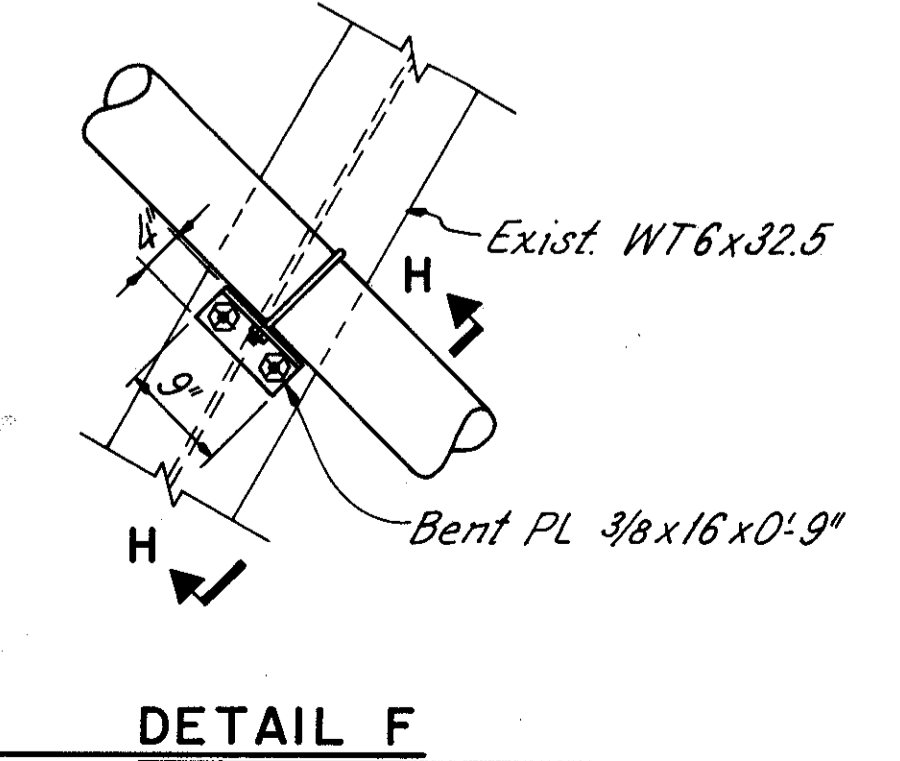
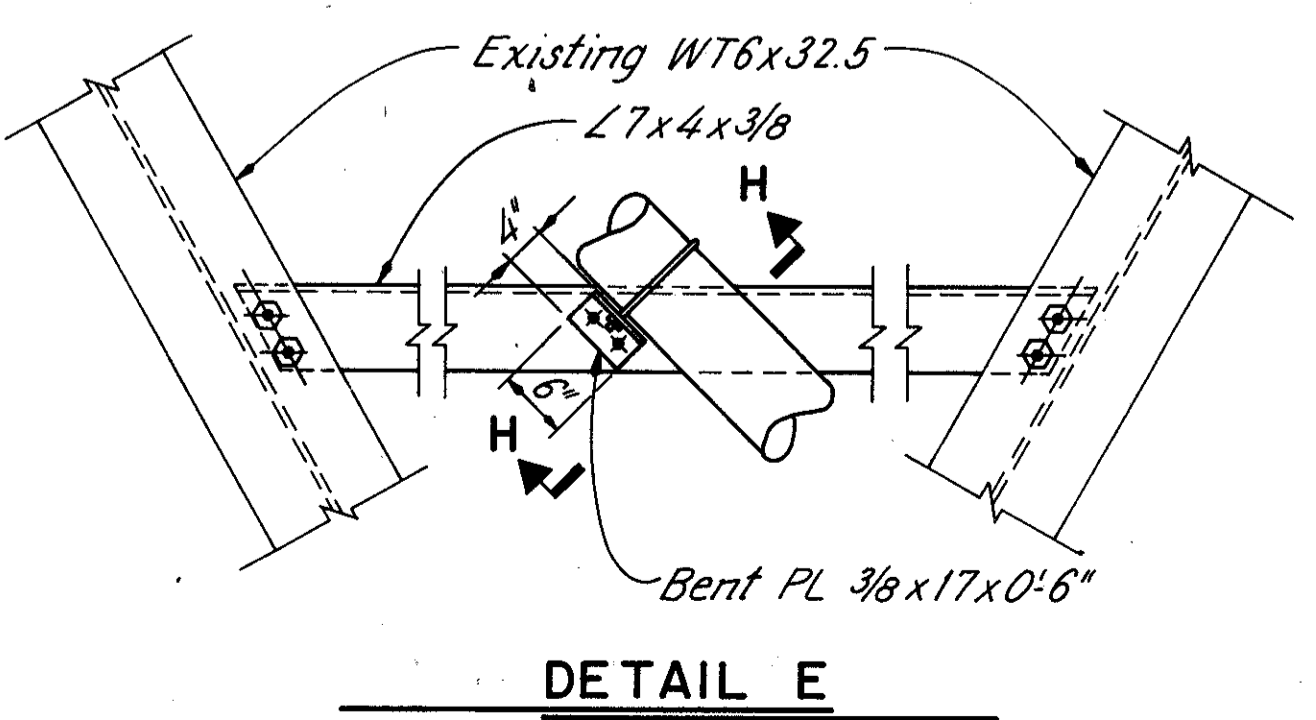
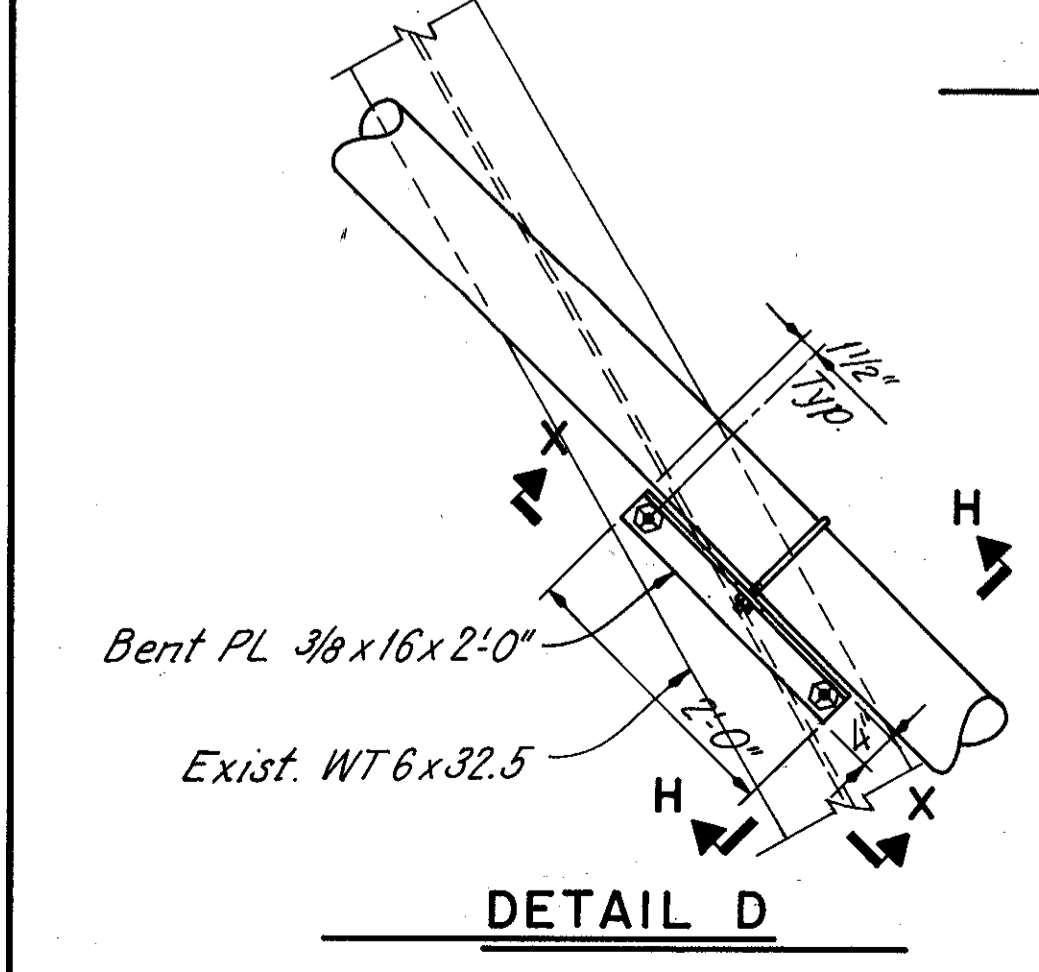
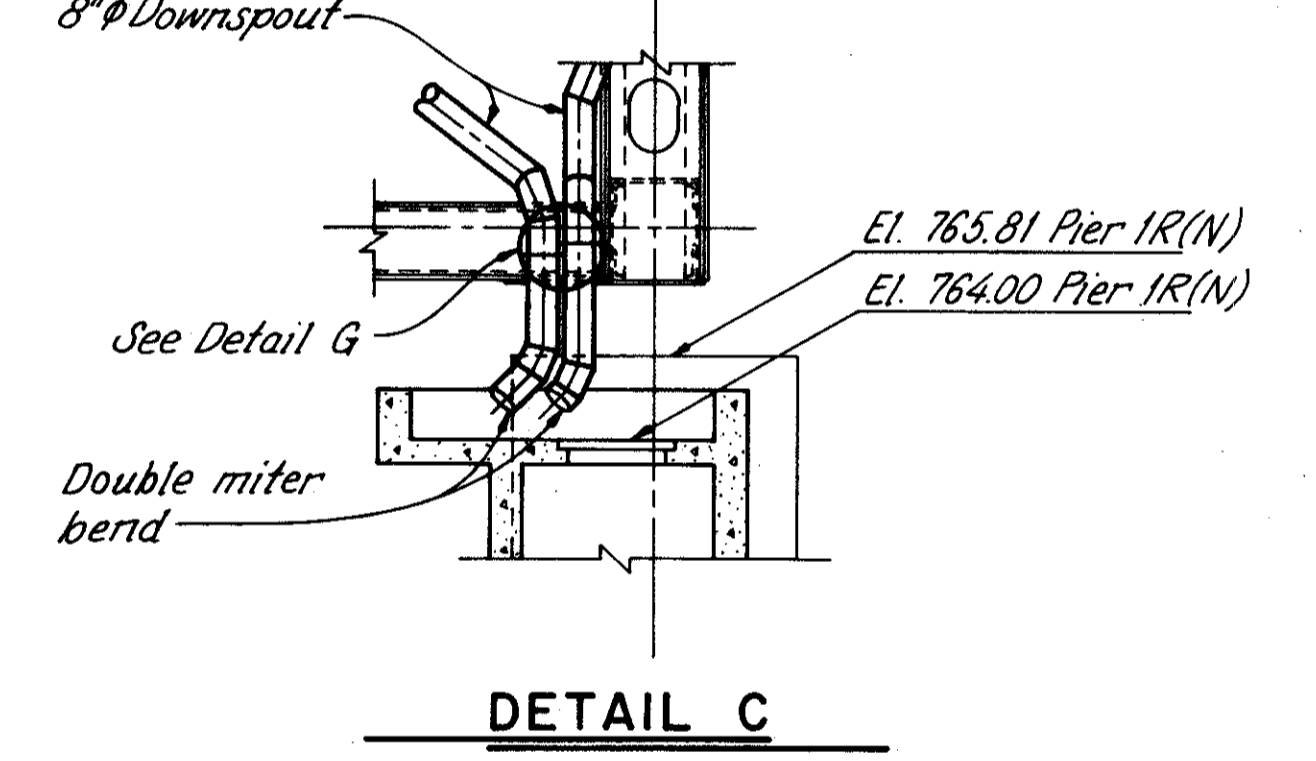
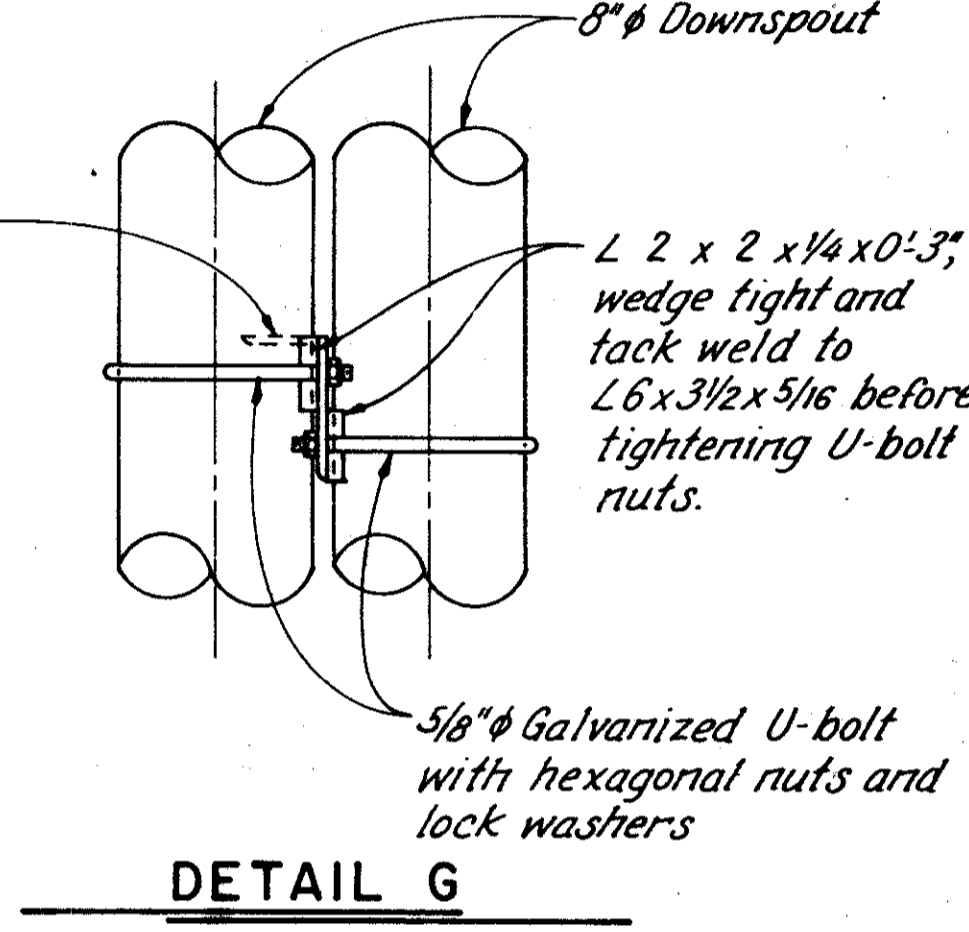
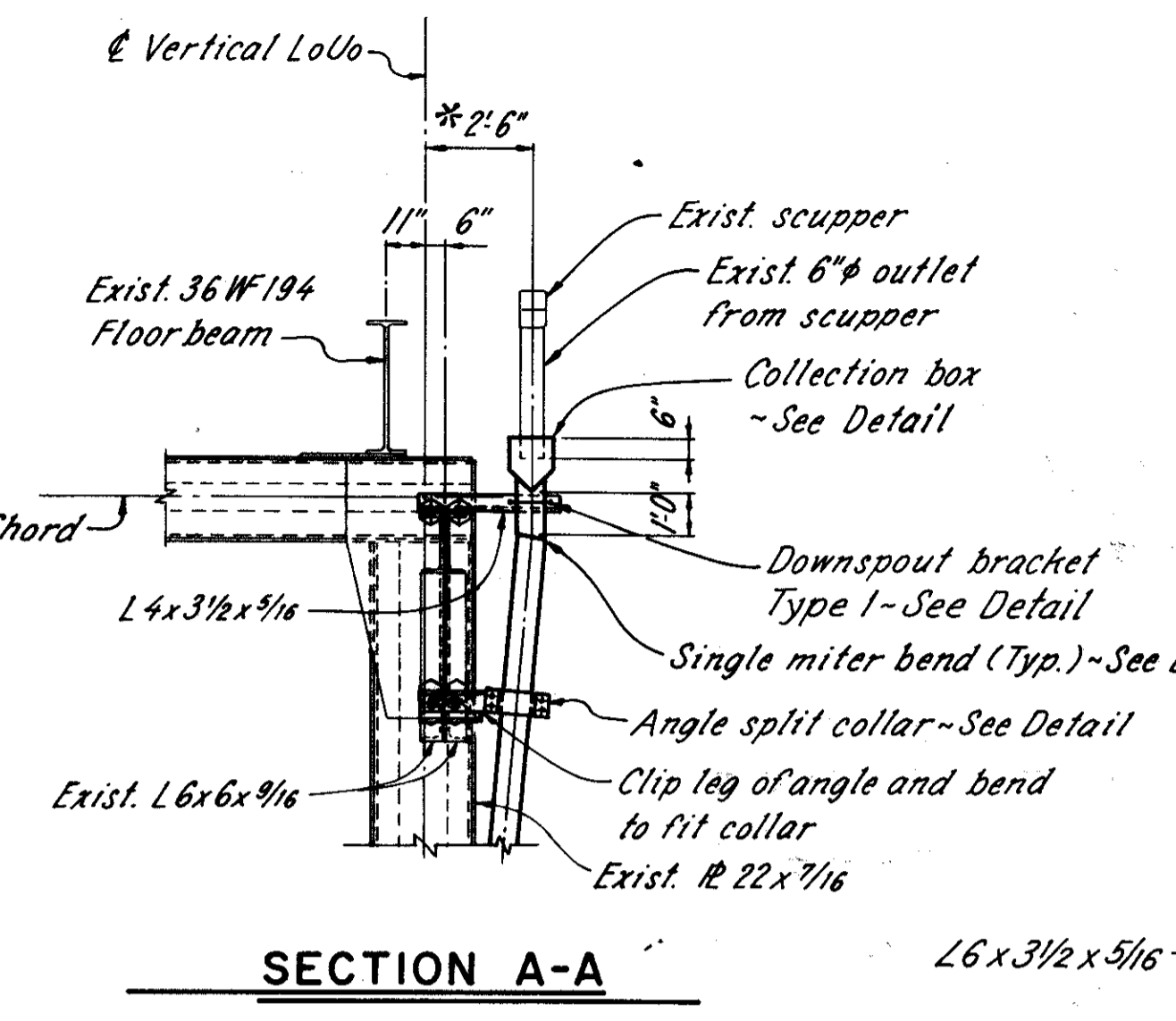
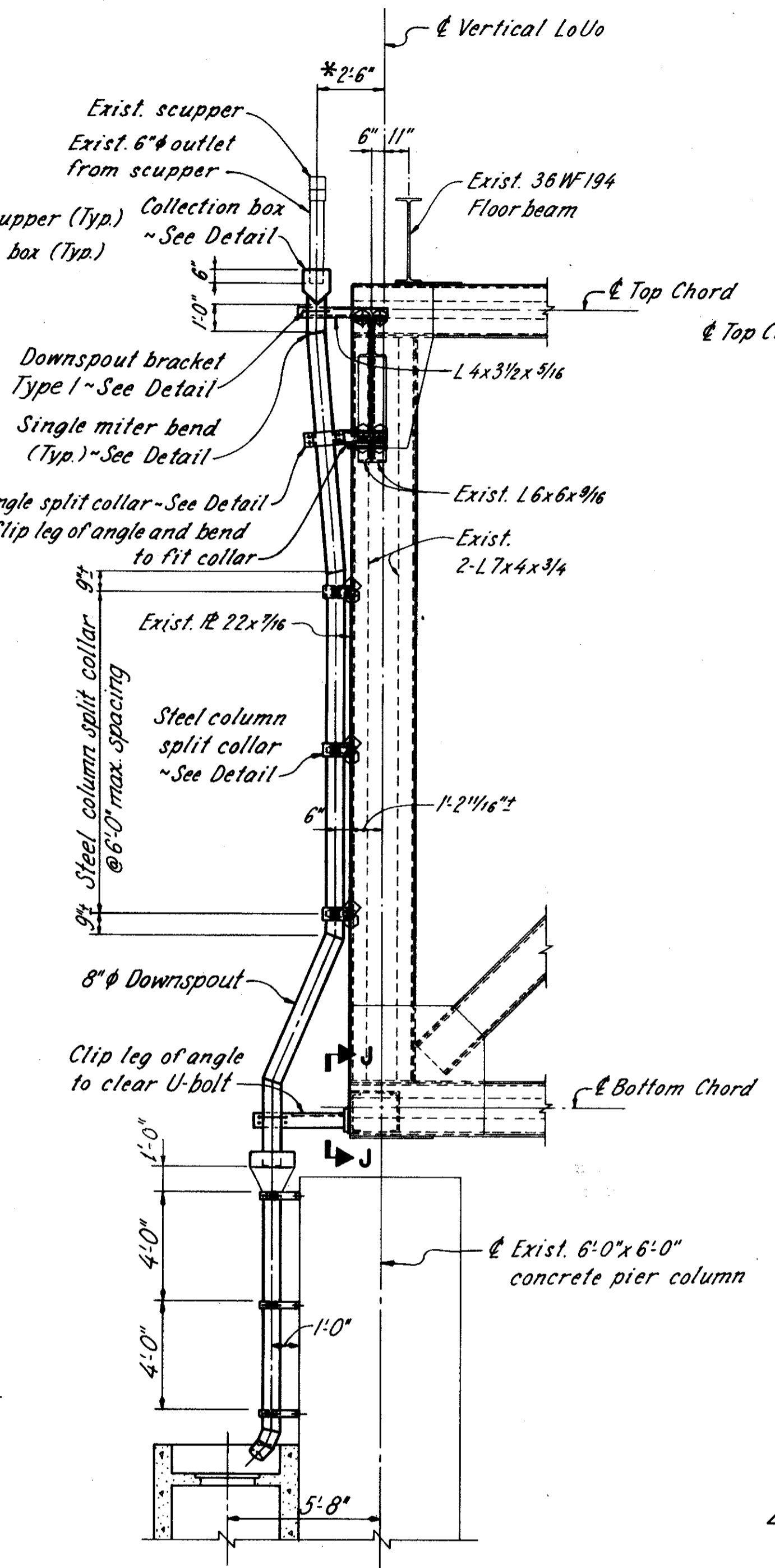
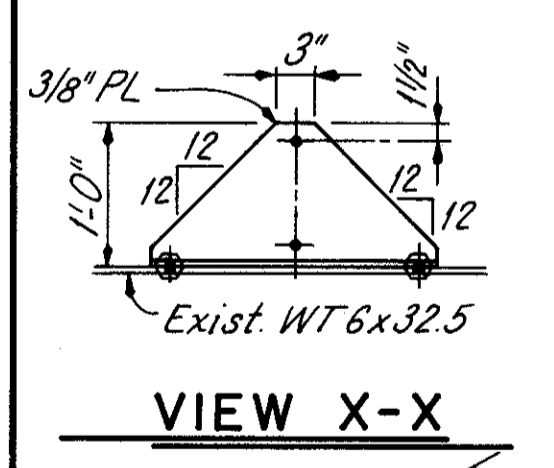
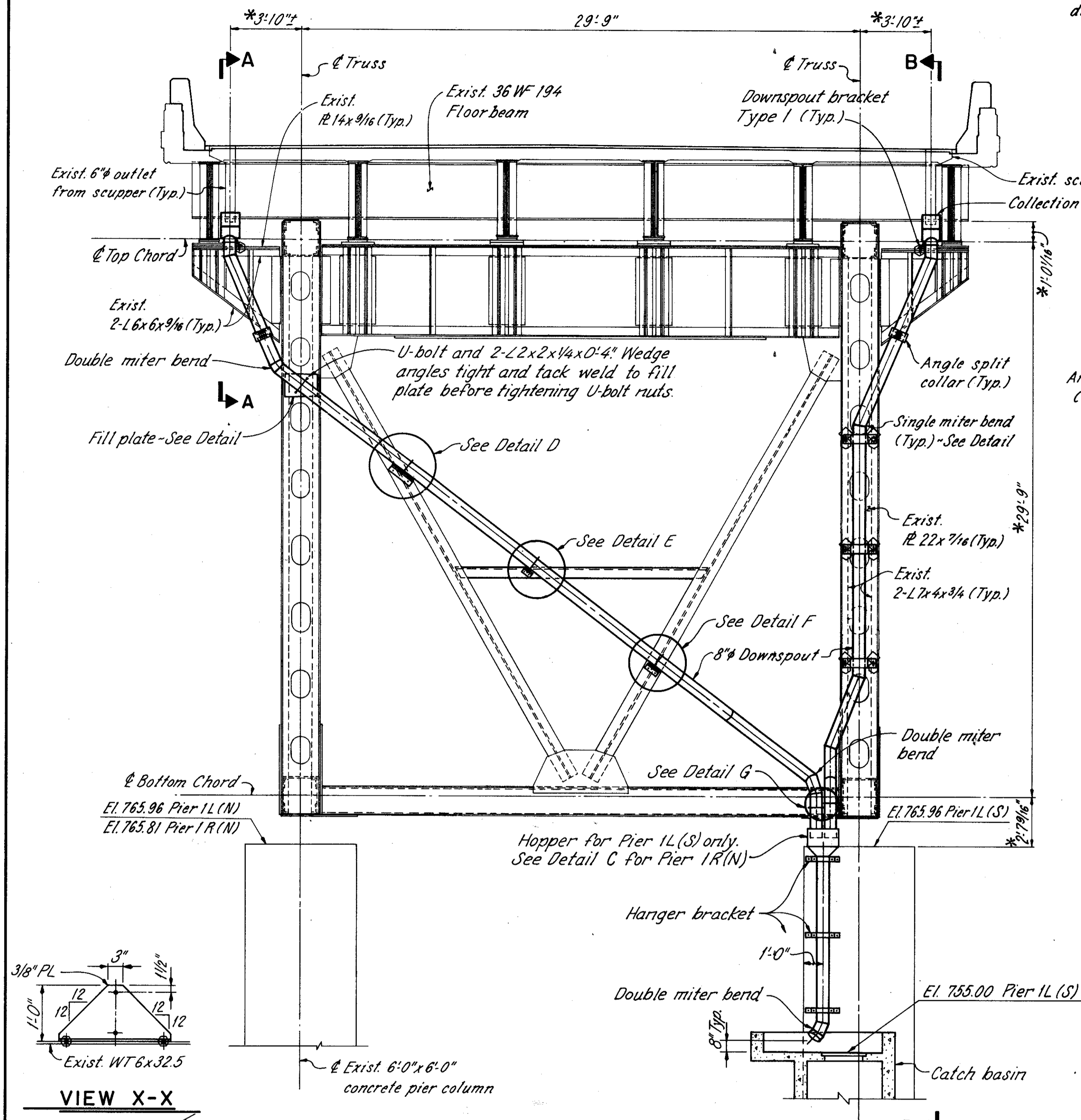


* Contractor to field verify dimension before fabrication



- NOTES**
- COLLECTION BOX DETAIL: See sheet 18/19.
 - BOLT LEGEND: See sheet 2/19.
 - SPLIT COLLAR DETAILS: See sheet 18/19.
 - DOWNSPOUT BRACKET DETAILS: See sheet 18/19.
 - NOTATION: N--North, S--South, L--Left Bridge (Westbound), R--Right Bridge (Eastbound).
 - SINGLE & DOUBLE MITER BEND DETAIL: See sheet 18/19.
 - FILL PLATE DETAIL, HOPPER DETAIL, HANGER BRACKET DETAIL: See sheet 15/19.
 - ADDITIONAL NOTES: See sheet 18/19.

RE RICHLAND ENGINEERING LIMITED
MANSFIELD, OHIO

DRAINAGE DETAILS AT PIER 1 SUPERSTRUCTURE BRIDGE NO. LAK-90-2342 (L&R) OVER THE GRAND RIVER

DESIGNED	DHT	DRAWN	KH	TRACED	KH	CHECKED	DT	REVIEWED	DAP	DATE	9/13/89	REVISION	
----------	-----	-------	----	--------	----	---------	----	----------	-----	------	---------	----------	--