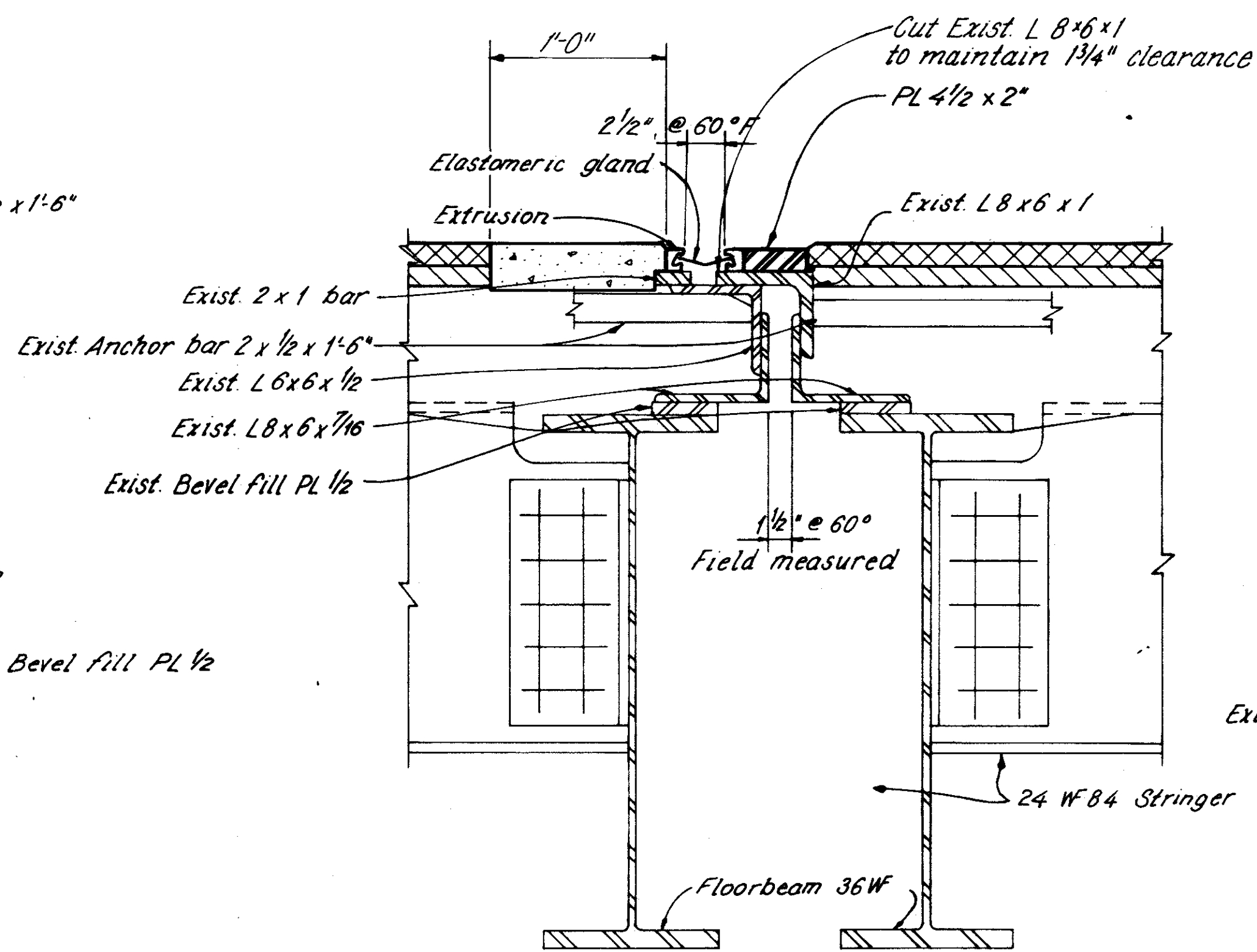
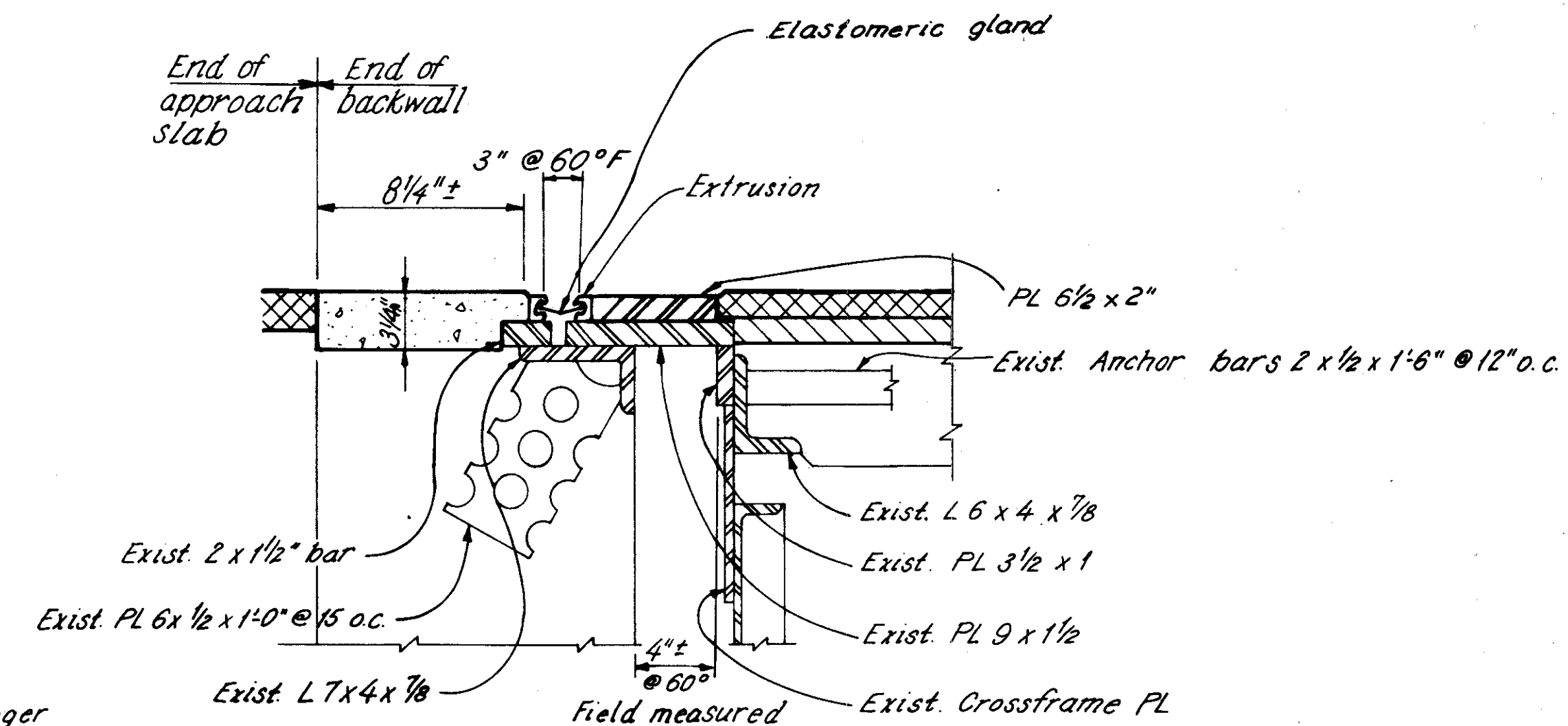


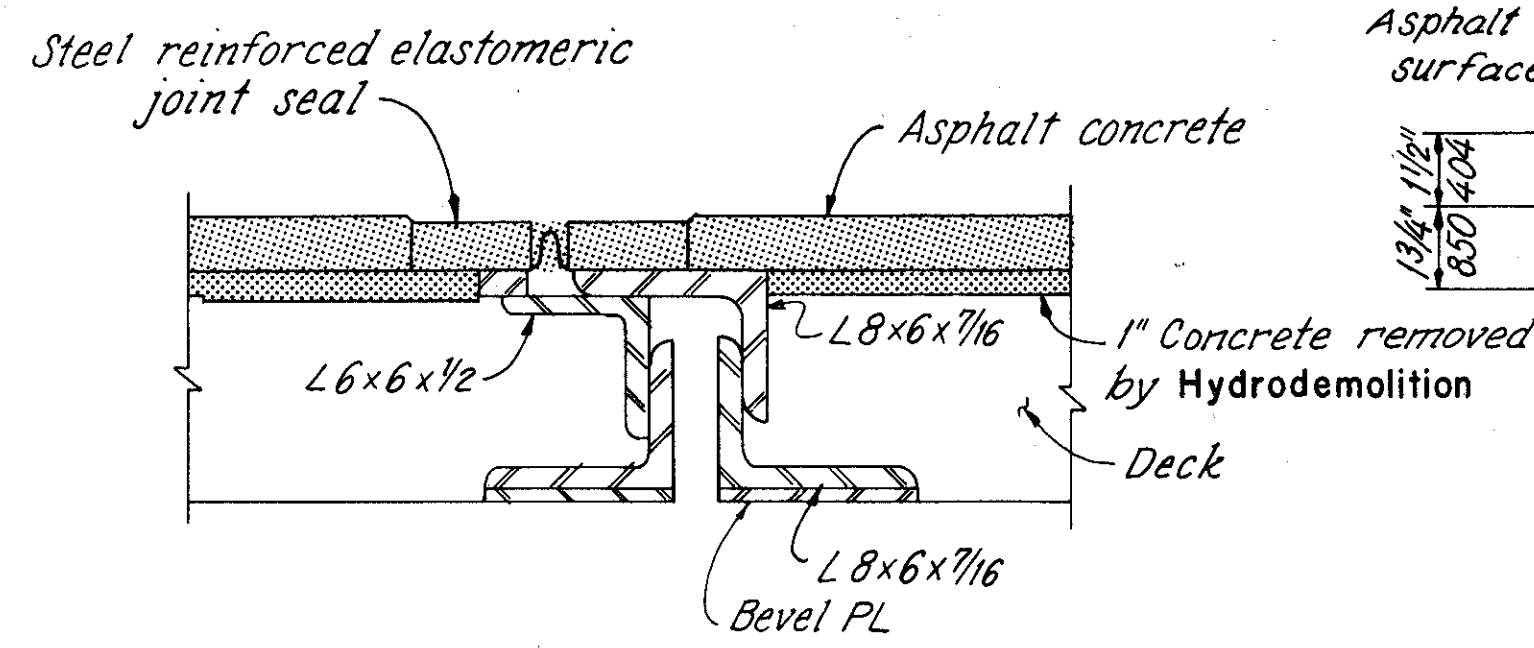
Uo & Uo'  
PIER 1 & PIER 4



U9 & U9'

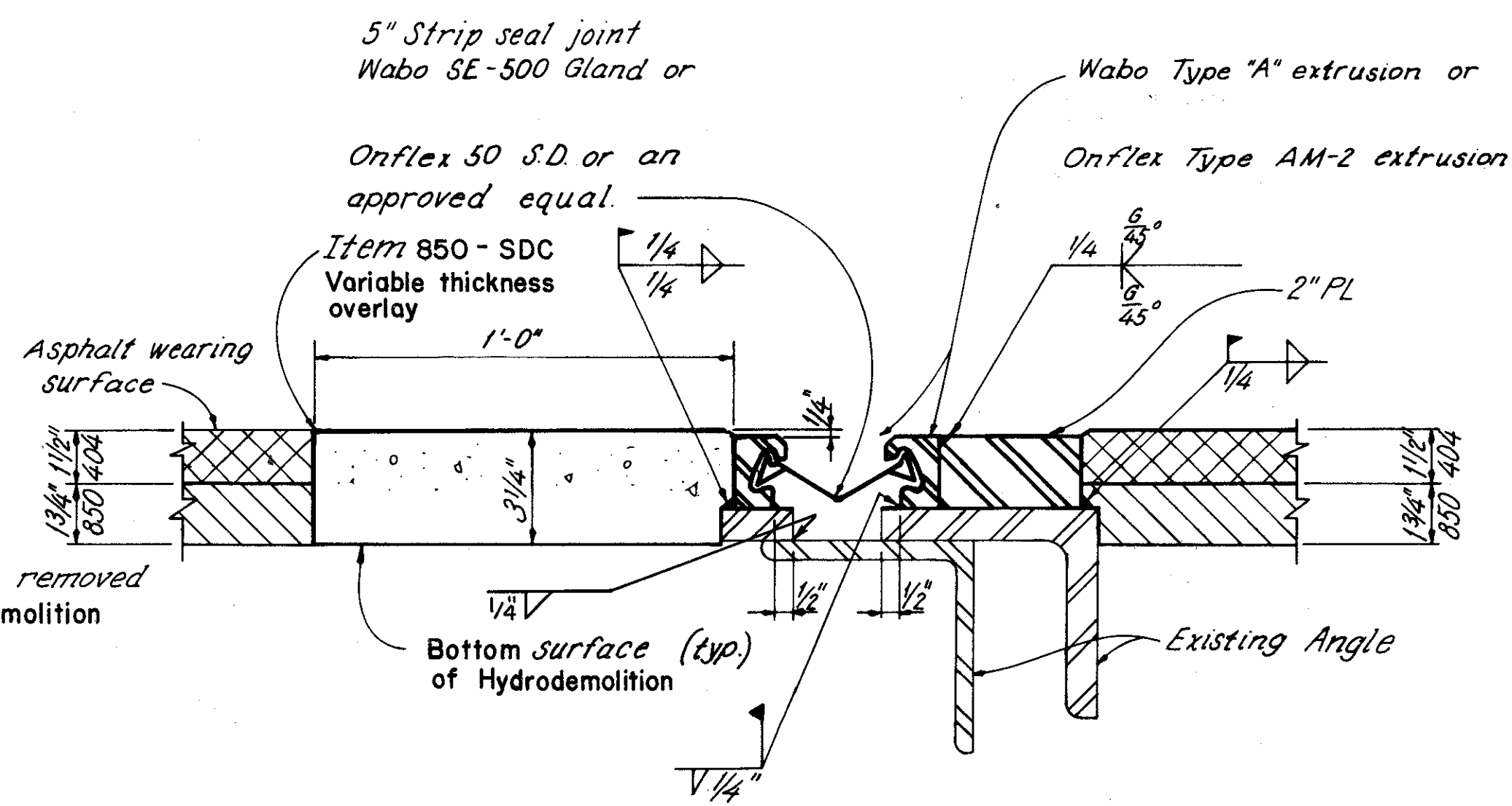


ABUTMENT

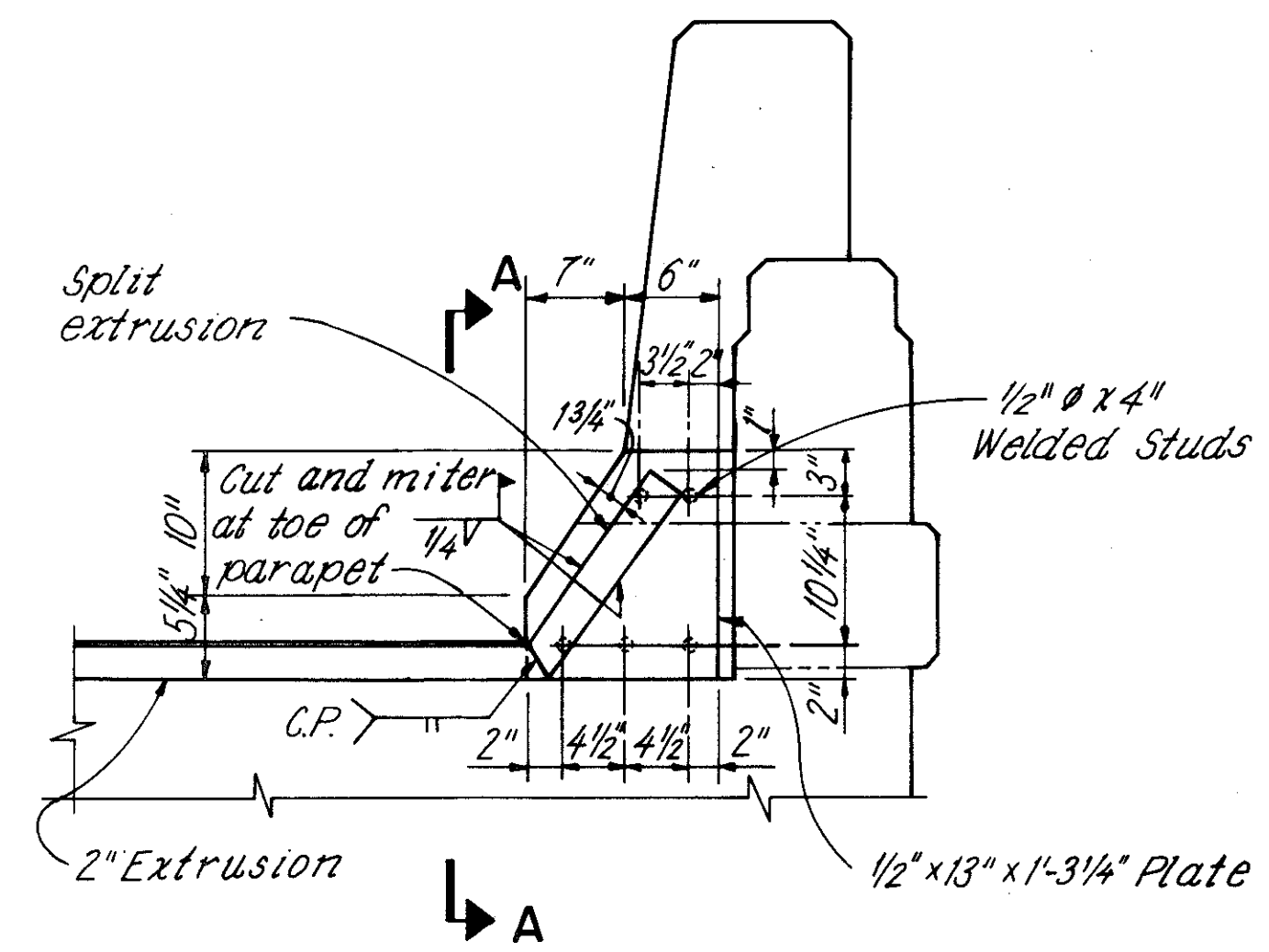


EXISTING JOINT REMOVAL

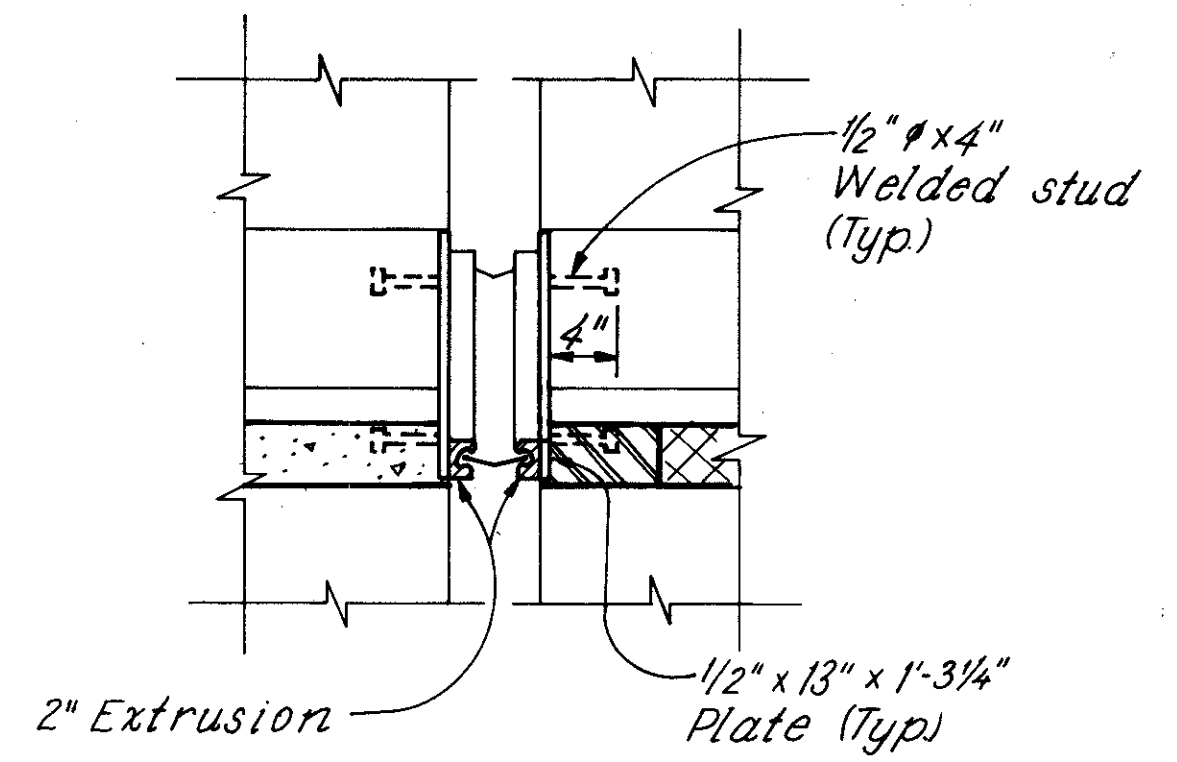
- Indicates material to be removed



EXTRUSION CONNECTION DETAILS



TYPICAL DETAIL AT END OF JOINT



SECTION A-A

NOTES

MATERIALS shown are new unless otherwise noted.

JOINT OPENING TABLE					
TEMPERATURE	40°	50°	60°	70°	80°
PIER 1 OR PIER 4	2 7/8"	2 3/4"	2 1/2"	2 1/4"	2 1/8"
U9 & U9'	3" (-)	2 3/4" (-)	2 1/2"	2 1/4" (+)	2" (+)
ABUTMENTS	3 3/8"	3 1/4" (-)	3"	2 3/4" (+)	2 1/8" (+)

Revised 11-19-90  
13 / 19

**REL** RICHLAND ENGINEERING LIMITED  
MANSFIELD, OHIO

**STRIP SEAL JOINT DETAILS**

SUPERSTRUCTURE  
BRIDGE NO. LAK-90-2342 (L & R)  
OVER THE GRAND RIVER

LAKE COUNTY  
DESIGNED: DHT  
DRAWN: JPS  
TRACED: RLR  
CHECKED: DT  
REVIEWED: DAP  
DATE: 9/13/89  
REVISED: 11/19/90

I.R. 90