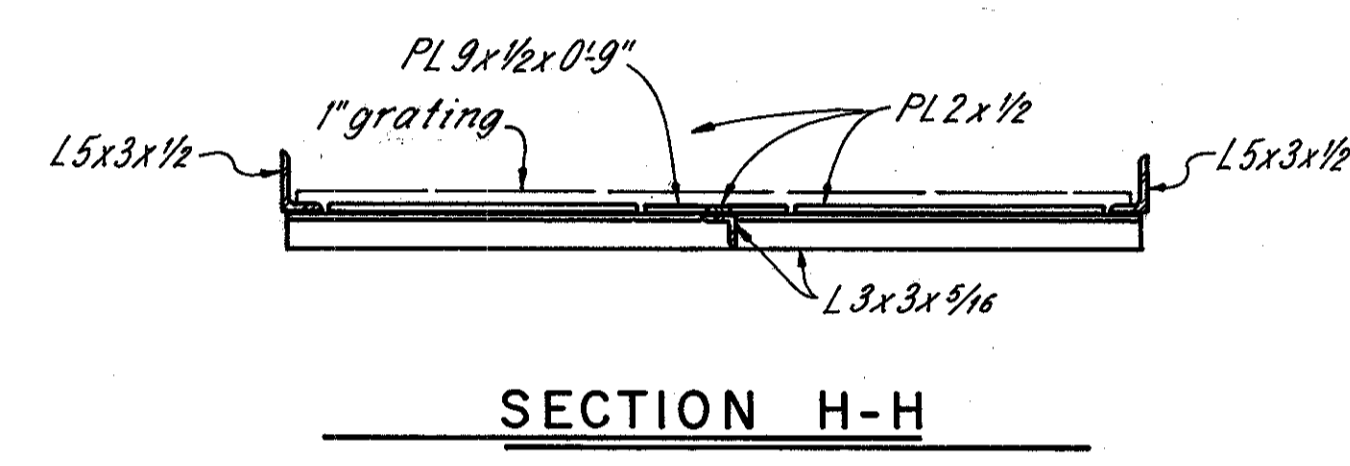
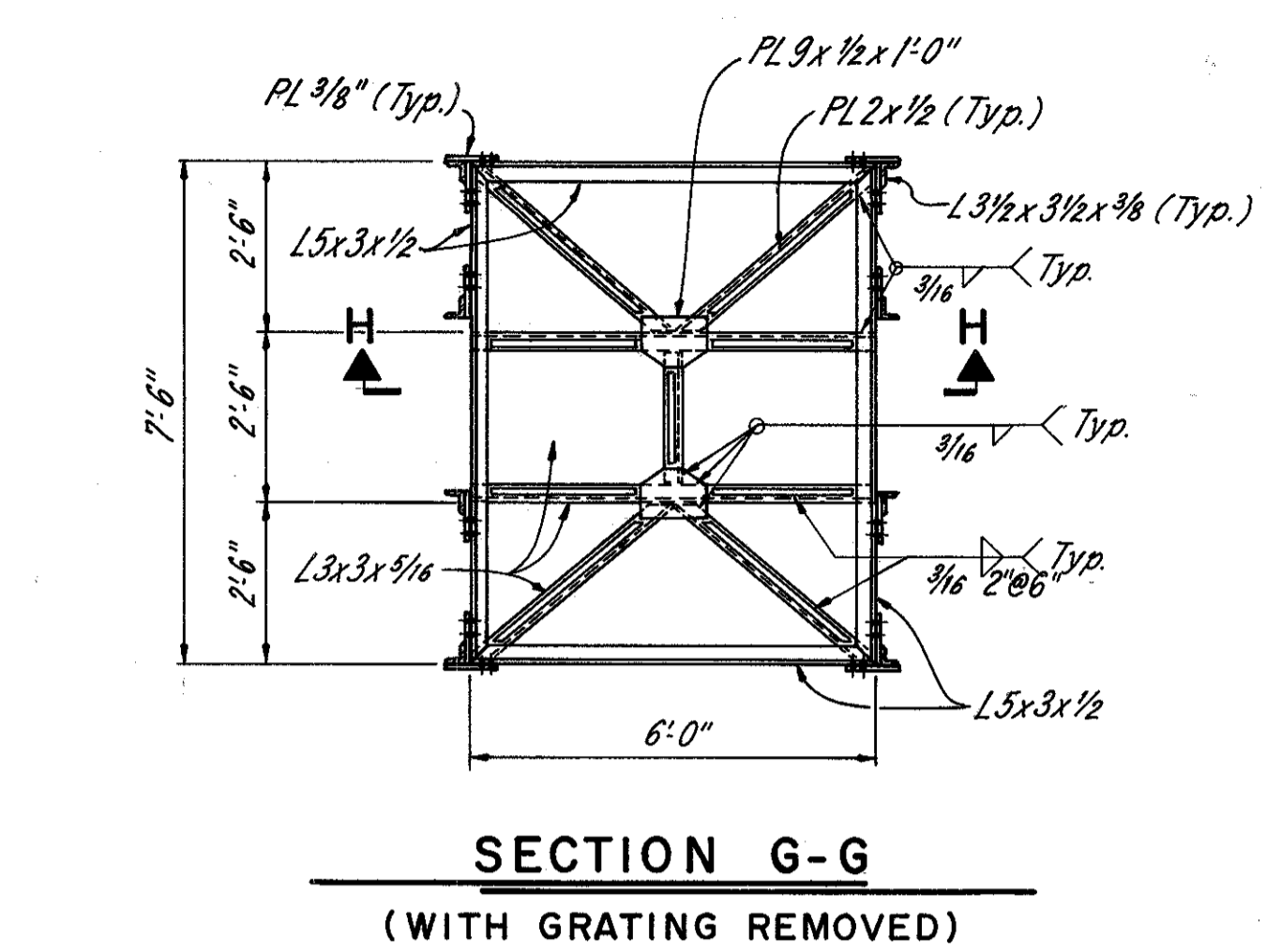
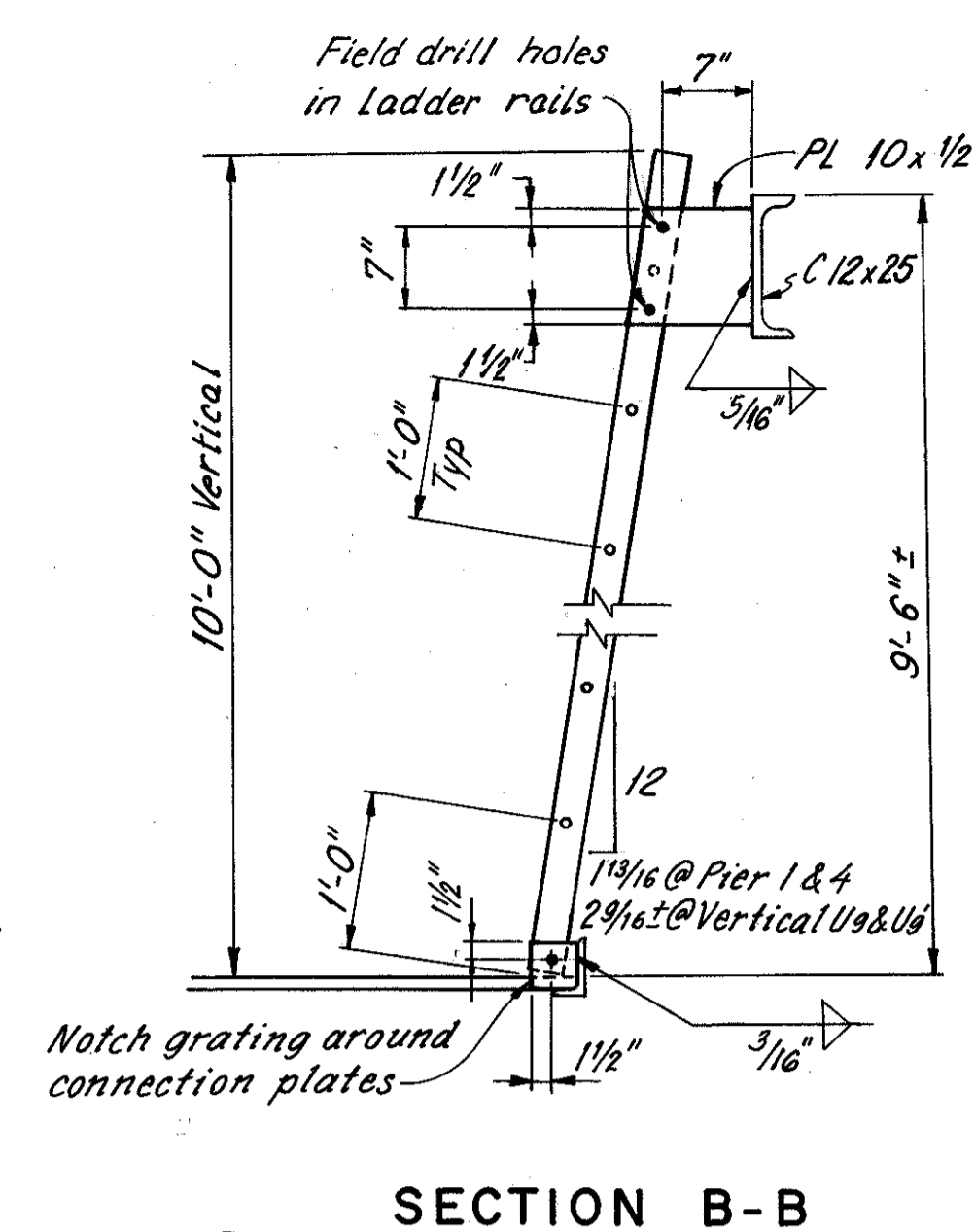
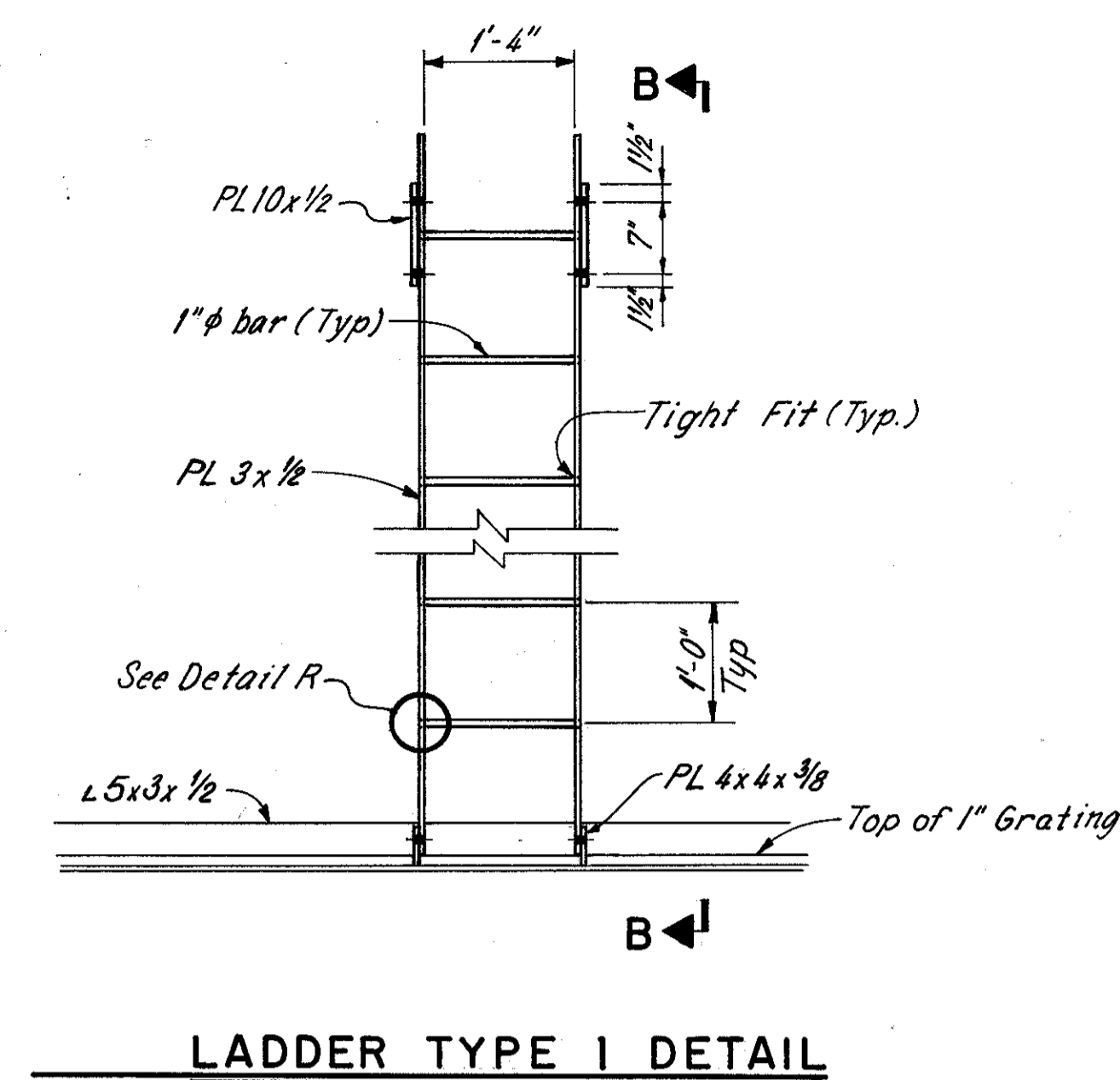
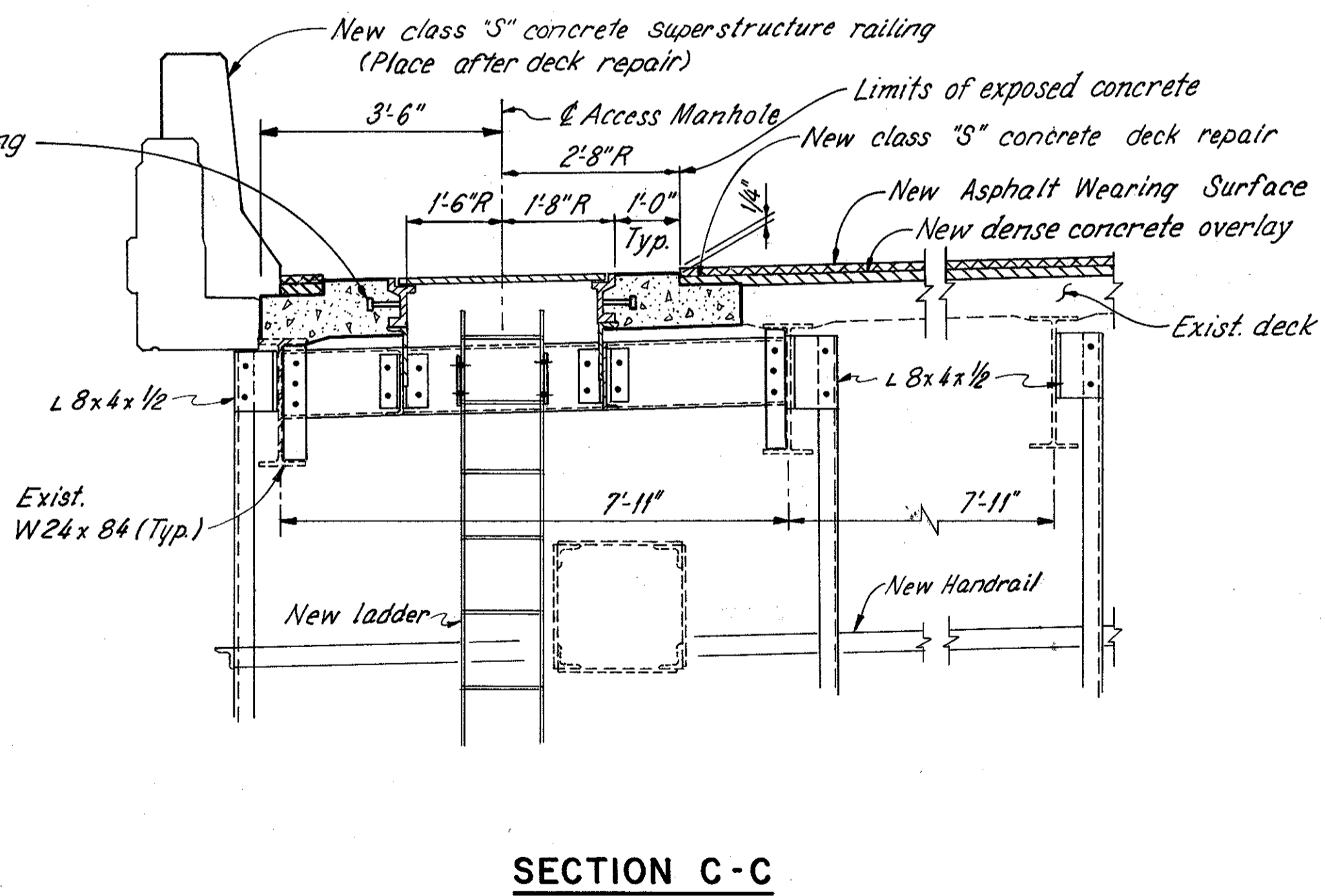
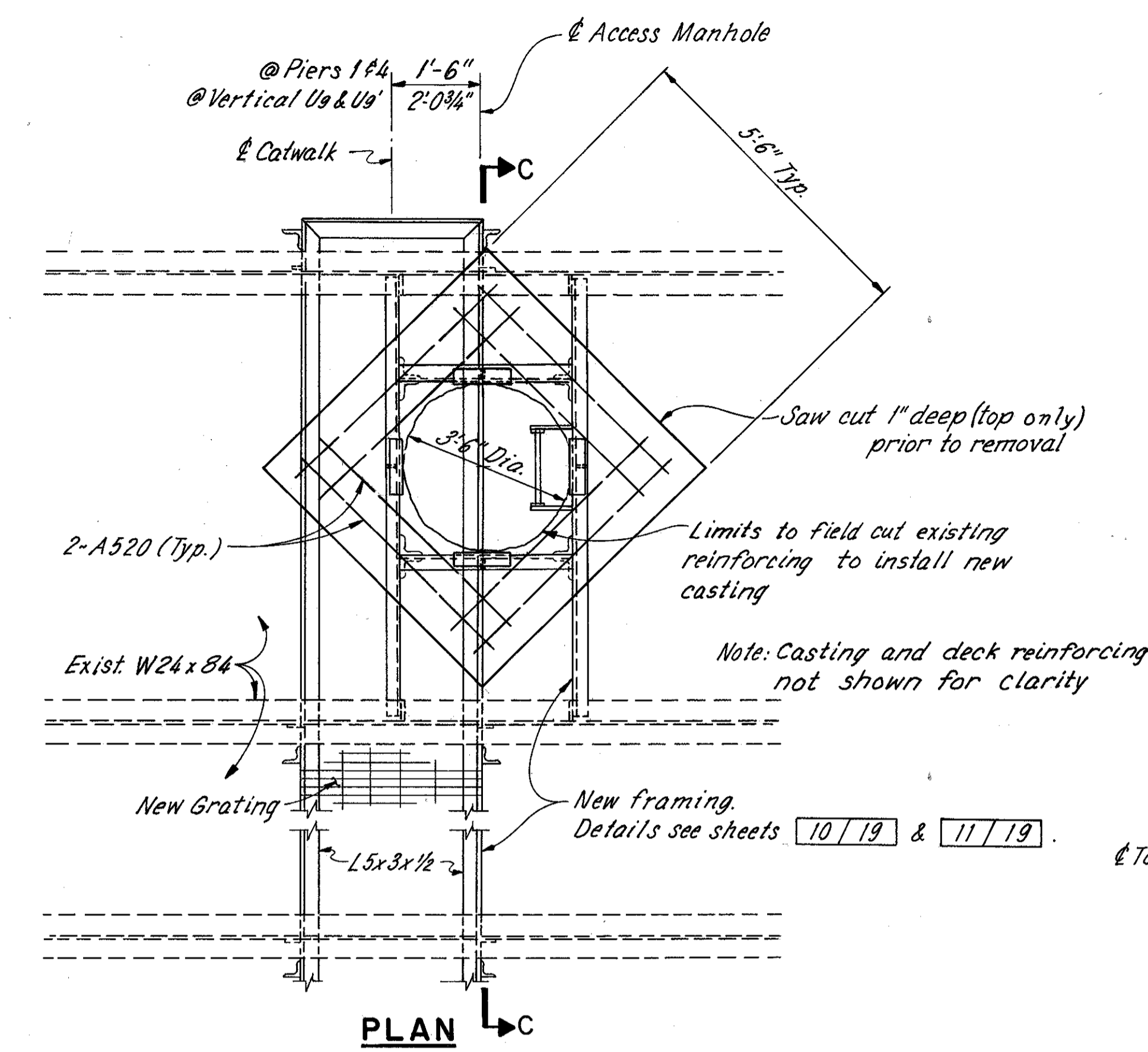
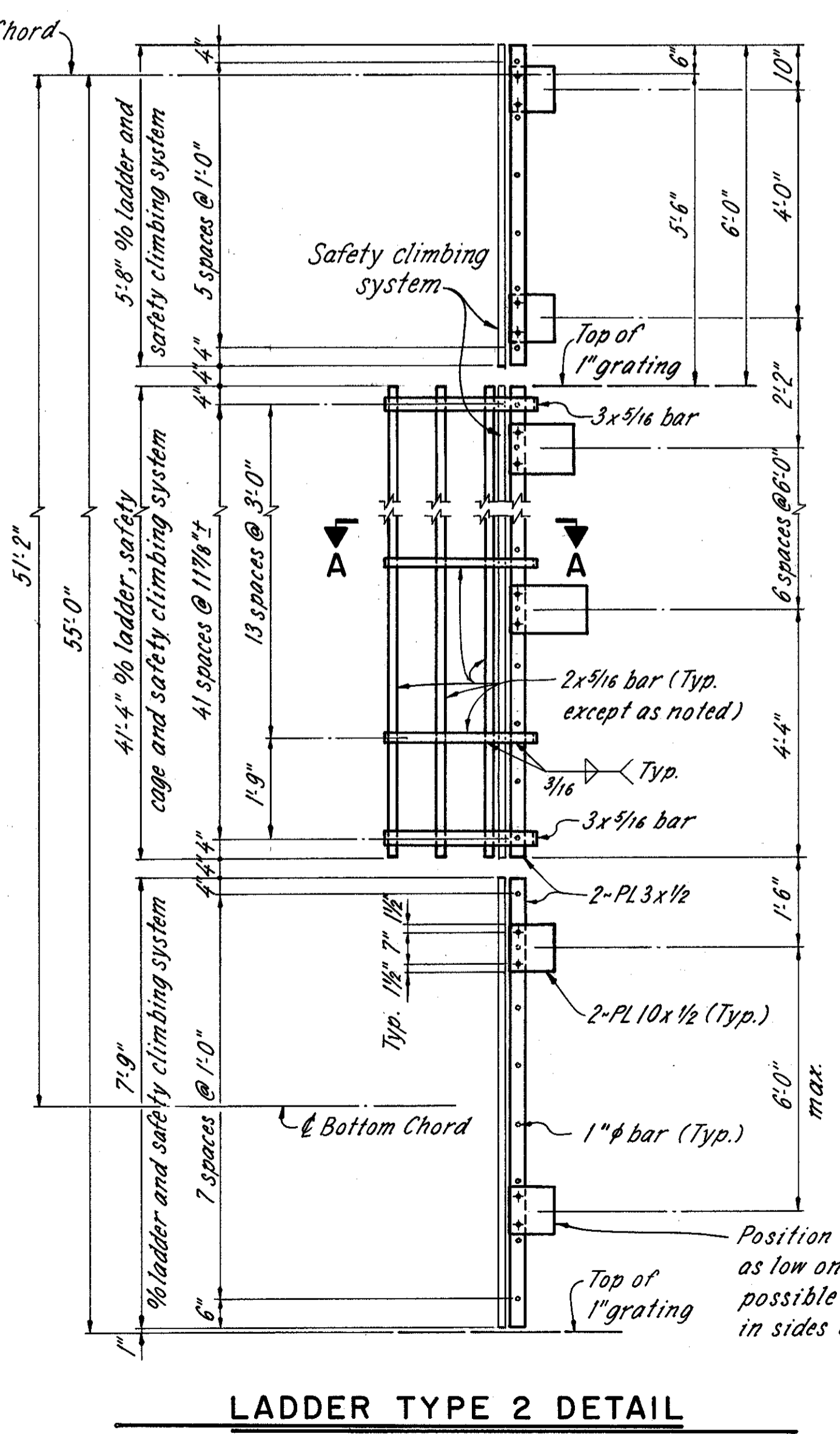
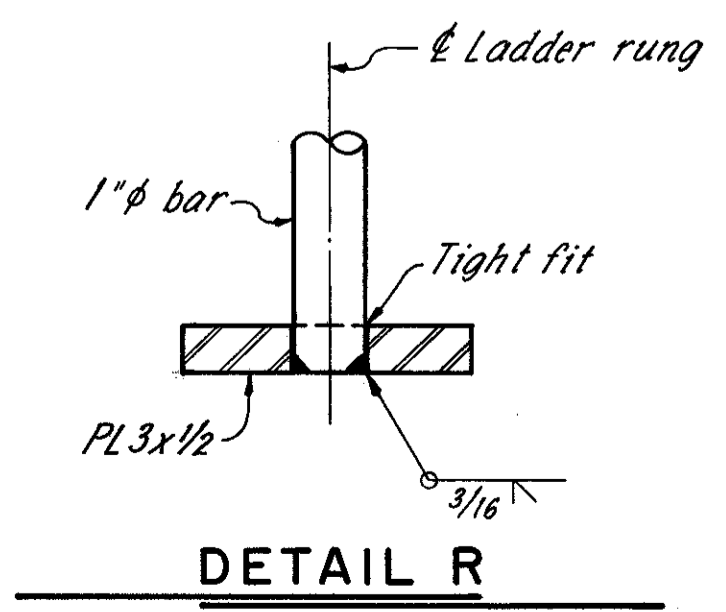
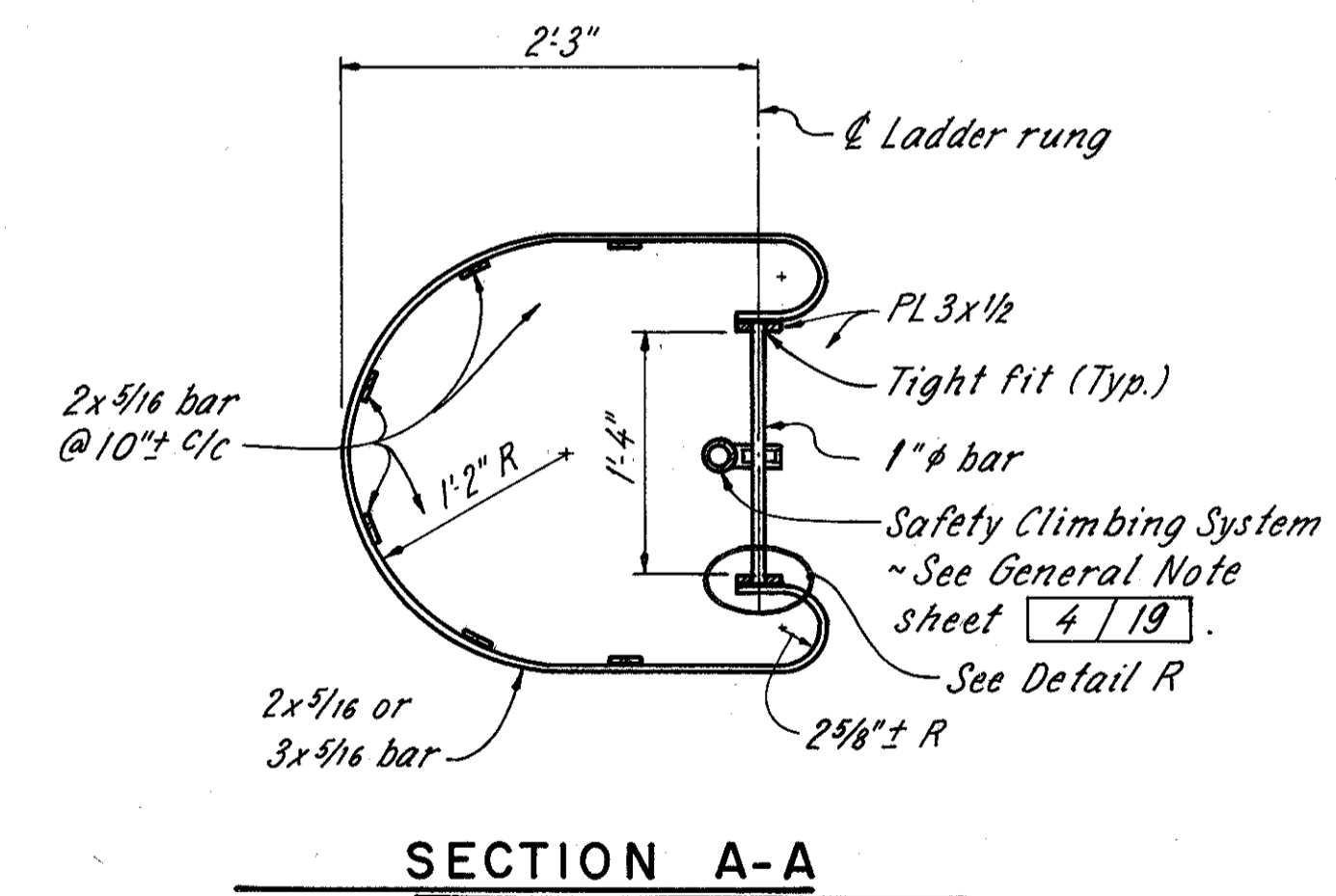


LAKE COUNTY  
LAK-90-23.42 (L&R)



**NOTE**

CONNECTION BOLTS shall be 3/4" φ galvanized A325 high strength bolts. Minimum 2 bolts per member per connection.



12/19

**RE** RICHLAND ENGINEERING LIMITED  
MANSFIELD, OHIO

**CATWALK DETAILS**

BRIDGE NO. LAK - 90 - 2342 (L&R)  
OVER THE GRAND RIVER

LAKE COUNTY I.R. 90

DESIGNED	DRAWN	TRACED	CHECKED	REVIEWED	DATE	REVISED
DHT	JPS	SMB	DT	DAP	9/13/89	