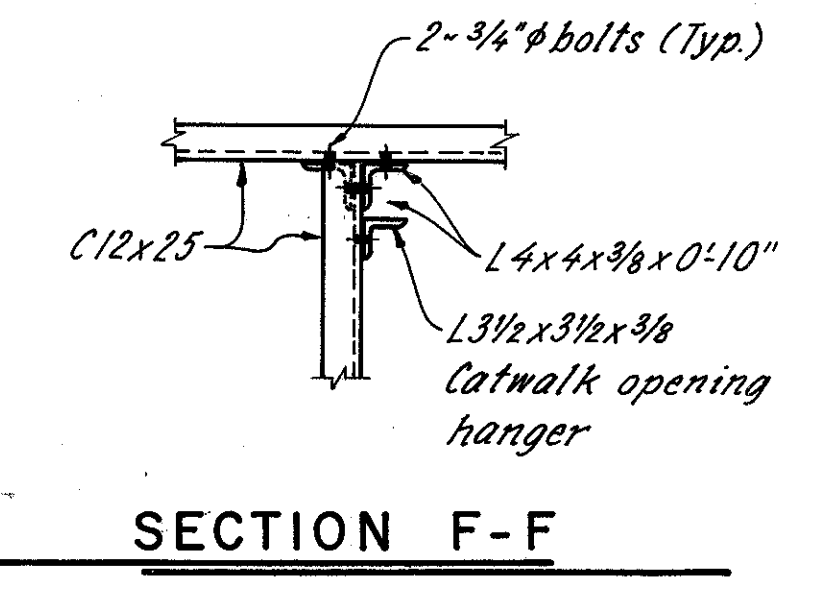
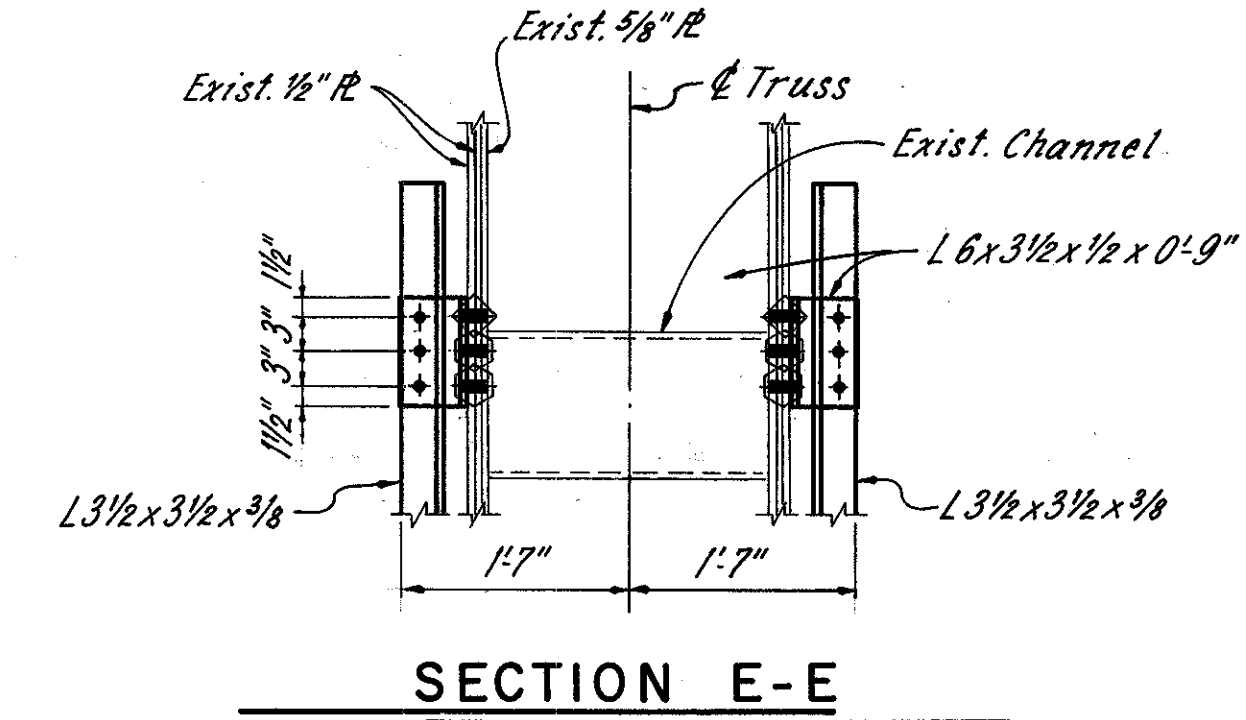
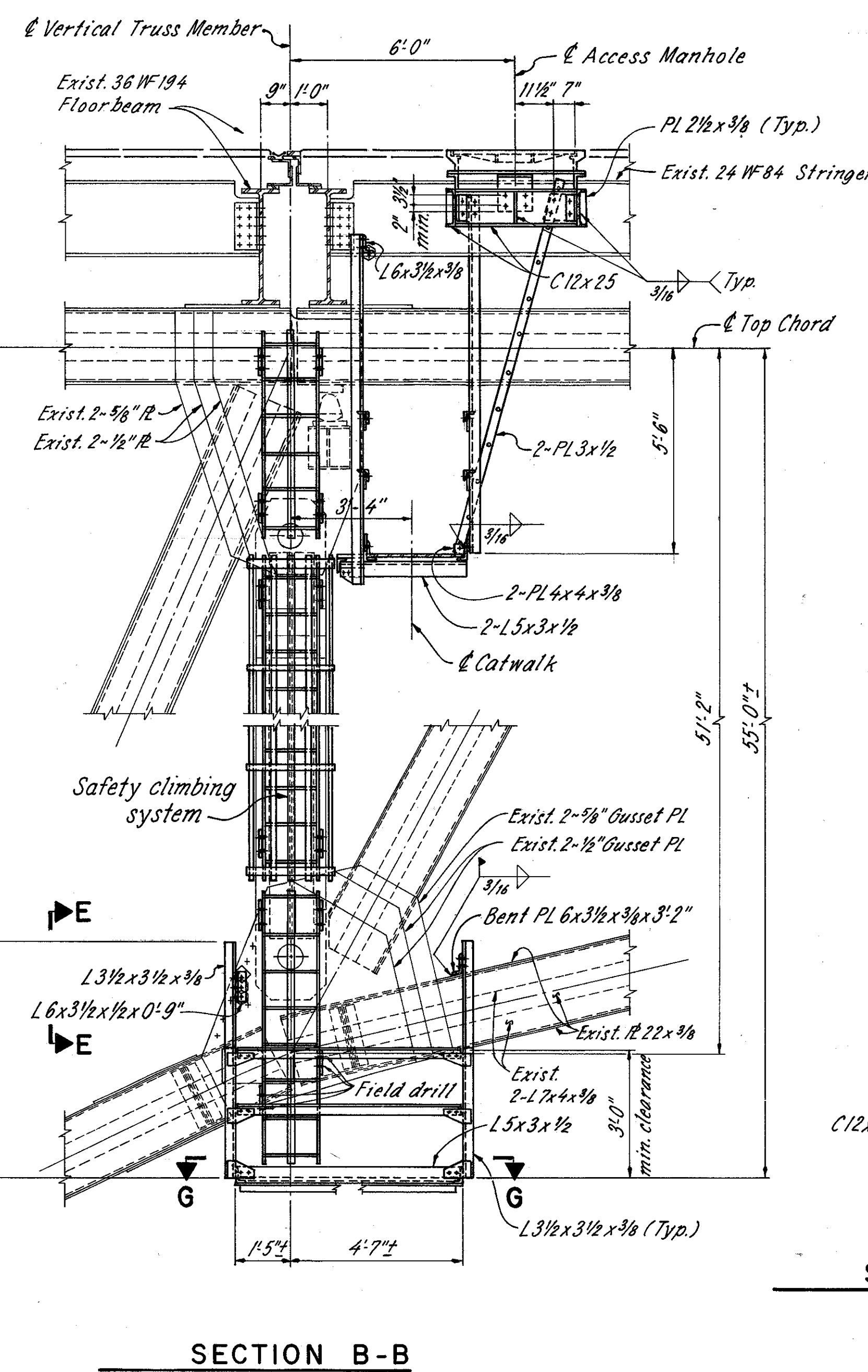
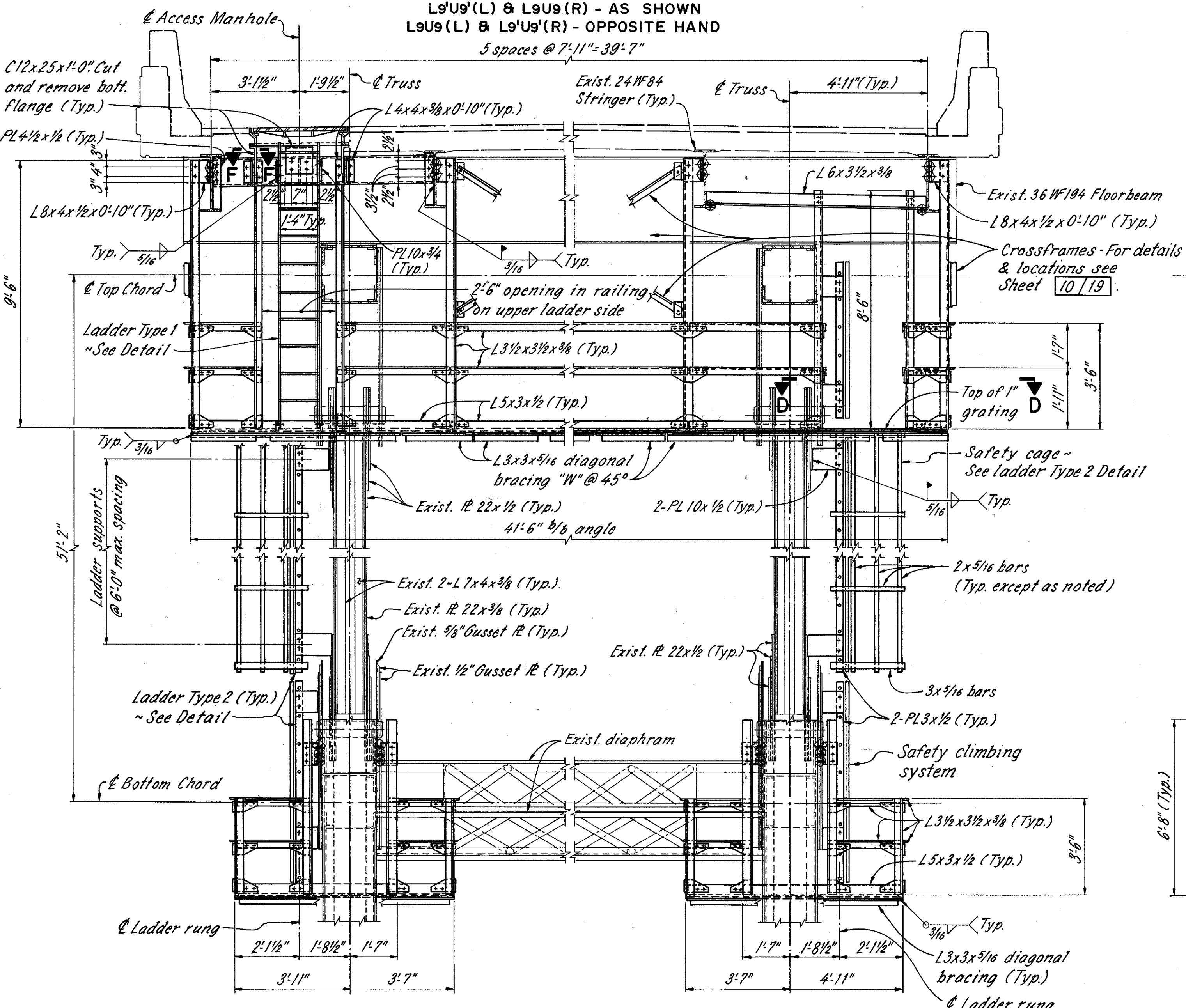
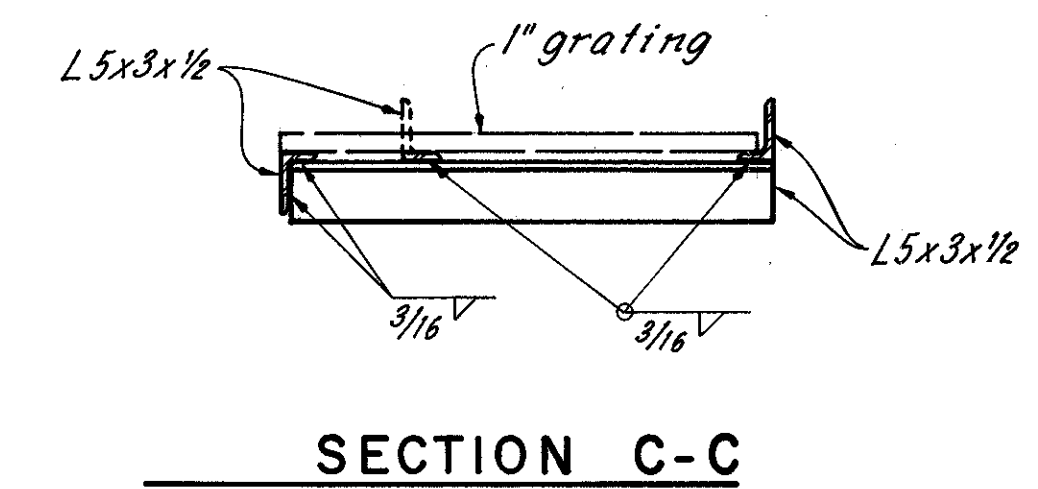
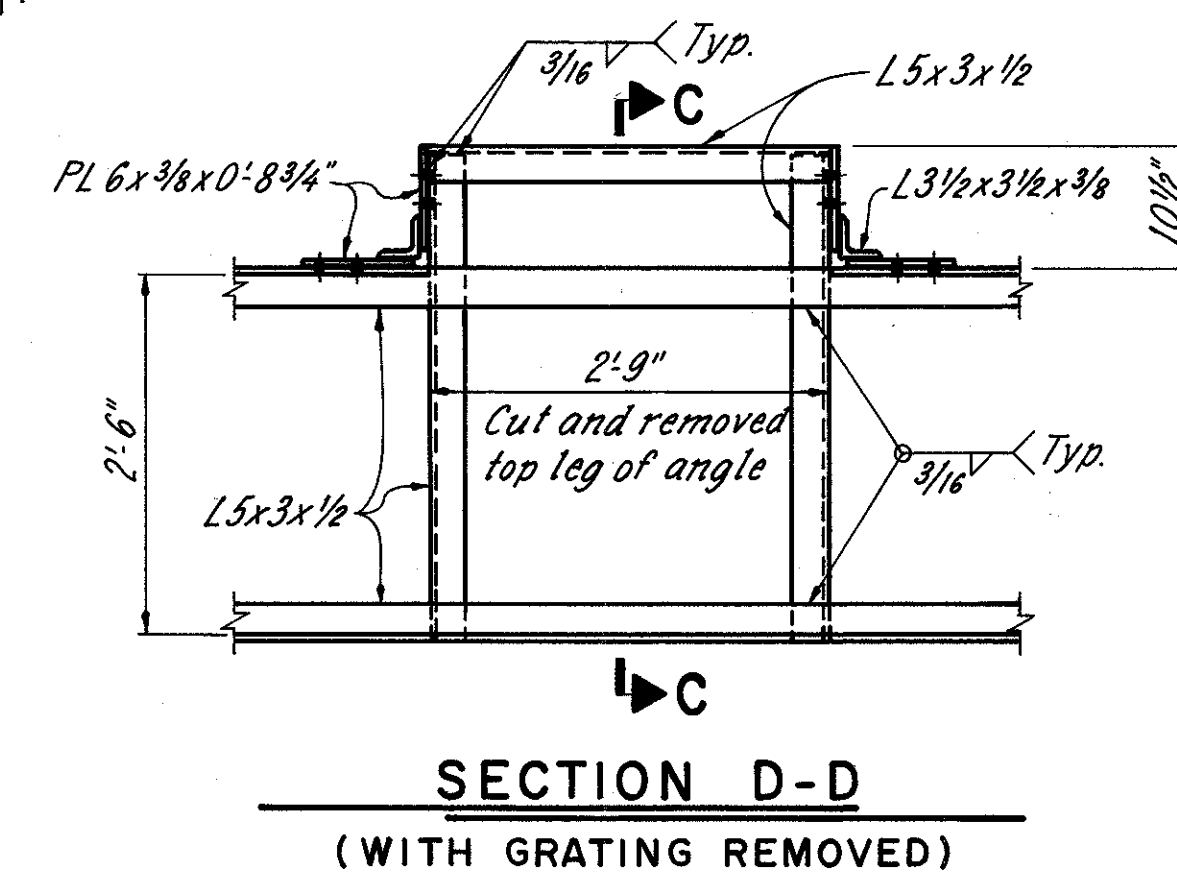
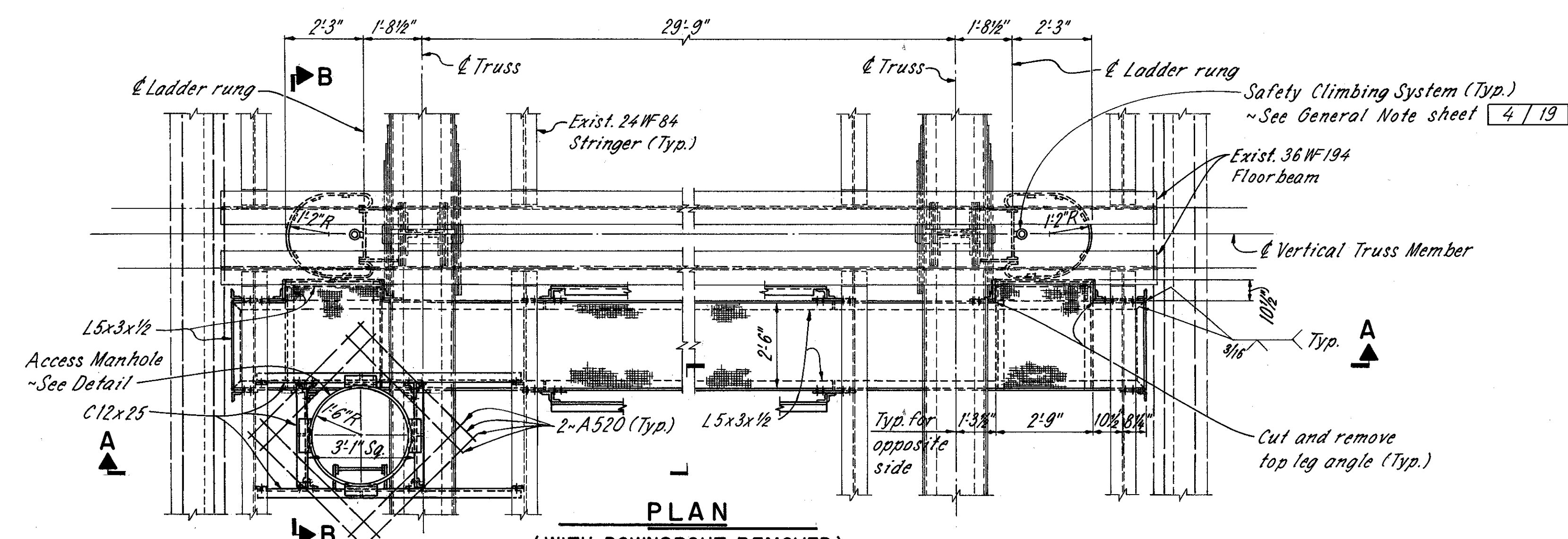


FHWA REGION	STATE	PROJECT	
5	OHIO		

30
38

LAKE COUNTY
LAK-90-23.42 (L&R)



NOTES

- CATWALK CONNECTION DETAILS:** See sheet 10/19.
- NOTATION:** L-Left Bridge (Westbound)
R-Right Bridge (Eastbound)
- BOLT LEGEND:** See sheet 2/19.
- CONNECTION BOLTS** shall be 3/4" φ galvanized A325 high strength bolts. Minimum 2 bolts per member per connection.
- LADDER DETAILS:** See sheet 12/19.
- ACCESS MANHOLE DETAIL:** See sheet 12/19.
- SECTION G-G:** See sheet 12/19.

RE RICHLAND ENGINEERING LIMITED
MANSFIELD, OHIO

CATWALK DETAILS AT VERTICALS
SUPERSTRUCTURE
BRIDGE NO. LAK-90-2342(L&R)
OVER THE GRAND RIVER

DESIGNED	DRAWN	TRACED	CHECKED	REVIEWED	DATE	REVISION
DHT	KH	KH	DT	DAP	9/13/89	