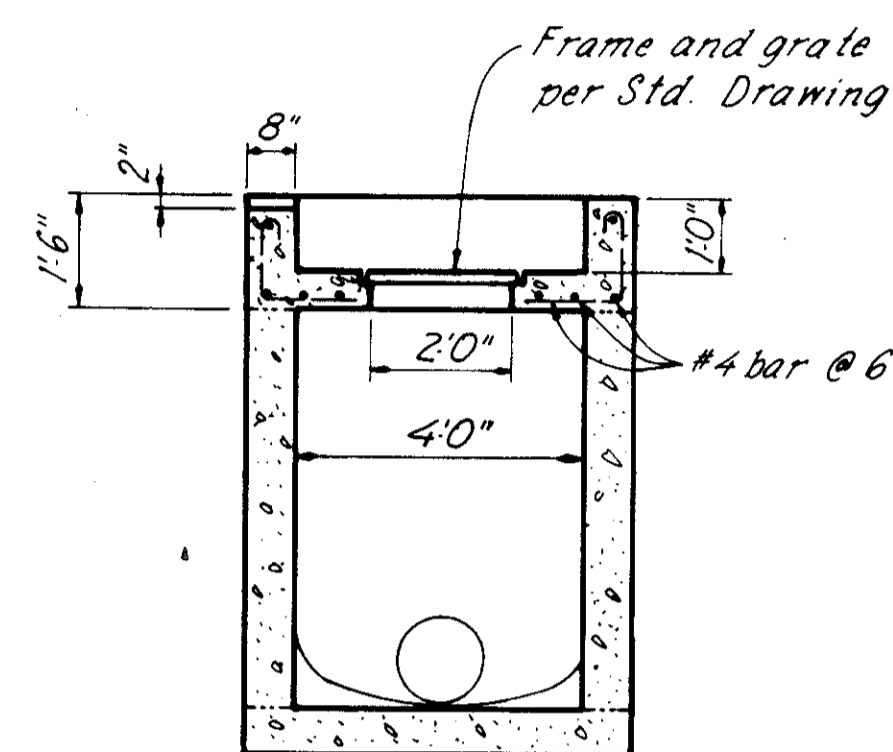
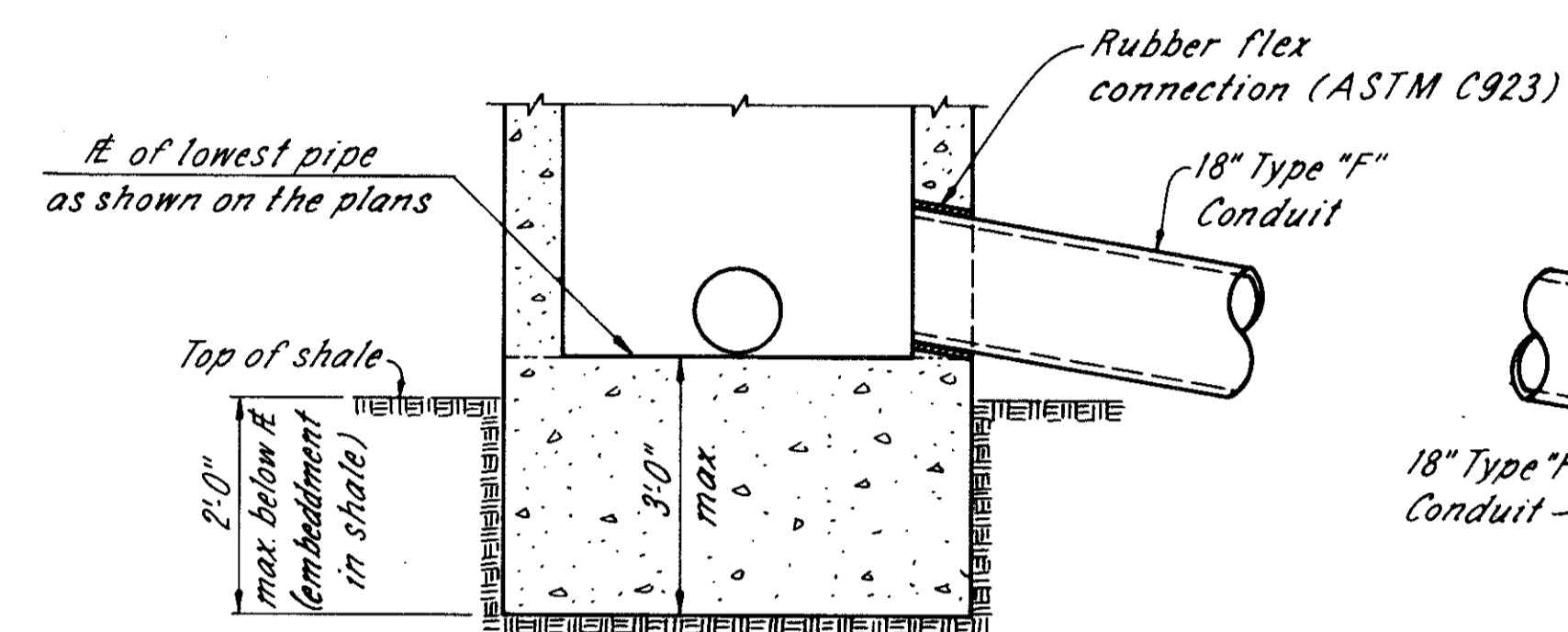


SECTION A-A

CATCH BASIN 2-4, AS PER PLAN

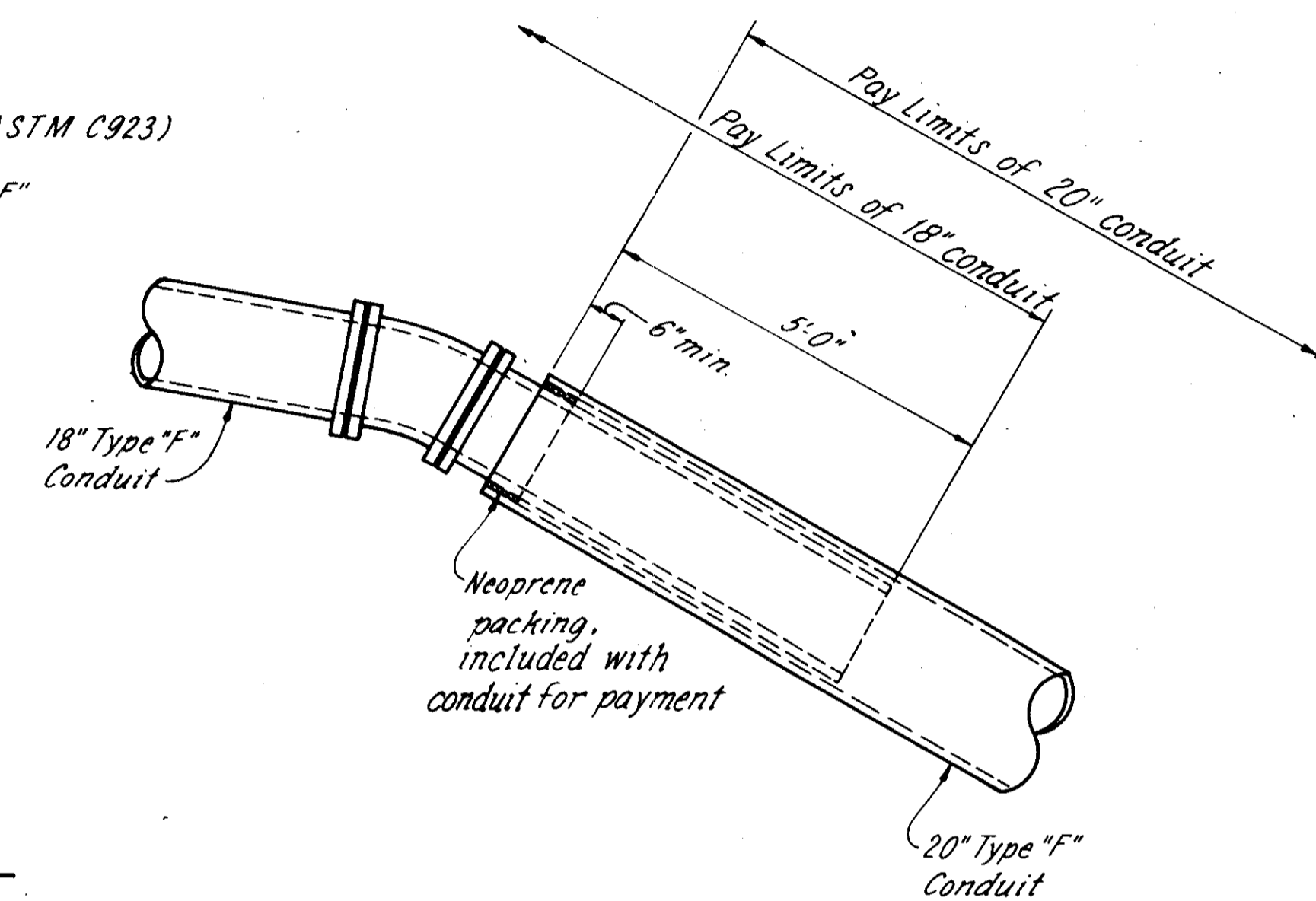


SECTION B-B



For Dimensions and Details not shown see  
Std. Drawings MH-1 or MH-3.

No.1 OR No.3 MANHOLE, AS PER PLAN



PIPE CONNECTION DETAIL