

20" & 24" PROFILES

(1D) & (4D)

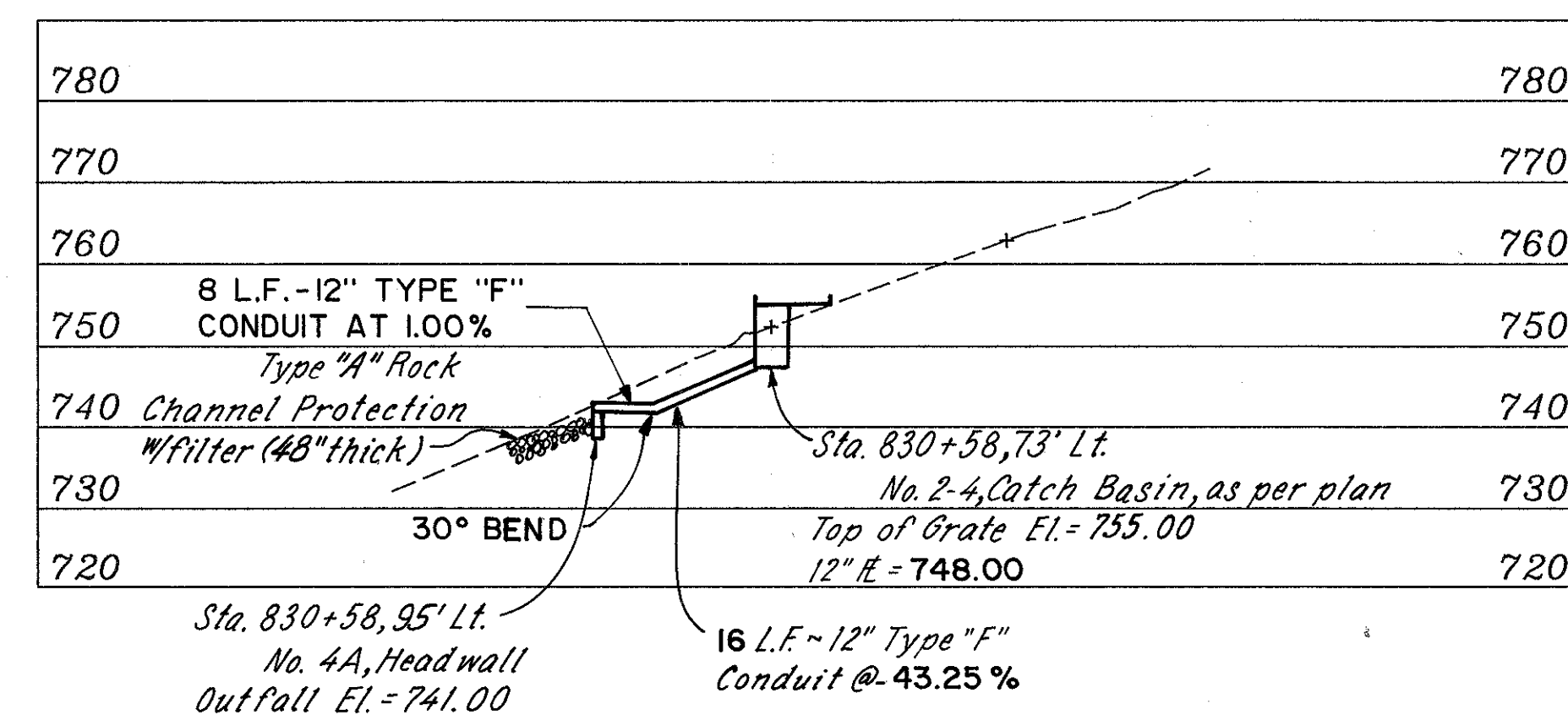
NOTES

PROFILES are along the center lines of pipes, stationing is projected.

MH-1, AS PER PLAN: for additional details see sheet 14.

CATCH BASIN 2-4, AS PER PLAN: for additional details see sheet 14.

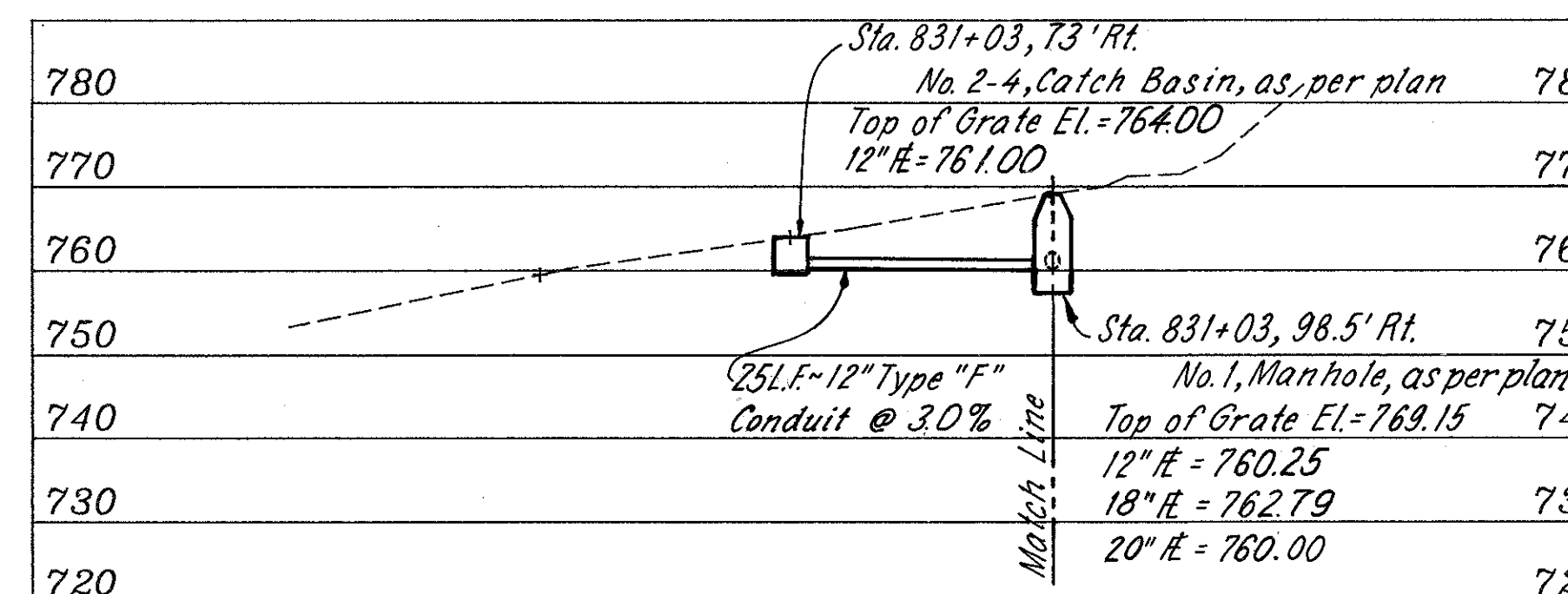
QUANTITIES are carried sheet 4.



12" PROFILE

AT PIER 1 (LEFT)

(2D)



12" PROFILE

AT PIER 1 (RIGHT)

(3D)



**PROFILE ALONG PIPES
STA. 829+00 TO STA. 834+50**

**BRIDGE NO. LAK-90-2342 (L&R)
OVER THE GRAND RIVER**

LAKE COUNTY I.R.90

DESIGNED	DRAWN	TRACED	CHECKED	REVIEWED	DATE	REVISED
DHT	KH	KH	JH	DAP	9/13/89	