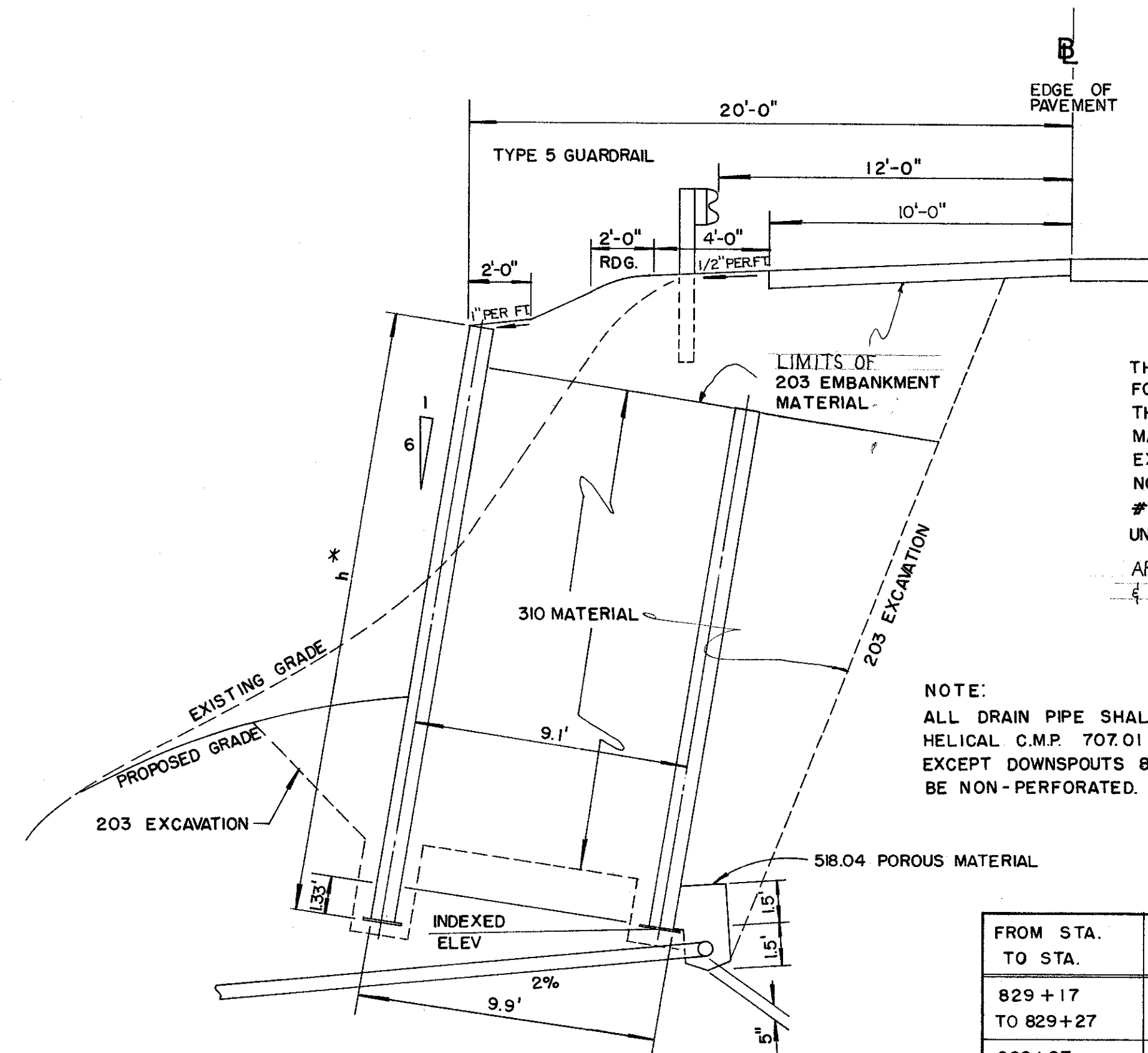


# DETAILS

FED. RD. DIVISION	STATE	PROJECT	
2	OHIO		

6  
8

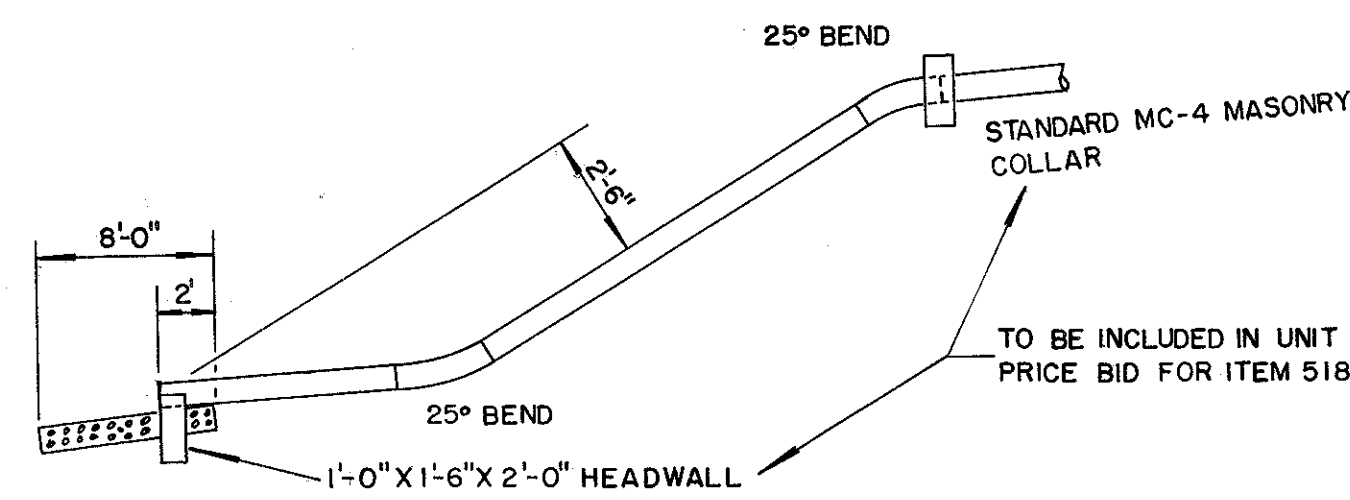
LAKE COUNTY  
LAK-90-22.43



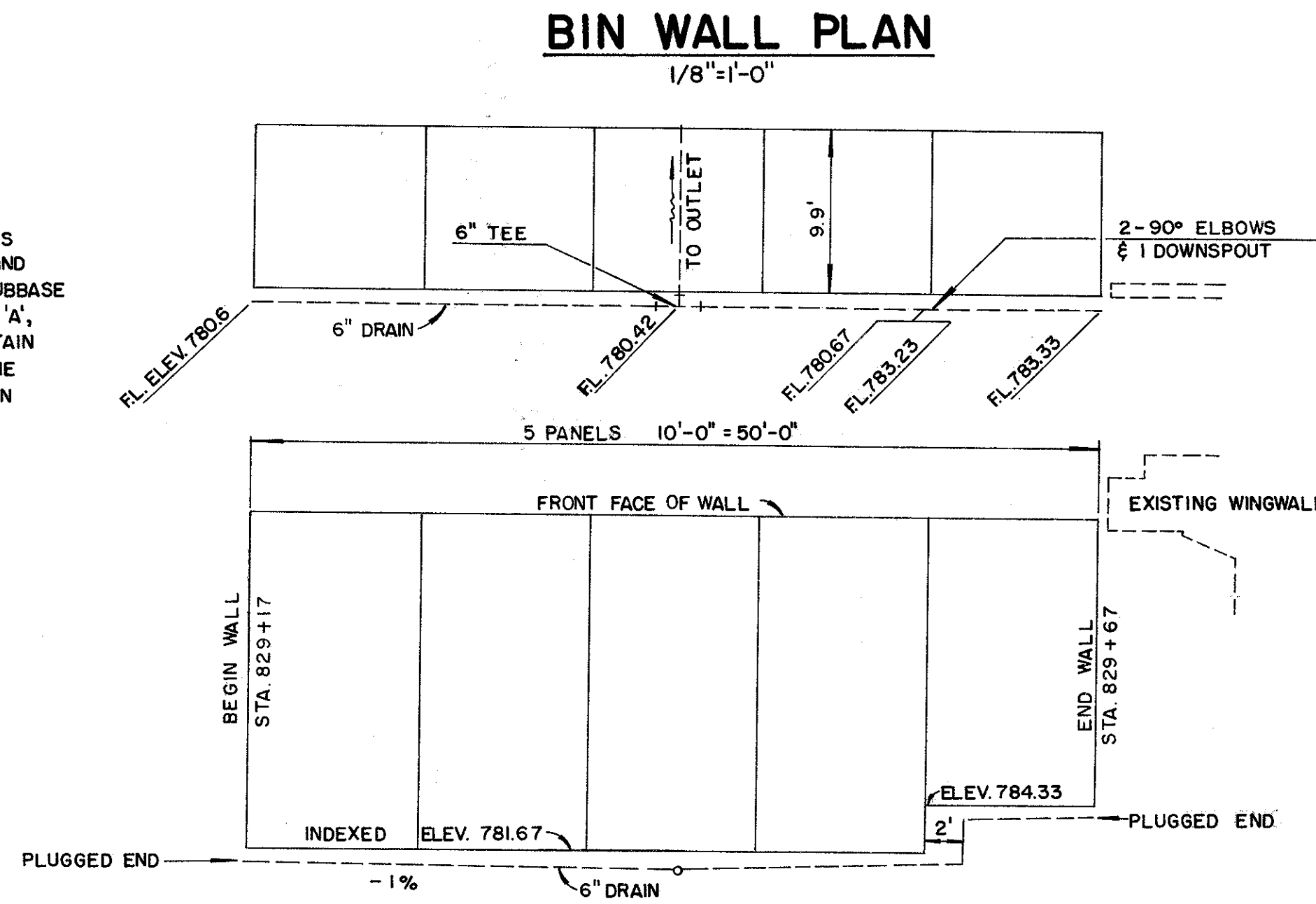
THE ENTIRE INTERIOR OF THE CELL SPACES FORMED BY THE UNITS & THE SPACE BEHIND THE WALL SHALL BE BACKFILLED WITH SUBBASE MATERIAL CONFORMING TO 310.02, GRADING 'A', EXCEPT THAT THE MATERIAL SHALL CONTAIN NOT MORE THAN 5 PER CENT PASSING THE #200 SIEVE, THE COST TO BE INCLUDED IN UNIT PRICE BID FOR ITEM 610  
APPROX. 315 C.Y. INTERIOR 310 FILLING  
& 200 C.Y. 310 BEHIND WALL

NOTE:  
ALL DRAIN PIPE SHALL BE ITEM 518-6 PERF HELICAL C.M.P. 707.01 INCLUDING SPECIALS, EXCEPT DOWNSPOUTS & OUTLET PIPE SHALL BE NON-PERFORATED.

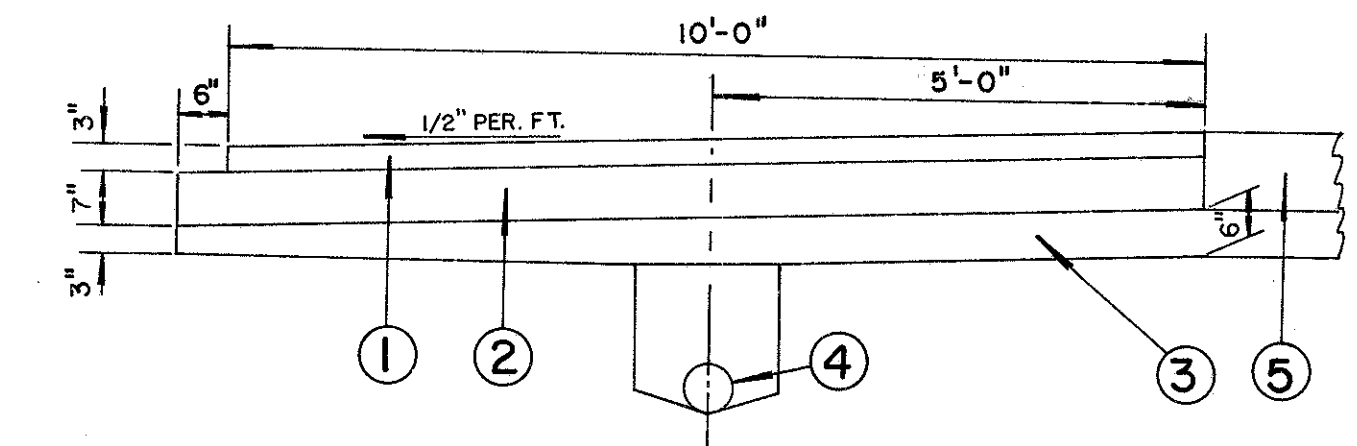
FROM STA. TO STA.	* h FT.
829+17 TO 829+27	20
829+27 TO 829+37	20
829+37 TO 829+47	20
829+47 TO 829+57	20
829+57 TO 829+67	17.33



**BIN WALL TYPICAL SECTION**  
1/4" = 1'-0"

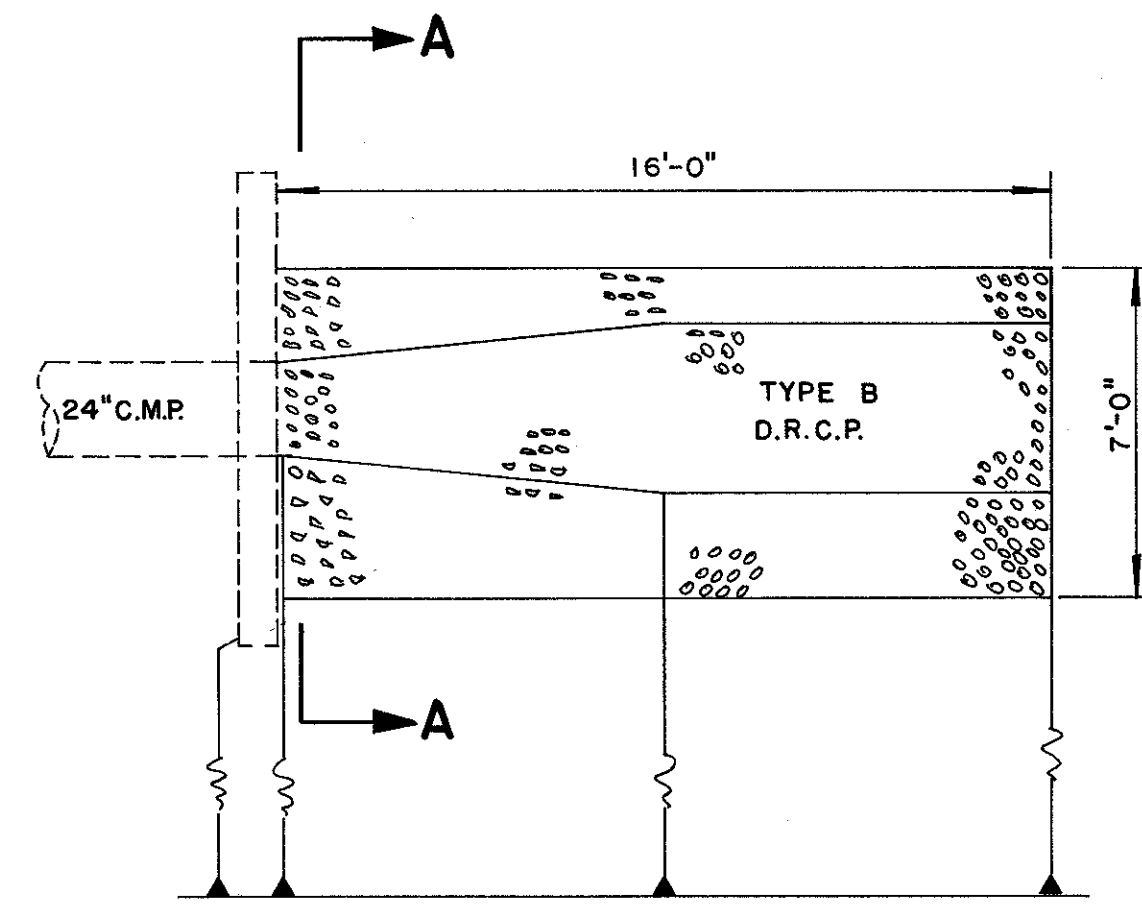


**BIN WALL ELEVATION**  
1/8" = 1'-0"

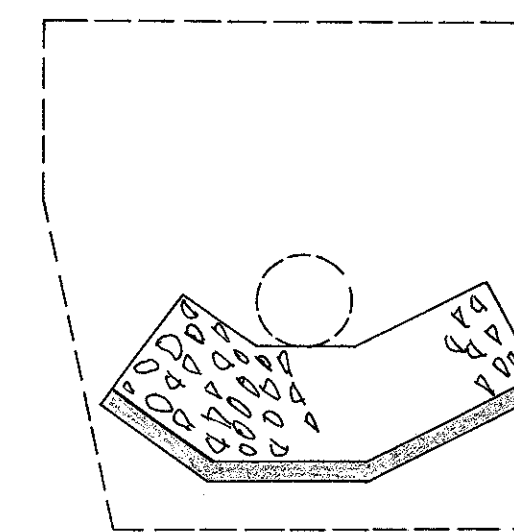


- ① 301 BIT. AGG. BASE 702.01 (85-100 OR AC-20) OR 702.09 RT. 12 OR 11
- ② 304 AGGREGATE BASE
- ③ 310 SUBBASE, REGULAR GRADING
- ④ 605 UNDERDRAINS, SHALLOW
- ⑤ 451 10" REIN. PORT. CEMENT CONC. PAVEMENT

**SHOULDER TYPICAL SECTION**  
1/2" = 1'-0"

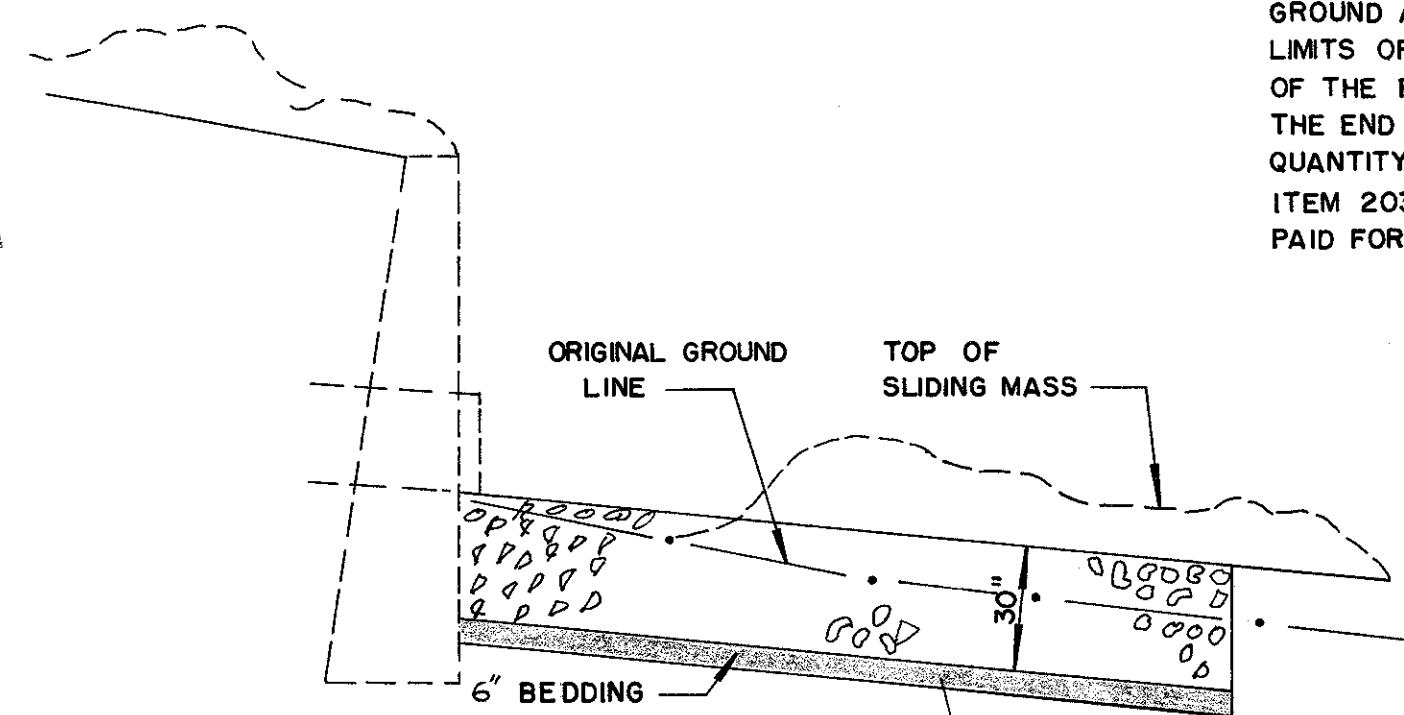


**PLAN**

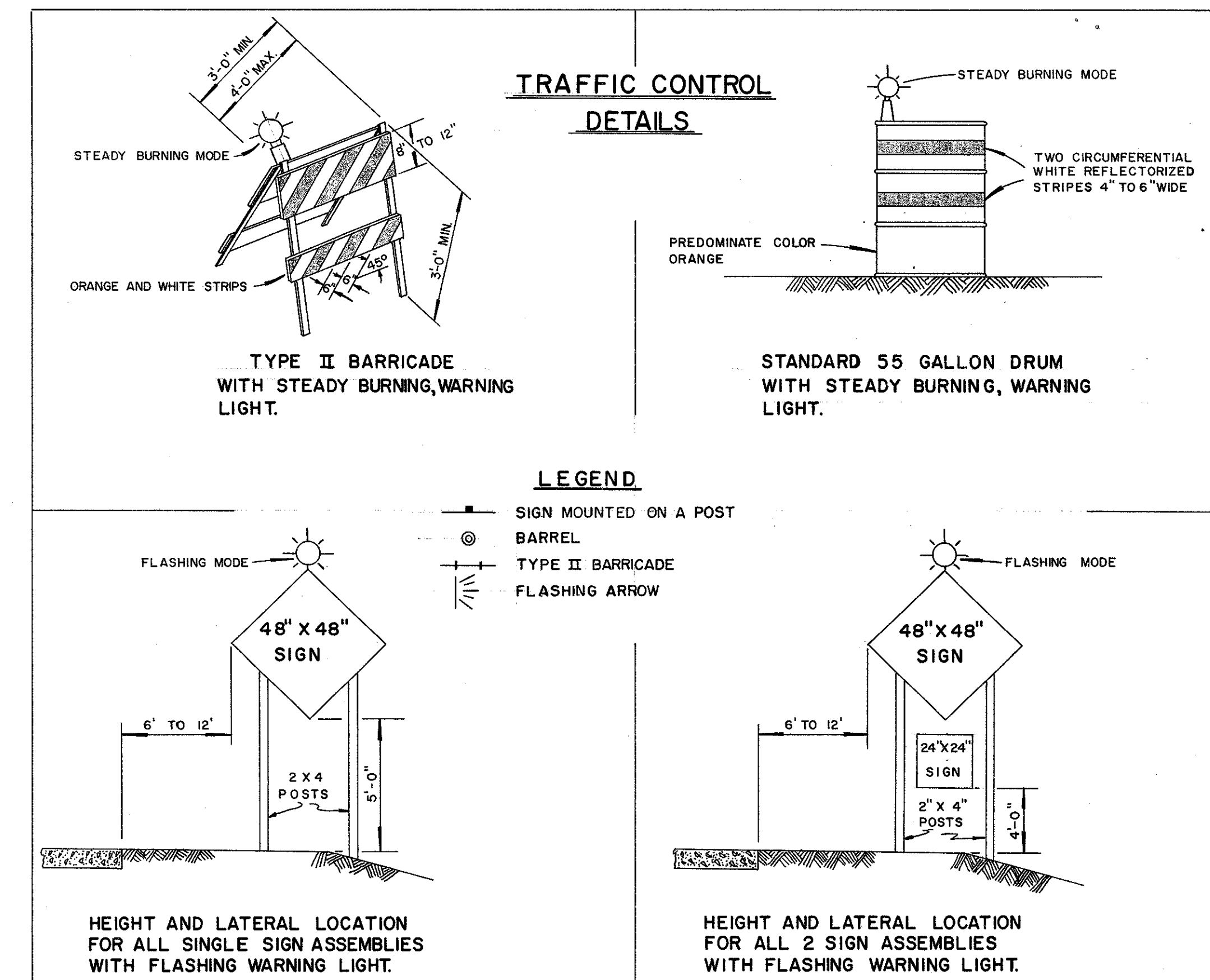


**SECTION A-A**

NOTE:  
DUMPED ROCK AND BEDDING SHALL BE FOUNDED ON FIRM GROUND AND THE OUTLET CHANNEL GRADE WITHIN THE LIMITS OF THE DUMP ROCK SHALL CONFORM TO THE GRADE OF THE FIRM GROUND. A CLEAR OUTLET CHANNEL BEYOND THE END OF THE DUMP ROCK SHALL BE PROVIDED. THE QUANTITY FOR CHANNEL EXCAVATION HAS BEEN INCLUDED IN ITEM 203 EXCAVATION INCLUDING EMBANKMENT IS TO BE PAID FOR AS A PART OF THAT ITEM.



**OUTLET DETAIL AT BASE OF SLOPE**  
1/4" = 1'-0"



**TRAFFIC CONTROL DETAILS**

**LEGEND**