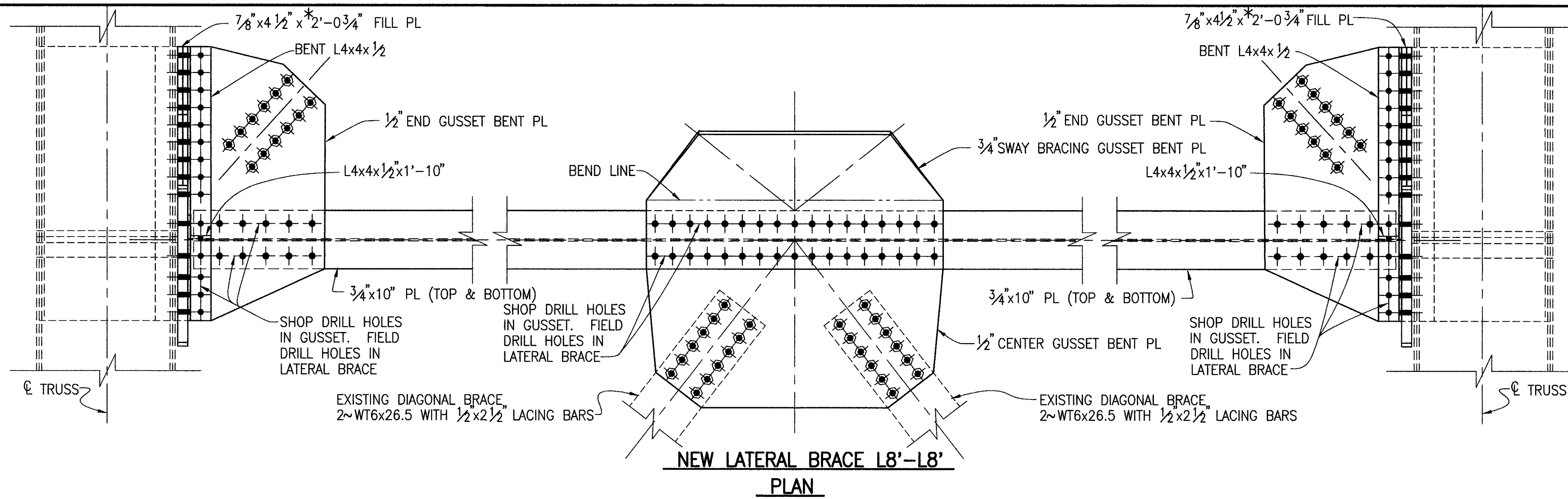
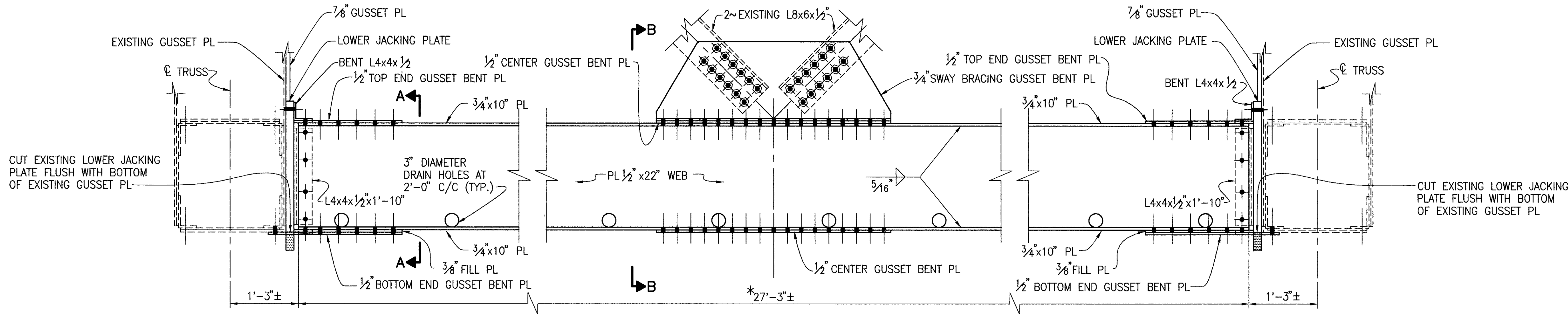


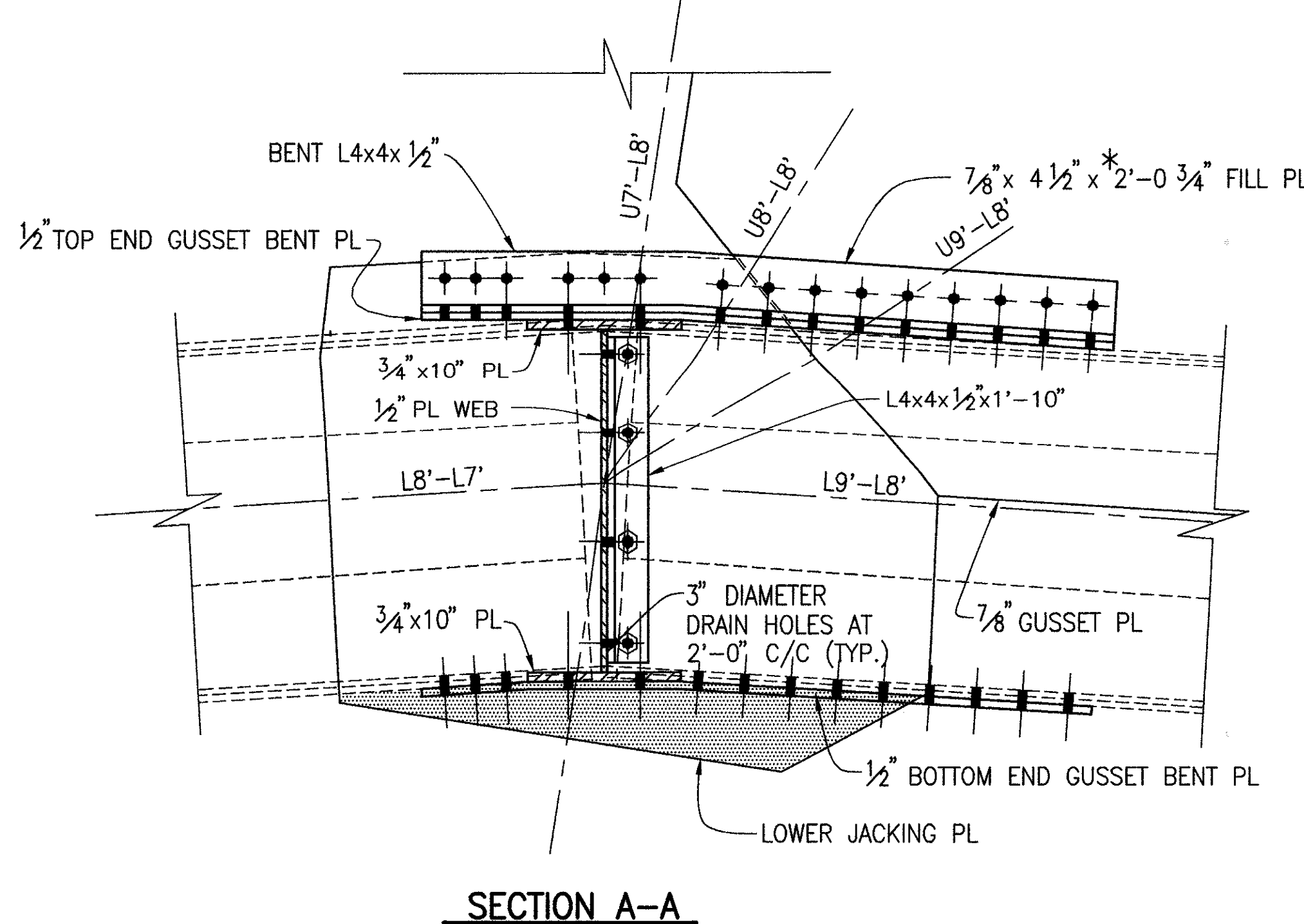
Job No. 96073NLB Date 2/24/97 Drawn By JLS



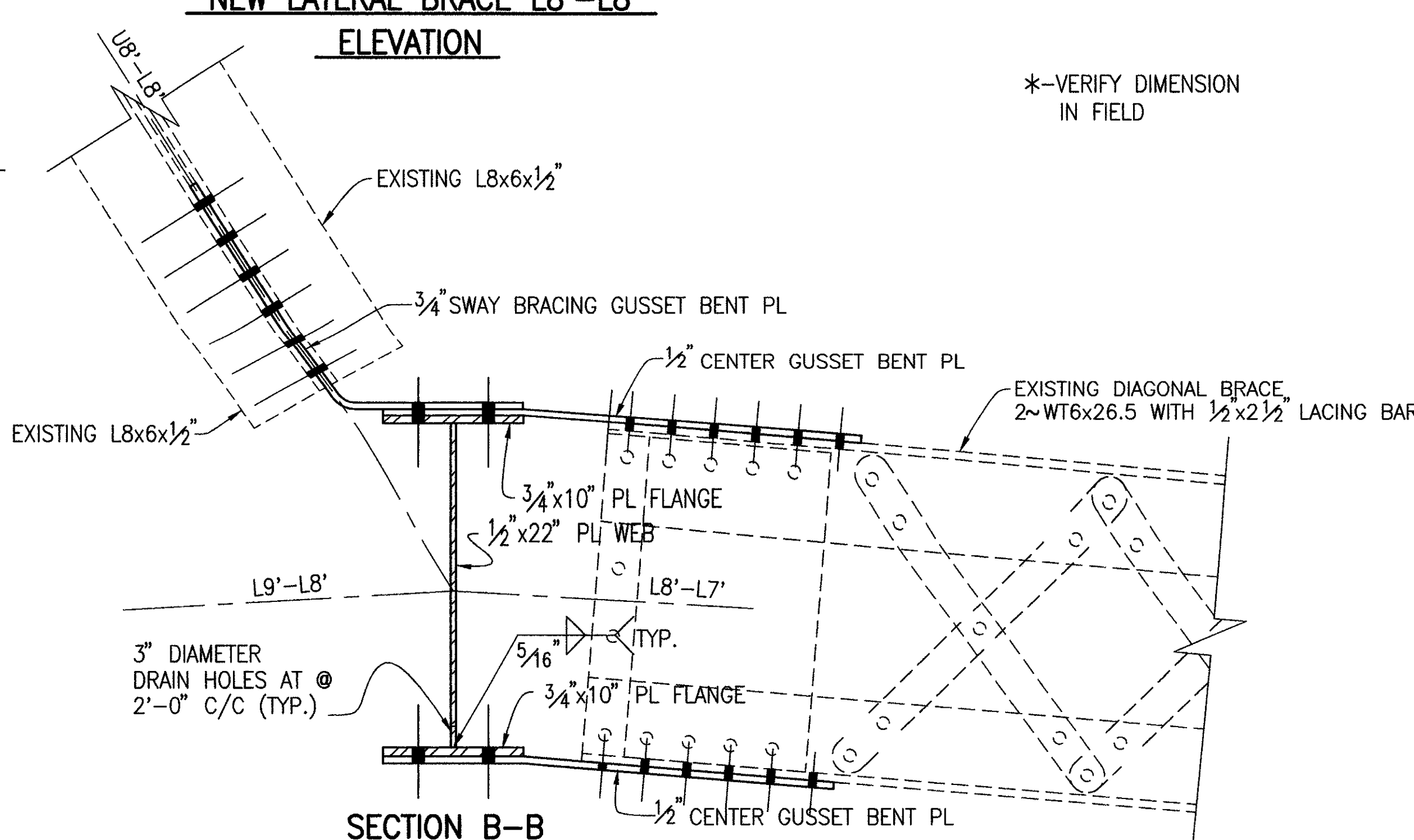
**NEW LATERAL BRACE L8'-L8'**  
**PLAN**



**NEW LATERAL BRACE L8'-L8'**  
**ELEVATION**



**SECTION A-A**



**SECTION B-B**

\*-VERIFY DIMENSION IN FIELD

█ - INDICATES MATERIAL TO BE REMOVED

**BOLT LEGEND**

- ⊕ NEW BOLT IN NEW HOLE
- ⊙ NEW BOLT IN EXISTING BOLT HOLE

**NOTES**

MATERIALS ARE NEW UNLESS OTHERWISE NOTED  
 GUSSET PLATE DETAILS SEE SHEET NO. 18.  
 BOLT HOLES ARE TO BE DRILLED IN FIELD TO MATCH EXISTING RIVET AND BOLT LOCATIONS UNLESS NOTED  
 LOCATIONS FOR INSTALLATION: SEE SHEET NO. 6.

**NEW LATERAL BRACING - 1**  
 BRIDGE NO. LAK-90-2342 R  
 OVER THE GRAND RIVER

**LAK-90-23.42 L&R**

DESIGNED	BLN	CHECKED	DLR
DRAWN	RB	REVISED	
REVIEWED	DAP	STRUCTURE FILE NO.	4304985
DATE	7/10/96		

RICHLAND ENGINEERING LIMITED  
 29 NORTH PARK STREET  
 MANSFIELD, OHIO 44902