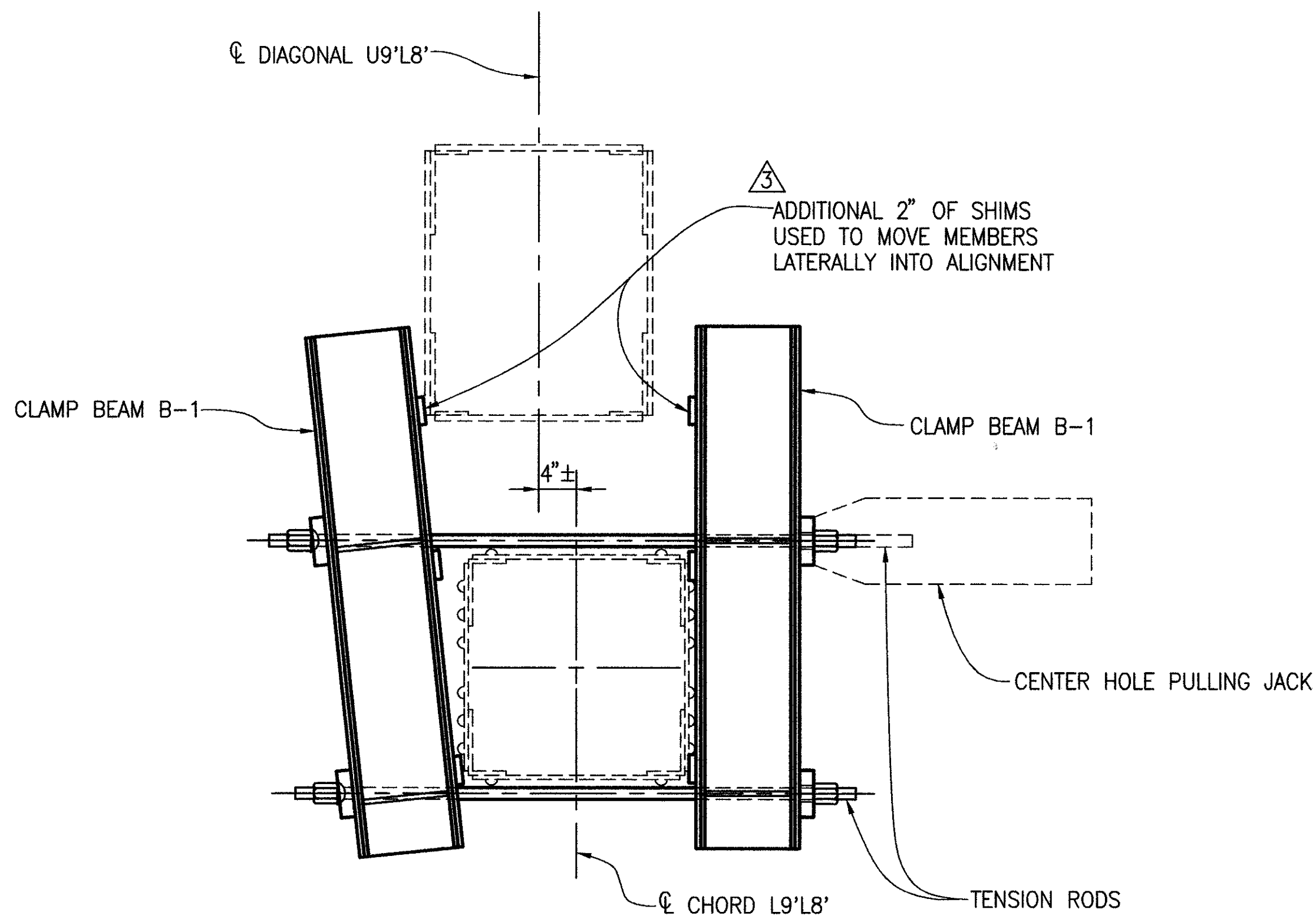
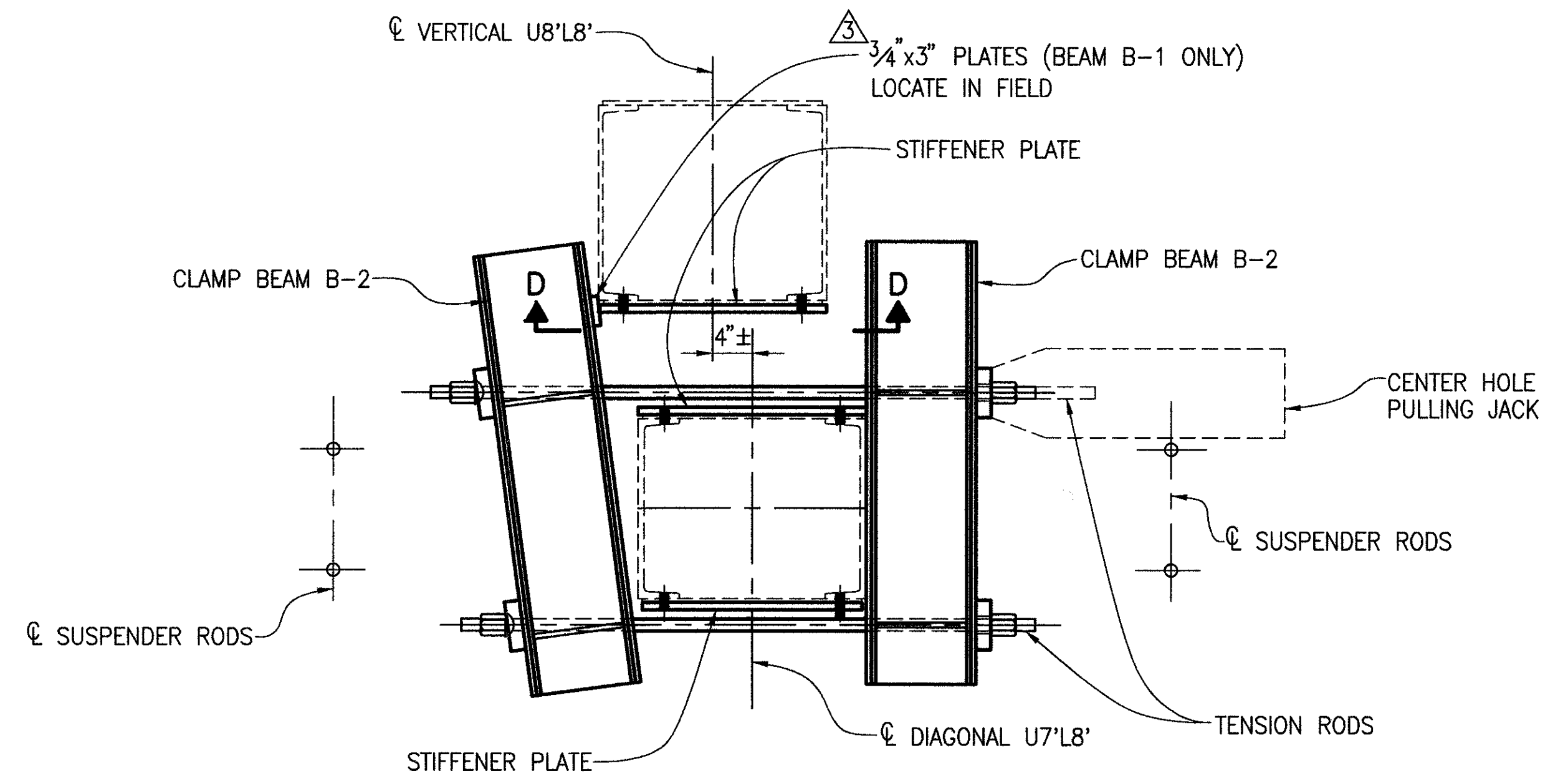


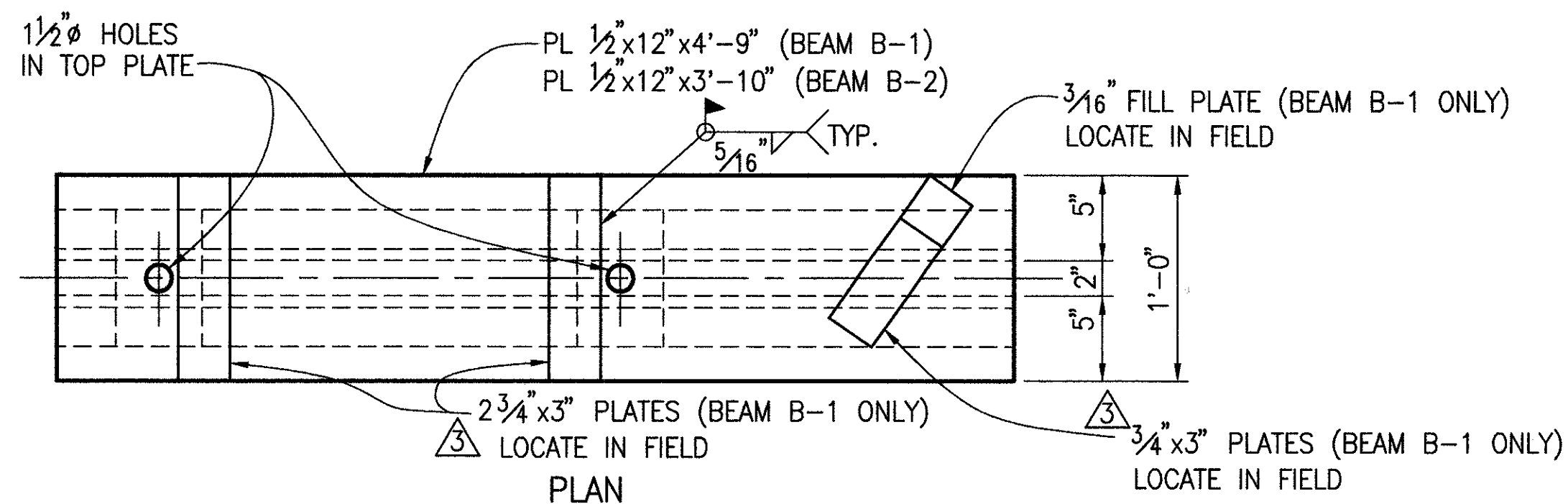
Job No. 96073CB Date 3/12/97 Drawn By JLS/JPS



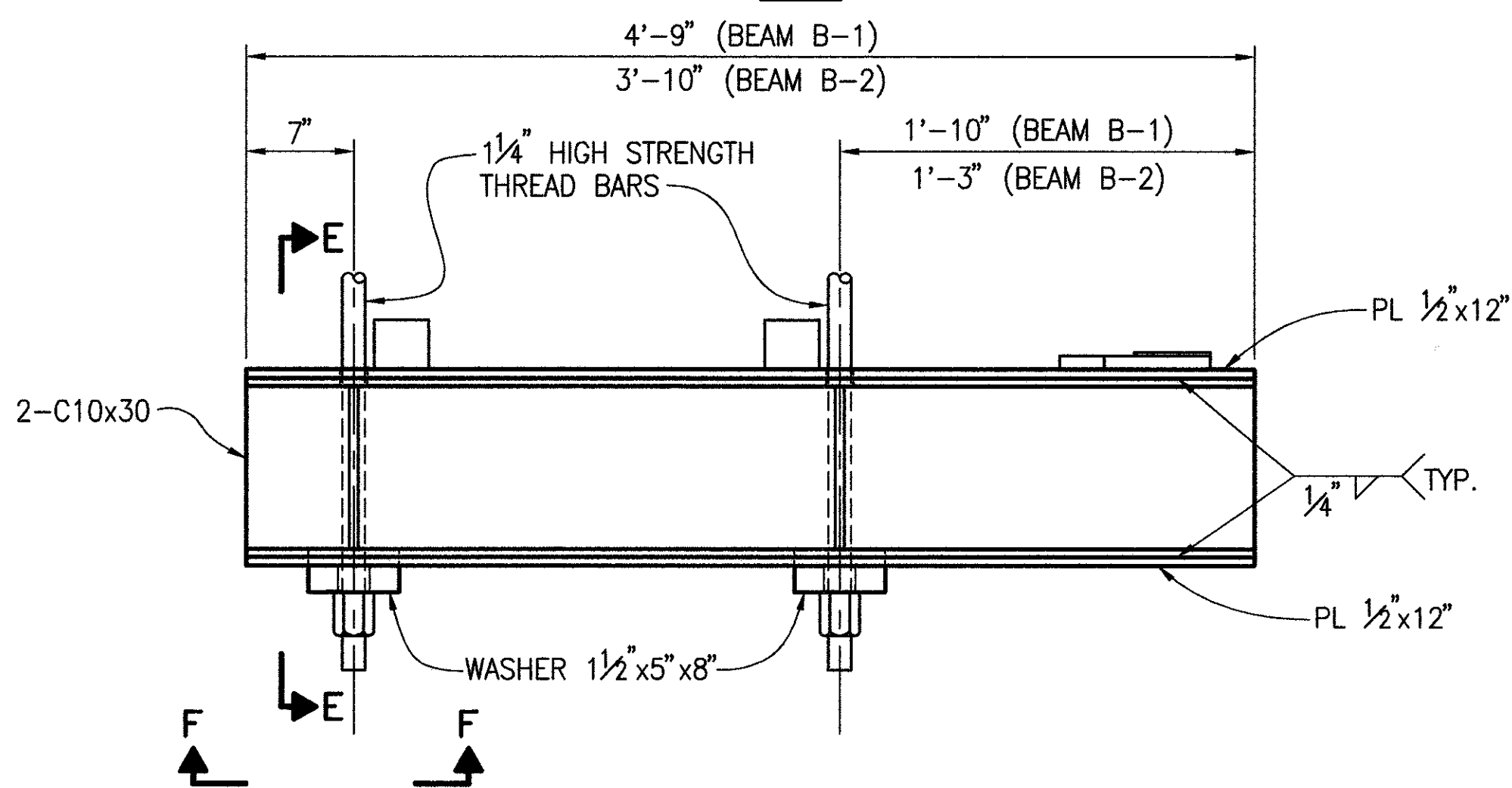
SECTION B-B



SECTION C-C

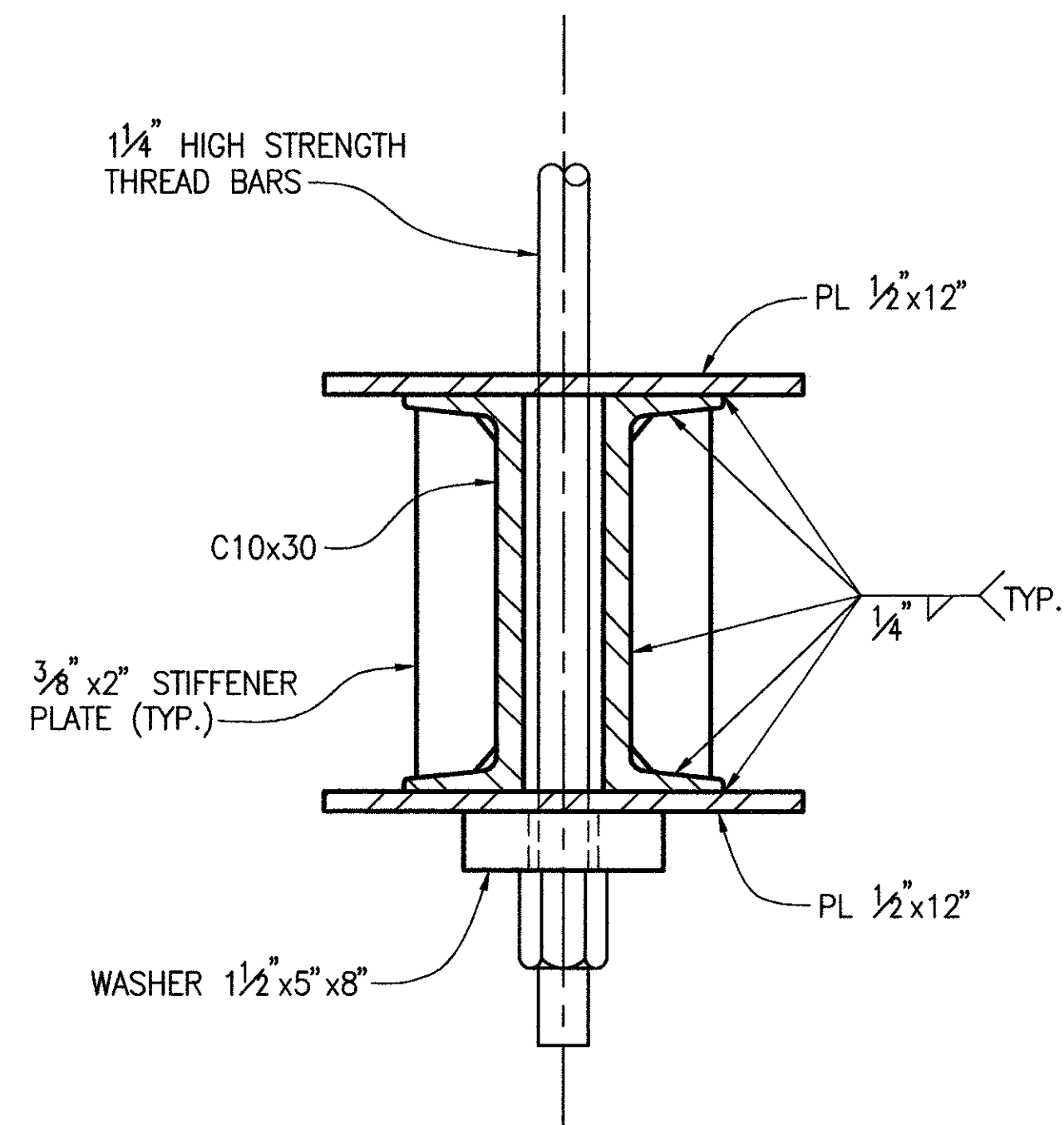


PLAN

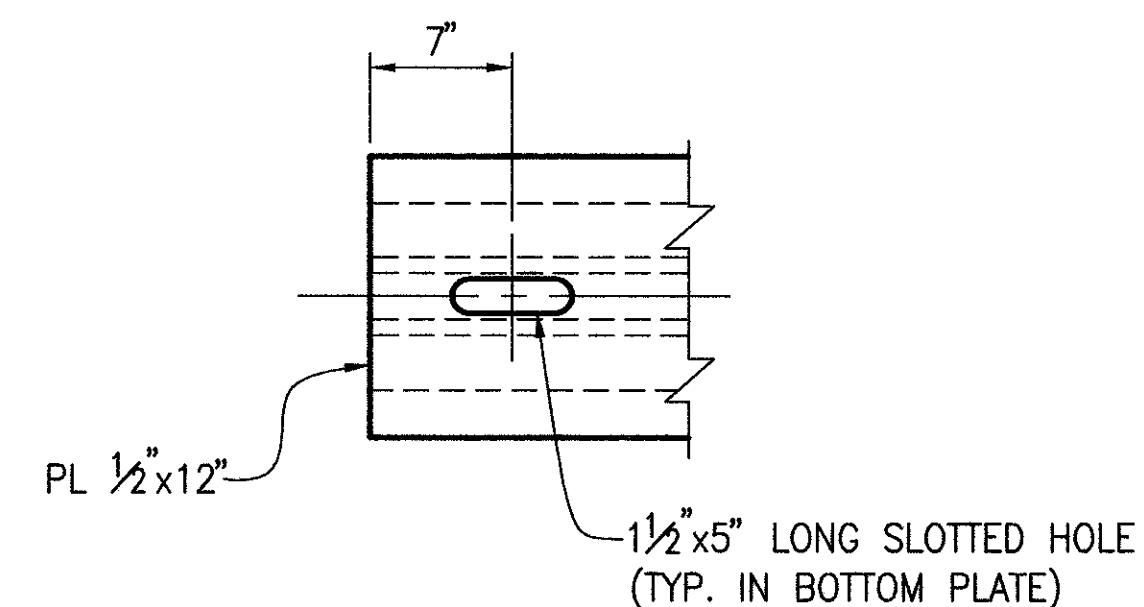


ELEVATION

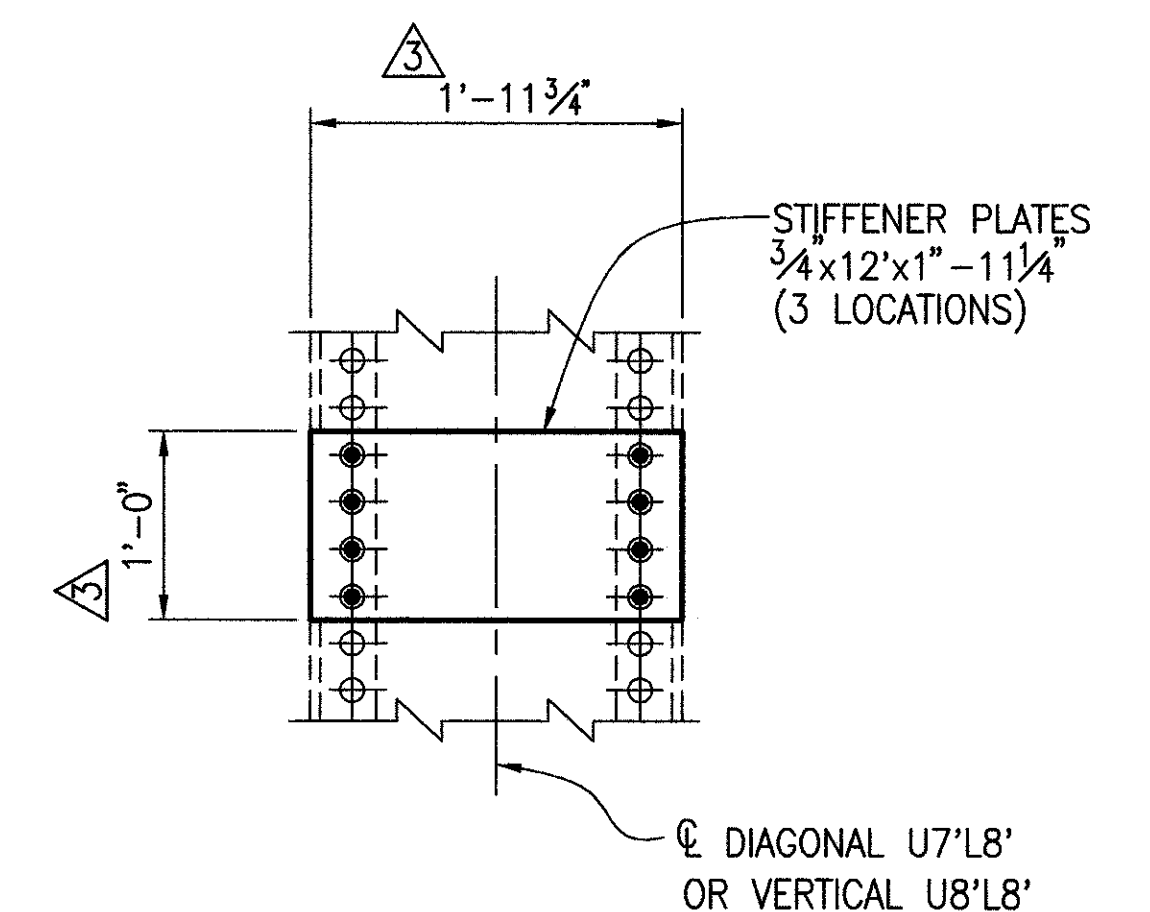
CLAMP BEAM



SECTION E-E



VIEW F-F



VIEW D-D

NOTES

SECTIONS B-B & C-C: SEE SHEET NO. 3 FOR LOCATIONS.

RELEASED FOR FABRICATION 7/10/96