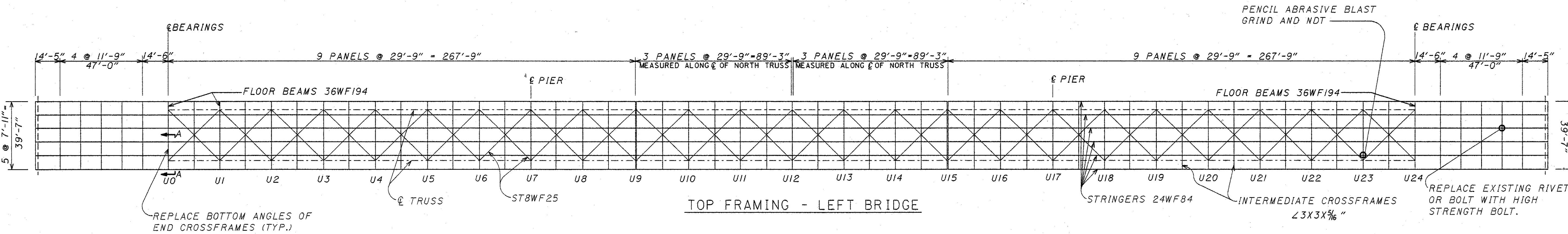


PLOT SUBMITTED: 26-JUL-1994 13:13

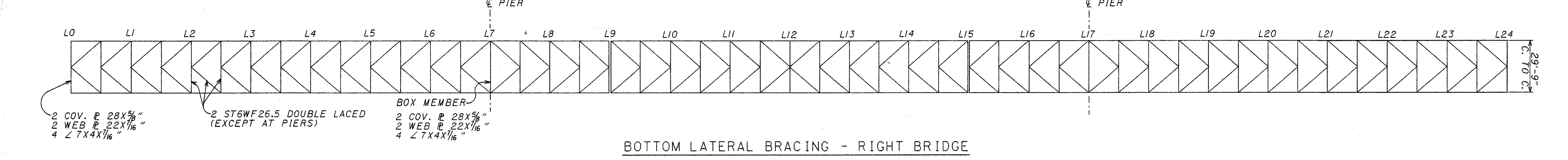
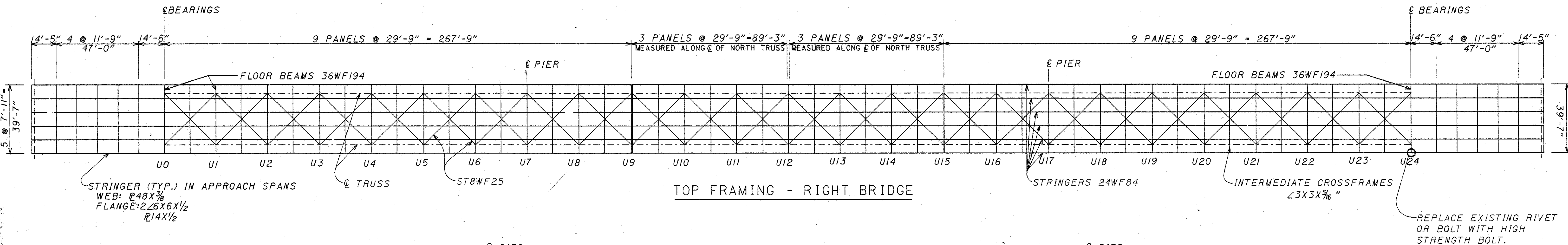
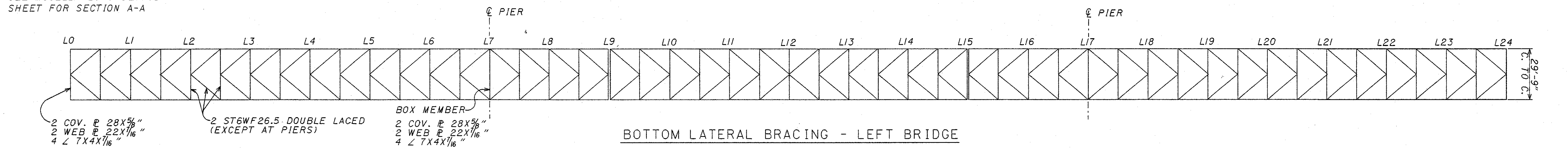
filename.dgn

c:\dgn\bridges\choma\lak90234.dgn

PLOTTED BY: ullman  
PLOTTED FROM: c:\dgn\bridges\choma\lak90234.dgn



SEE MISCELLANEOUS DETAIL SHEET FOR SECTION A-A



ALL EXISTING DIMENSIONS ARE ±

OHIO DEPARTMENT OF TRANSPORTATION DISTRICT 12 BRIDGE DEPT.
DATE: 6/24/94
DESIGNED: BGW
DRAWN: ABP
CHECKED: DWL
REVISED: MPC
STRUCTURE FILE NUMBER: 4304950
PROJECT NUMBER: 4304985
FRAMING PLAN LAK-90-2342 L&R I-90 OVER THE GRAND RIVER
LAKE COUNTY LAK-90-23.42
6/11