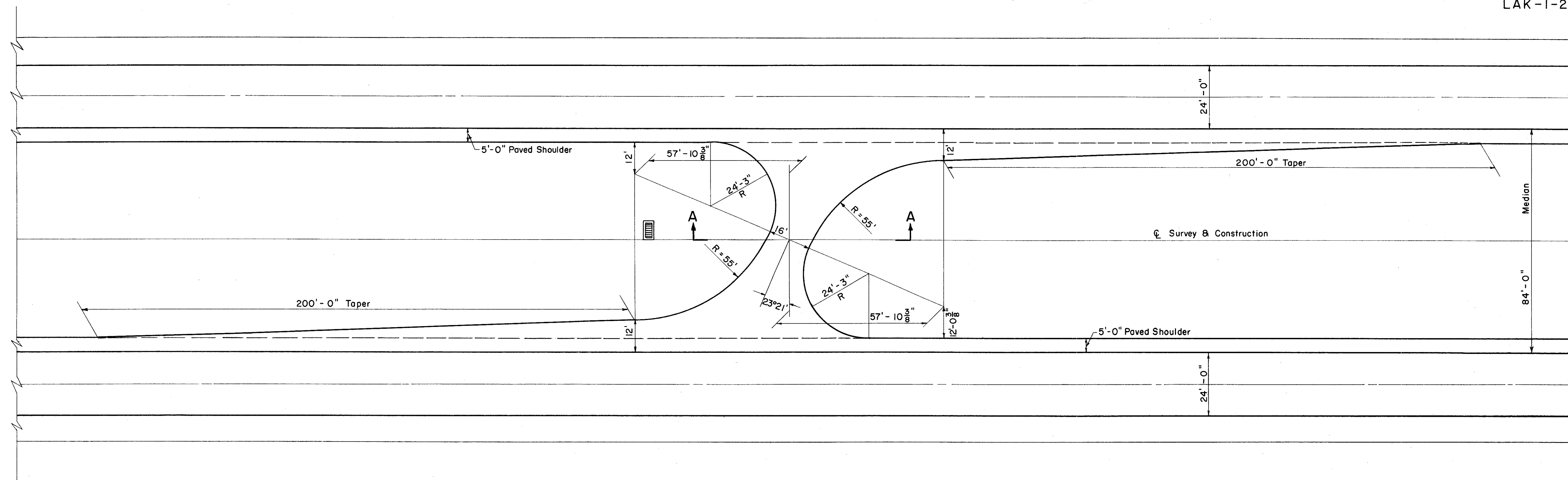


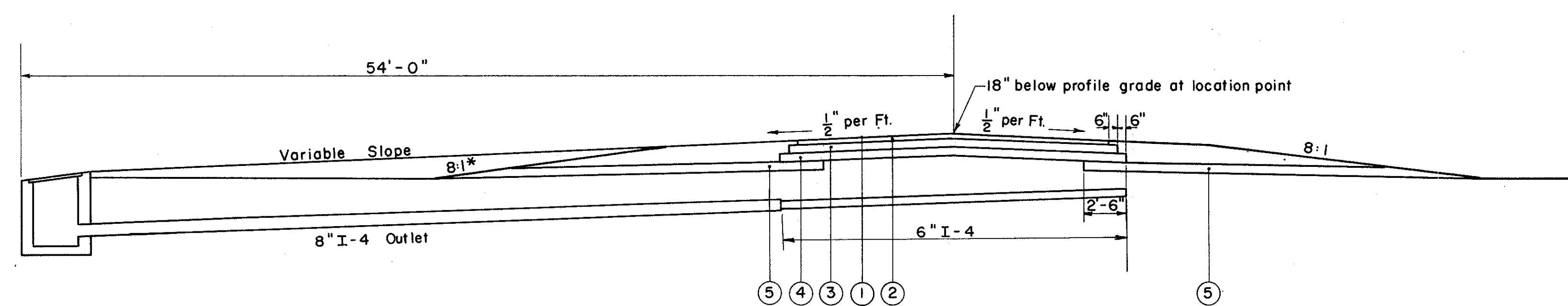
TYPICAL CROSS OVER

FED. RD. DIVISION	STATE	PROJECT	253 280
2	OHIO	ACI-1103(29)	

LAKE COUNTY
LAK-1-22.60



SCALE: 1" = 20'-0"



* Method of Subbase Drainage at locations where no Catch Basin is proposed.

SECTION A-A

SCALE: $\frac{3}{16}$ " = 1'-0"

- ① T-31 Bituminous Surface Treatment.
- ② B-33 3" Bituminous Macadam Base Course.
- ③ I-18 5" Stabilized Crushed Aggregate.
- ④ I-22 6" Subbase.
- ⑤ I-9 Stone Underdrain (No. 2)*