

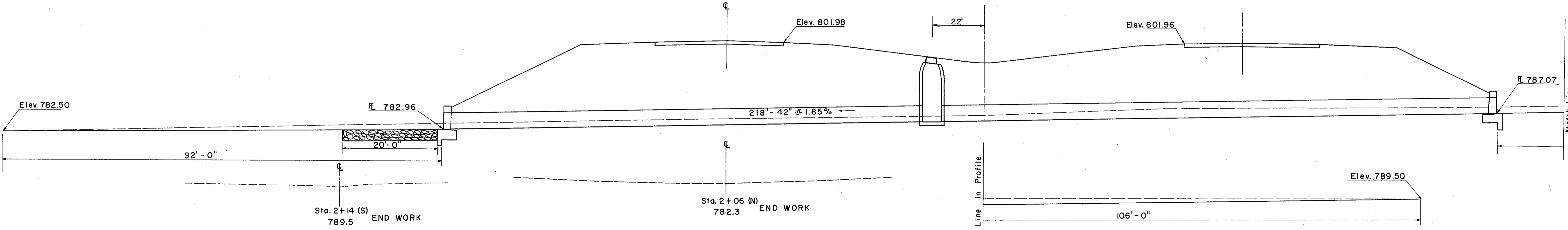
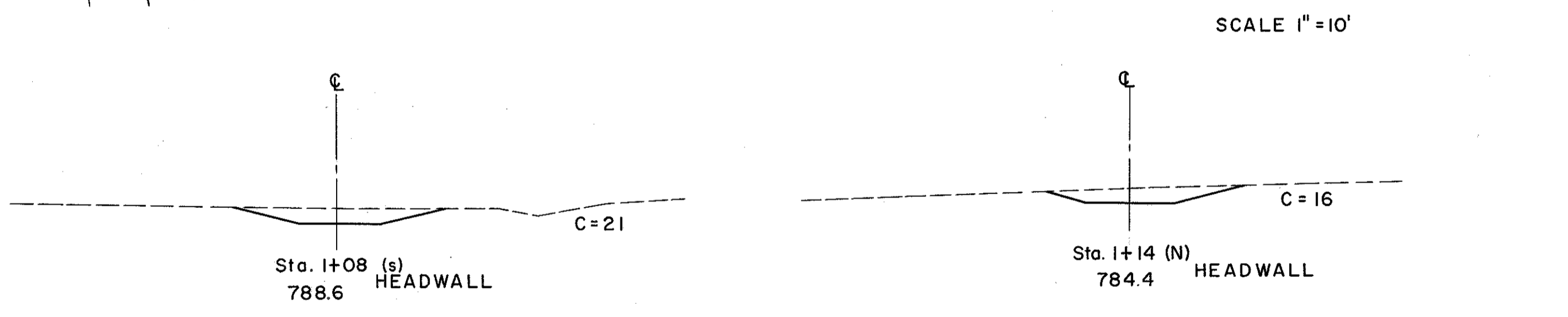
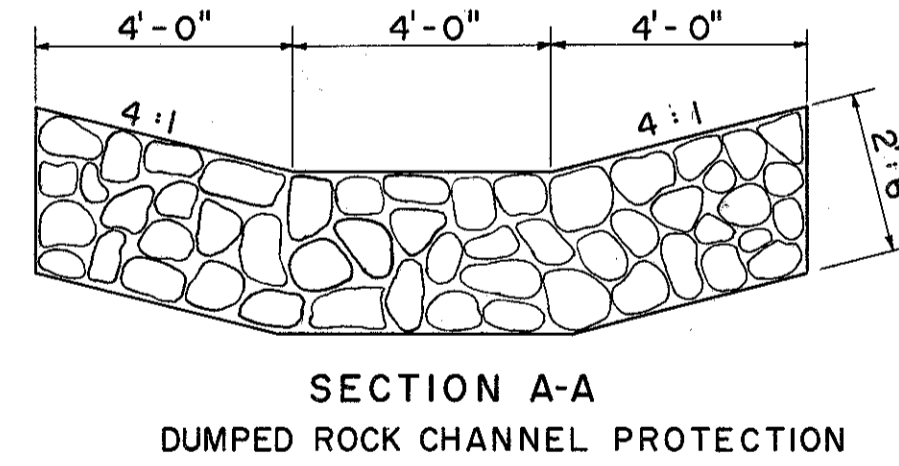
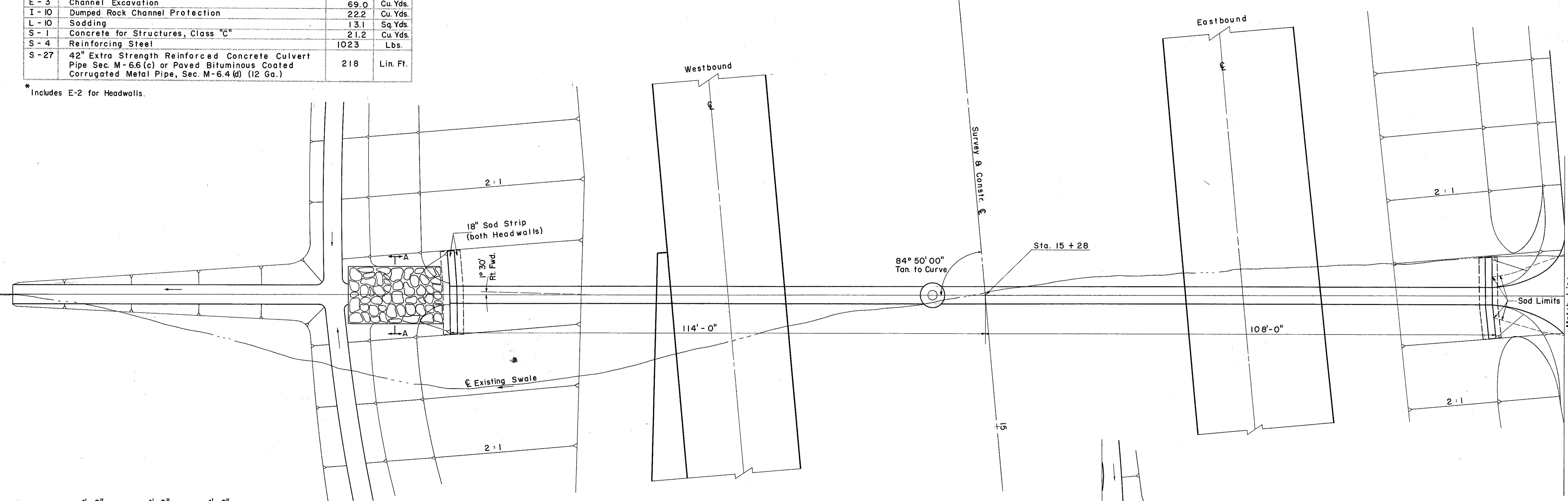
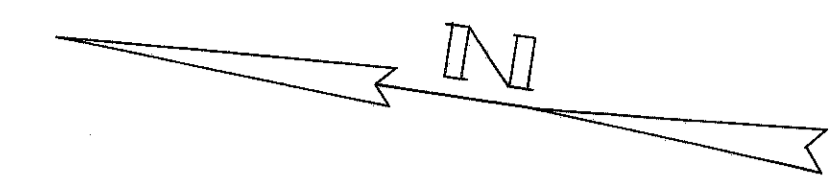
ESTIMATED QUANTITIES

ITEM	DESCRIPTION	QUANTITY	UNIT
*E-2	Excavation for Structures	122	Cu. Yds.
E-3	Channel Excavation	69.0	Cu. Yds.
I-10	Dumped Rock Channel Protection	22.2	Cu. Yds.
L-10	Sodding	13.1	Sq. Yds.
S-1	Concrete for Structures, Class "C"	21.2	Cu. Yds.
S-4	Reinforcing Steel	1023	Lbs.
S-27	42" Extra Strength Reinforced Concrete Culvert Pipe Sec. M-6.6 (c) or Paved Bituminous Coated Corrugated Metal Pipe, Sec. M-6.4 (d) (12 Ga.)	218	Lin. Ft.

\*Includes E-2 for Headwalls.

FED. RD. DIVISION	STATE	PROJECT	
2	OHIO	ACI-1103(29)	247 280

LAKE COUNTY  
LAK - 1 - 22.60



AREA = 35 ACRES  
Q<sub>50</sub> = 69 C.F.S.

HEADWATER = 5.5 FT.  
OUTLET VELOCITY = 13.5 FRP.

STRUCTURE NO. LAK-1-26 37