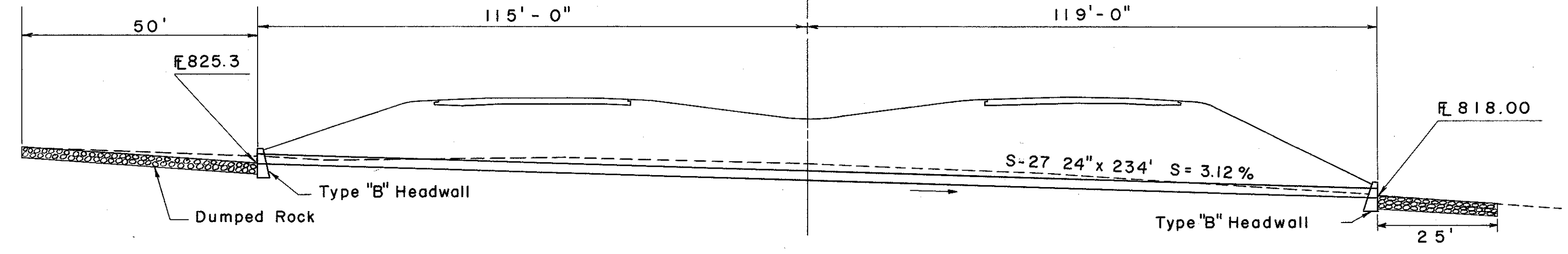
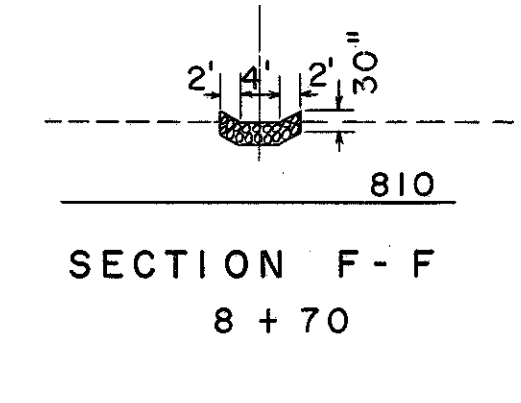
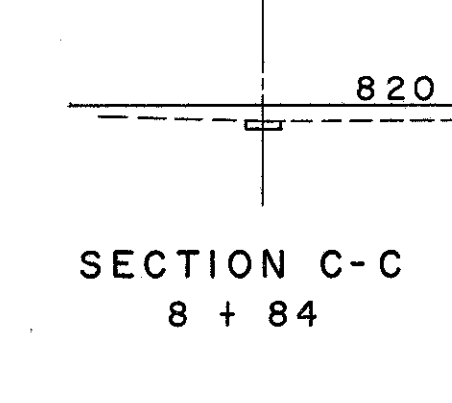
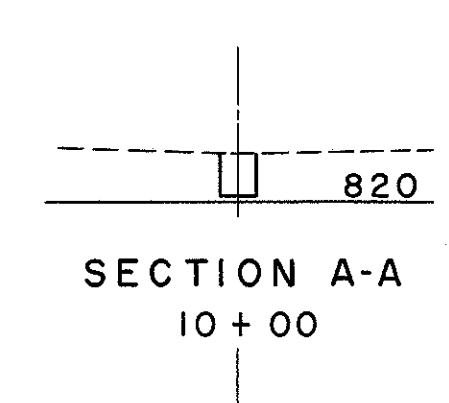
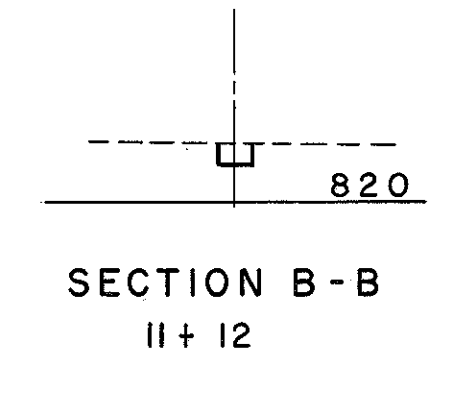
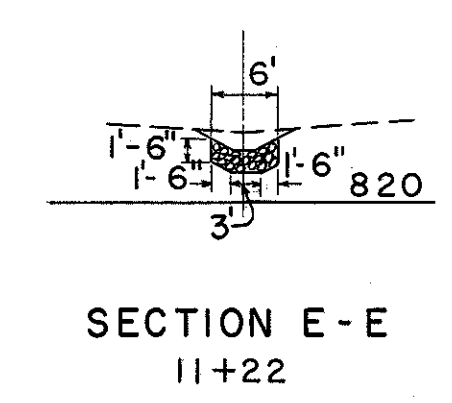
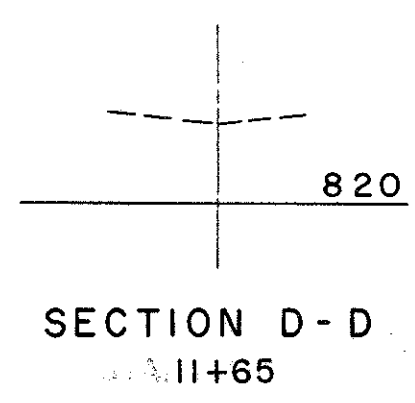


AREA = 6.0 ACRES  
Q50 = 22 C.F.S.

HEADWATER 2.8 FT.  
OUTLET VELOCITY 12.1 F.P.S.

Scale 1" = 20'



**ESTIMATED QUANTITIES**

* E-2 Excavation for Structures	110	C.Y.
E-3 Channel Excavation	10	C.Y.
S-1 Conc. for Structures Class "C"	10.7	C.Y.
S-4 Reinforcing Steel	483	Lbs.
S-27 24" Pipe for Roadway Culverts	234	L.F.
L-10 Sodding	5.4	S.Y.
I-10 Dumped Rock	46.5	C.Y.

\*Includes E-2 for Headwalls.

**CULVERT DATA**  
 TYPE : S-27 - M-6.6 (b)  
 SIZE : 24" x 234"  
 WORK REQ'D Build a pipe culvert with type B Endwalls, place dumped rock on right, excavate channel on left, place sodding right and left as shown.