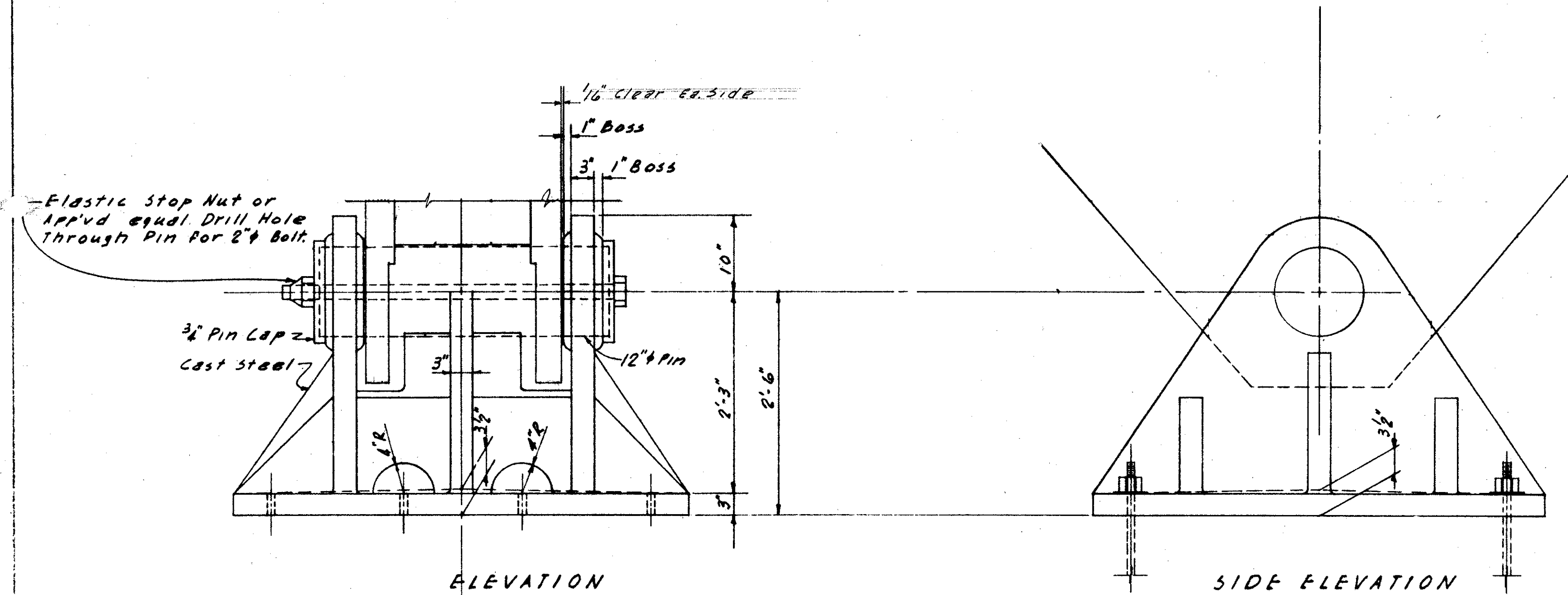


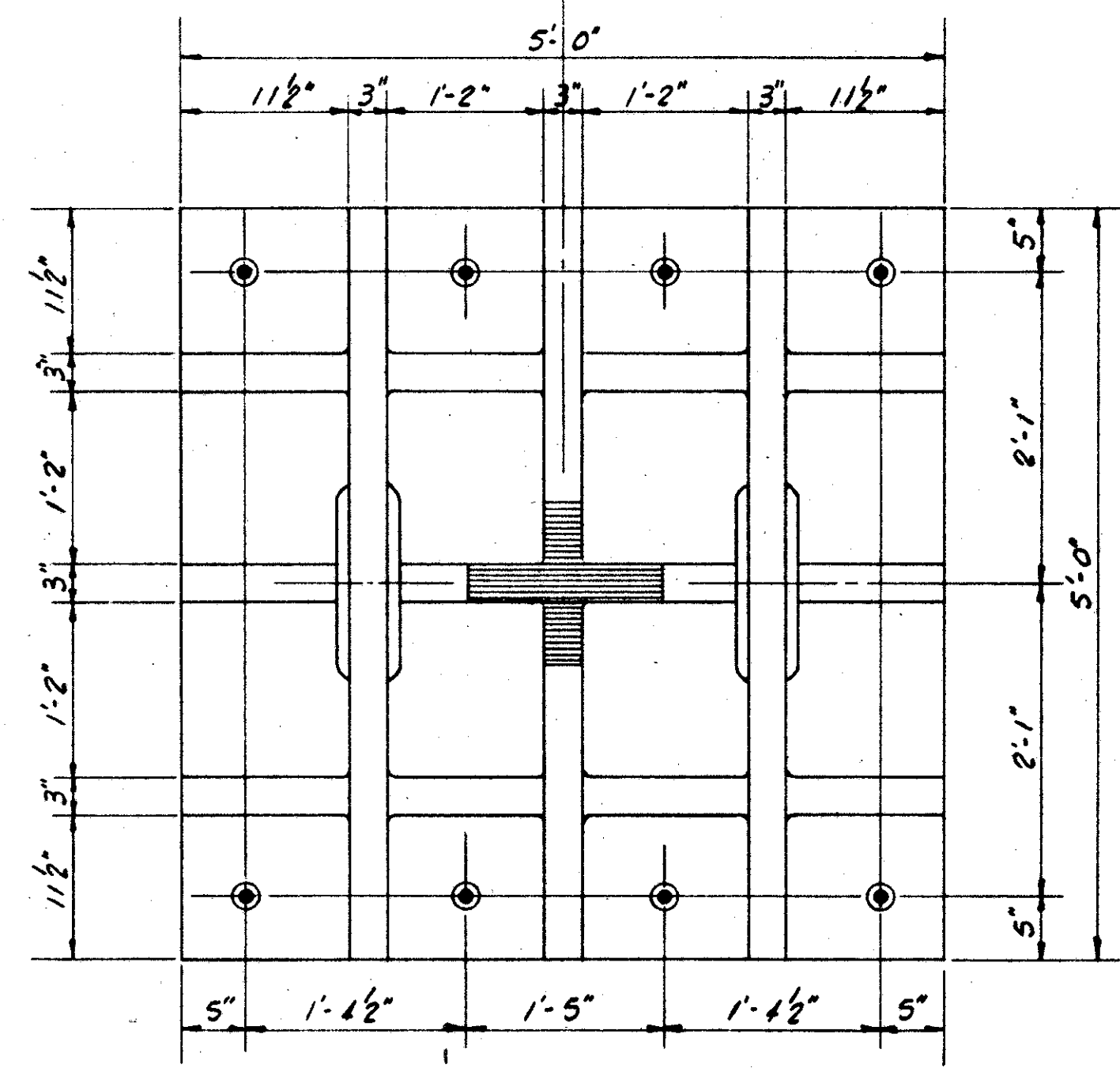
FED. ROAD DIVISION	STATE	PROJECT	51R 55
2	OHIO	ACI-1103(30)	

LAKE COUNTY  
SEC-LAK-1-22.43

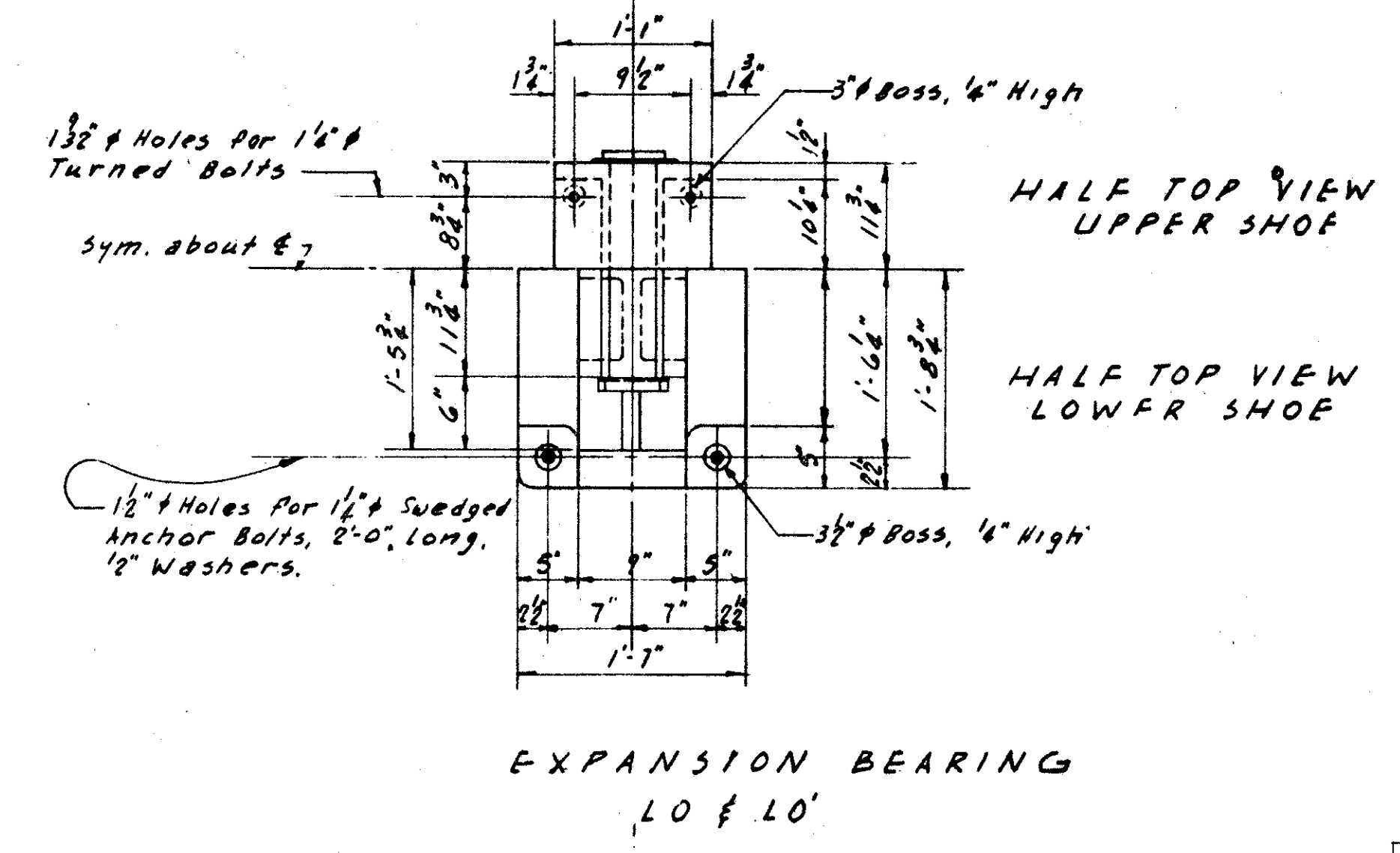
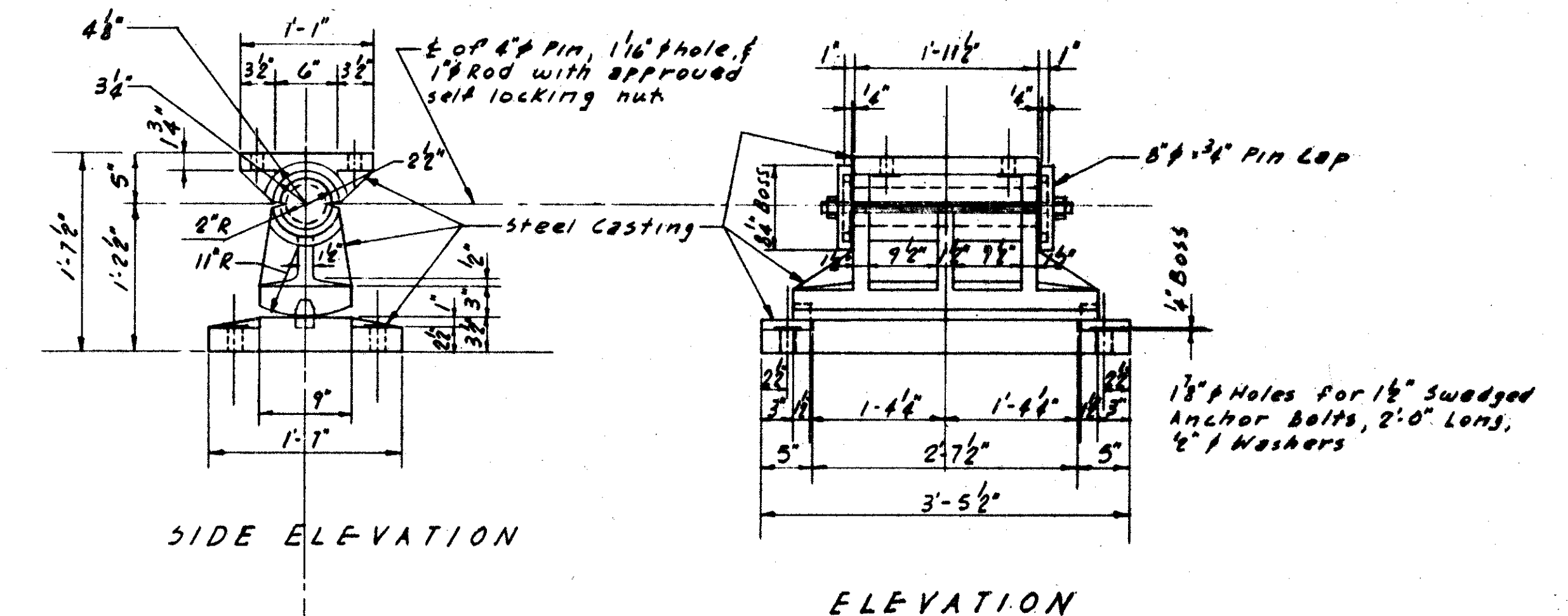
Revised



FIXED TRUSS BEARING  
L7 & L7'



1/2\"/>



EXPANSION BEARING  
L0 & L0'

This sheet is to be used for construction and supersedes Sheet No. (5) of the Bidding Plans. 9.16.58

SEC. C-348 FED. AID PROJ. ACI-1103(30)

PREPARED BY  
CAPITOL ENGINEERING ASSOCIATES, DILLSBURG, PA.  
FOR

STATE OF OHIO  
DEPARTMENT OF HIGHWAYS

BEARING DETAILS  
BRIDGE NO. LAK-1-2252  
OVER GRAND RIVER  
LAKE COUNTY

STA. 833+75.00

DESIGNED	DRAWN	TRACED	CHECKED	REVISIONS	DATE	REVISIONS
	R.J.R.					