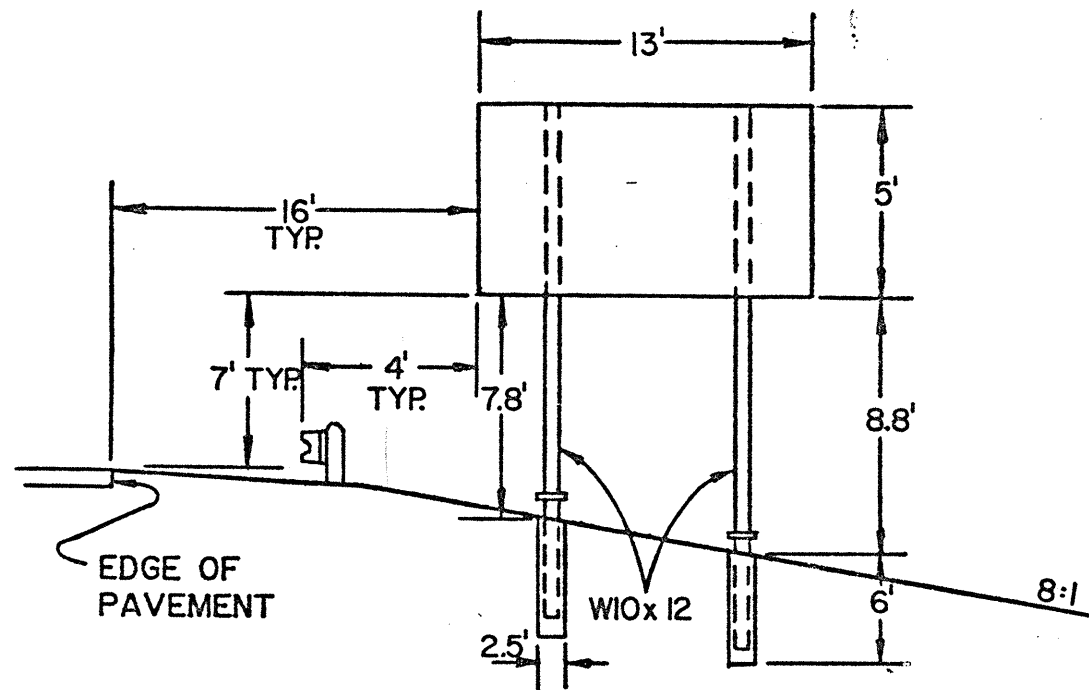


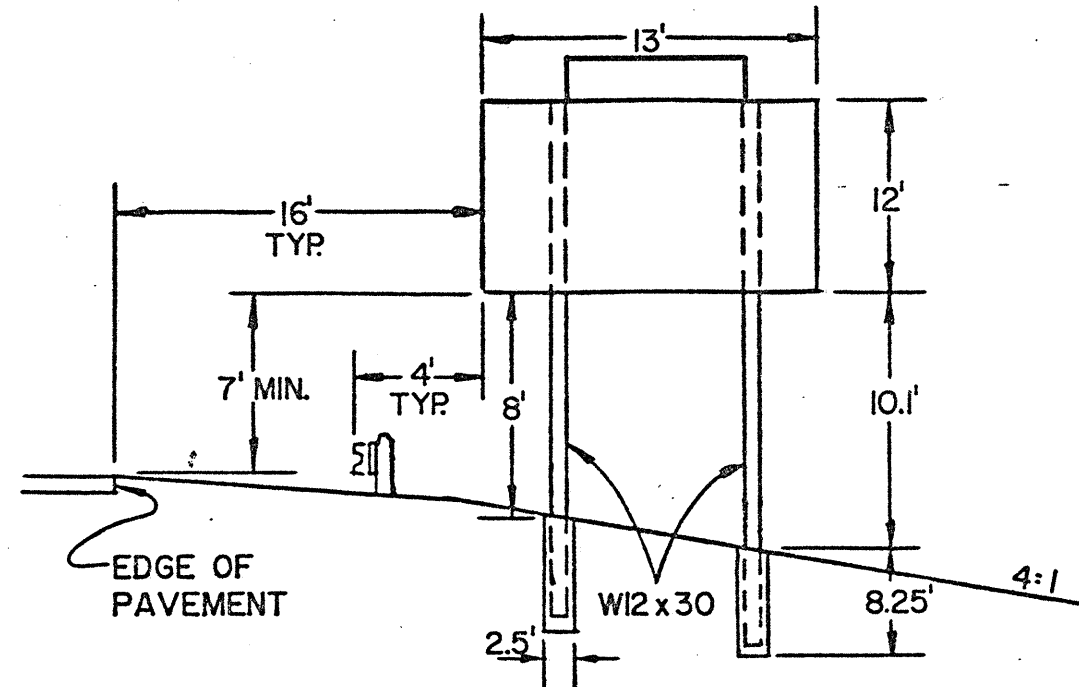
SIGN ELEVATION VIEW

LAKE COUNTY
LAK-90-21.51

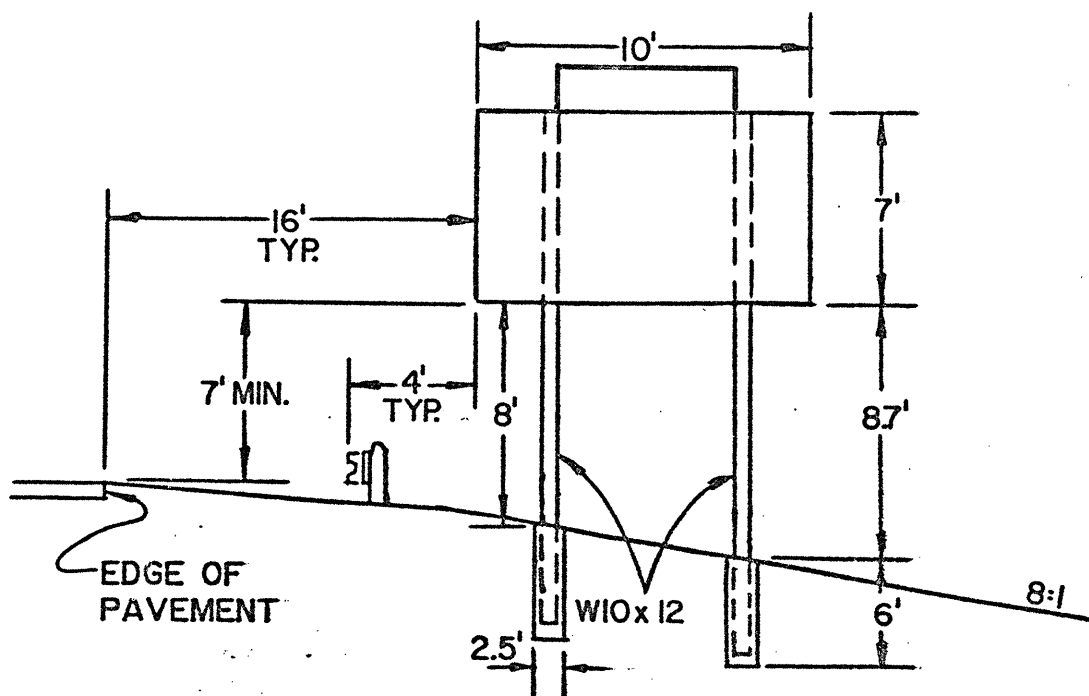
78
81



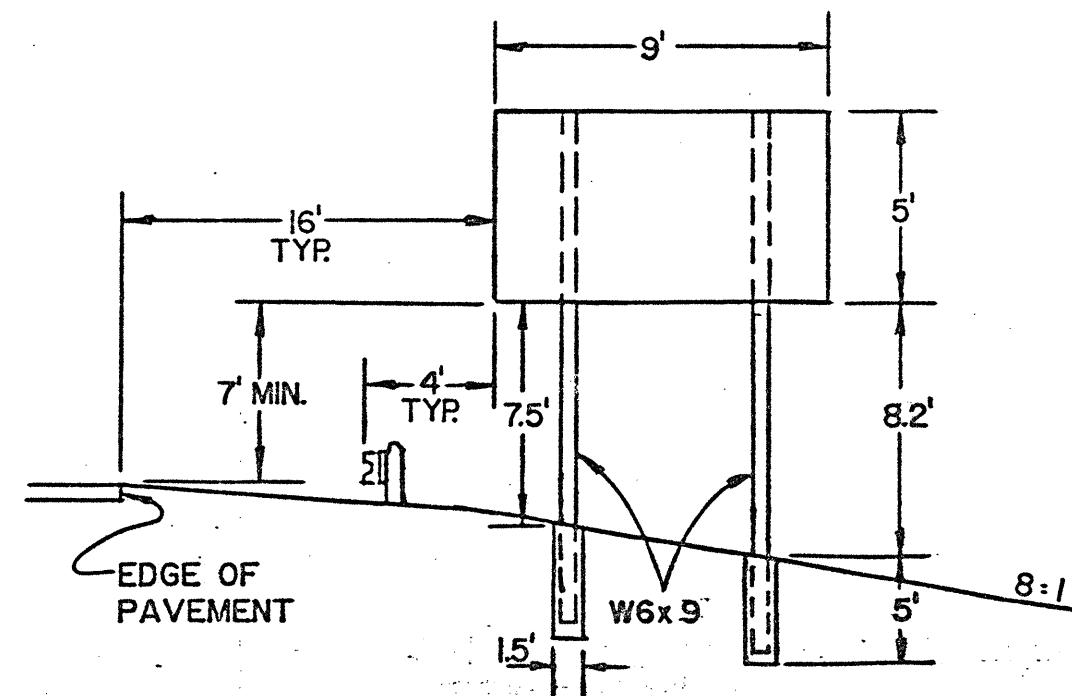
SIGN NO. 79
STA. 41+89
I-90 E.B.



SIGN NO. 86
STA. 54+04
I-90 W.B.



SIGN NO. 80
STA. 43+57
I-90 W.B.



SIGN NO. 98
STA. 118+49
I-90 W.B.

NOT TO SCALE