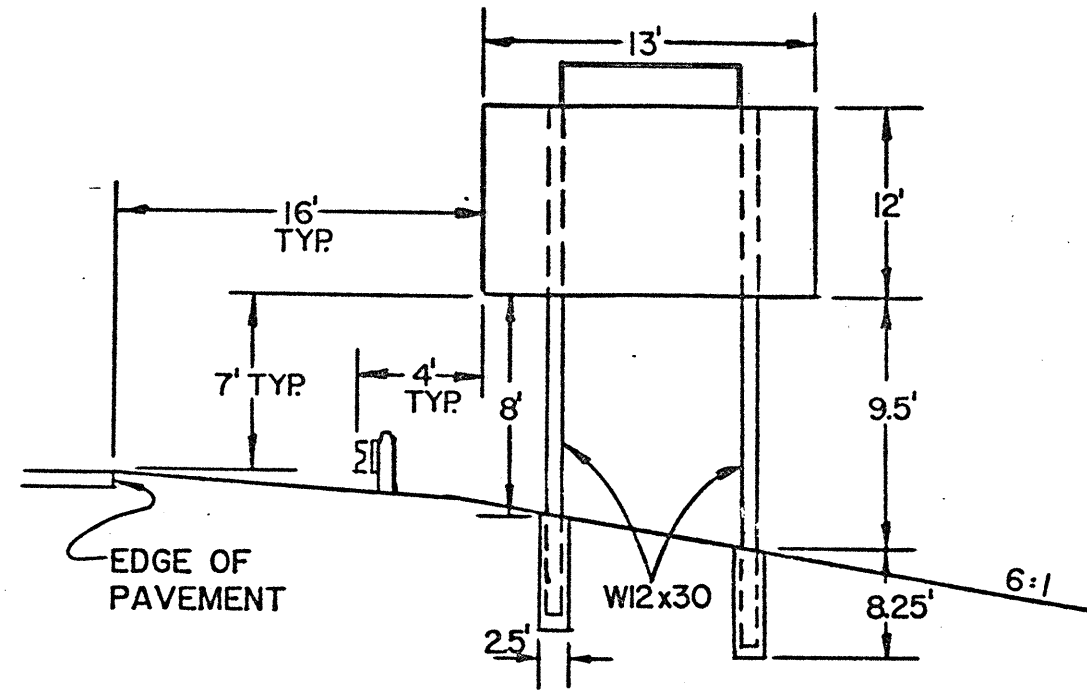


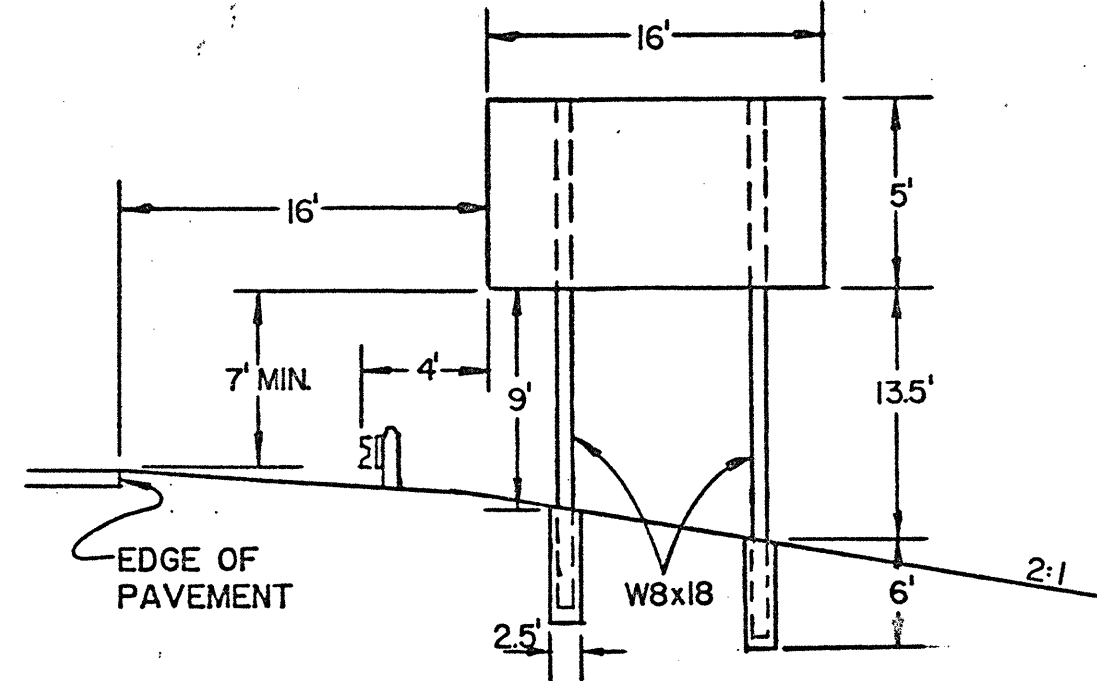
SIGN ELEVATION VIEW

LAKE COUNTY
LAK-90-21.51

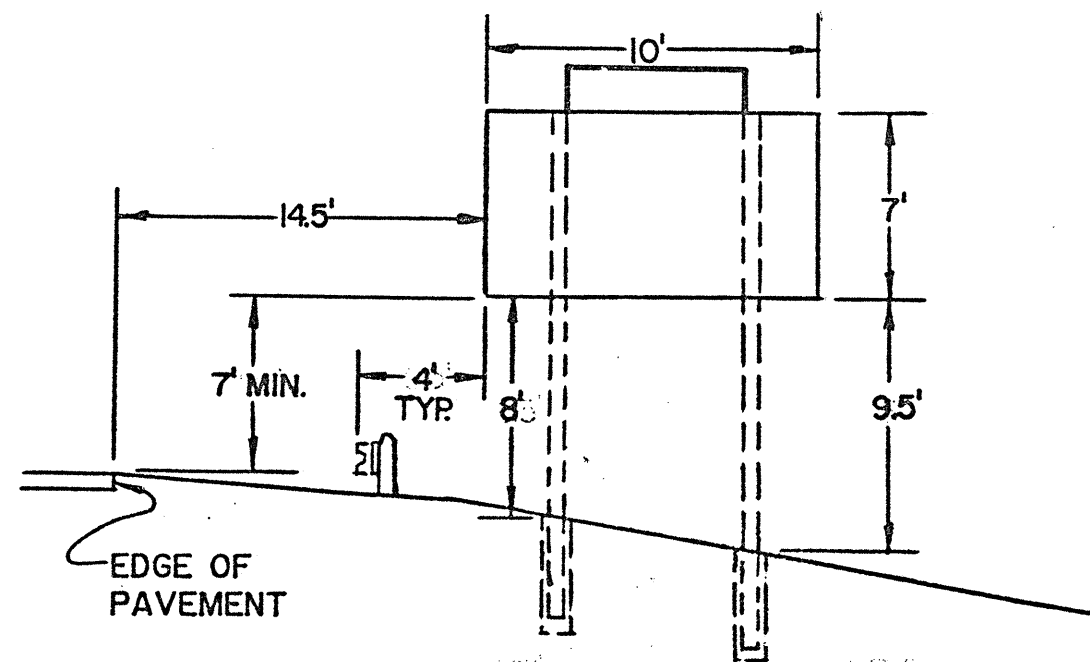
76
81



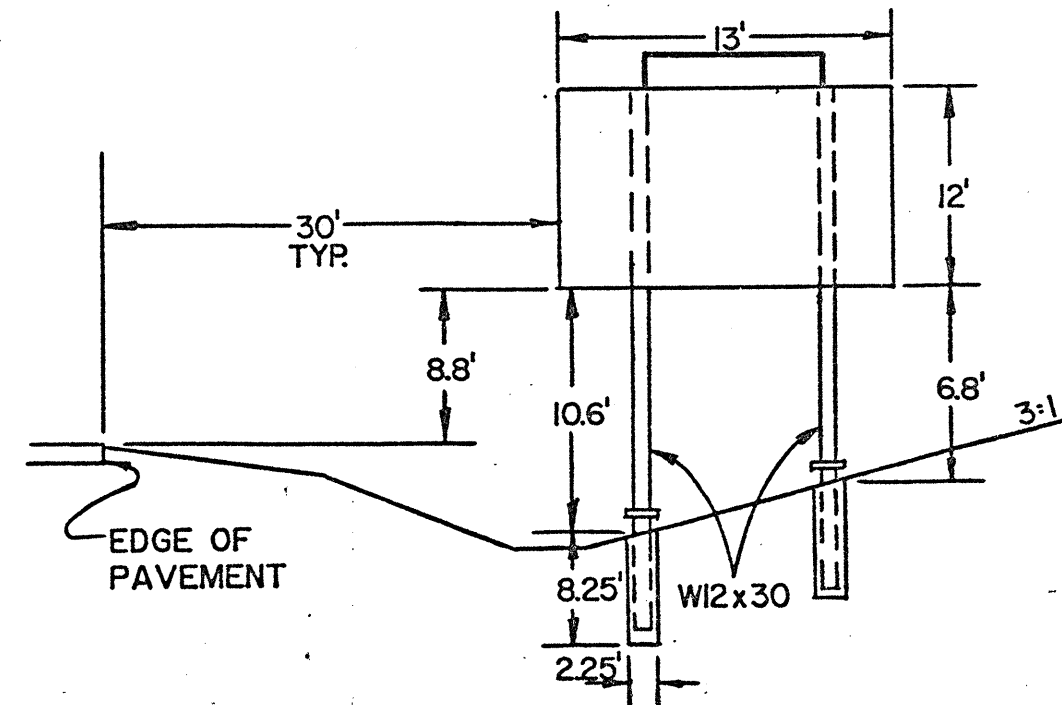
SIGN NO. 45
STA. 987+83
I-90 E.B.



SIGN NO. 52
STA. 997+35
I-90 W.B.



SIGN NO. 47
STA. 994+80
I-90 E.B.



SIGN NO. 53A
STA. 1014+00
I-90 E.B.

NOT TO SCALE

SIGN ELEVATION VIEW