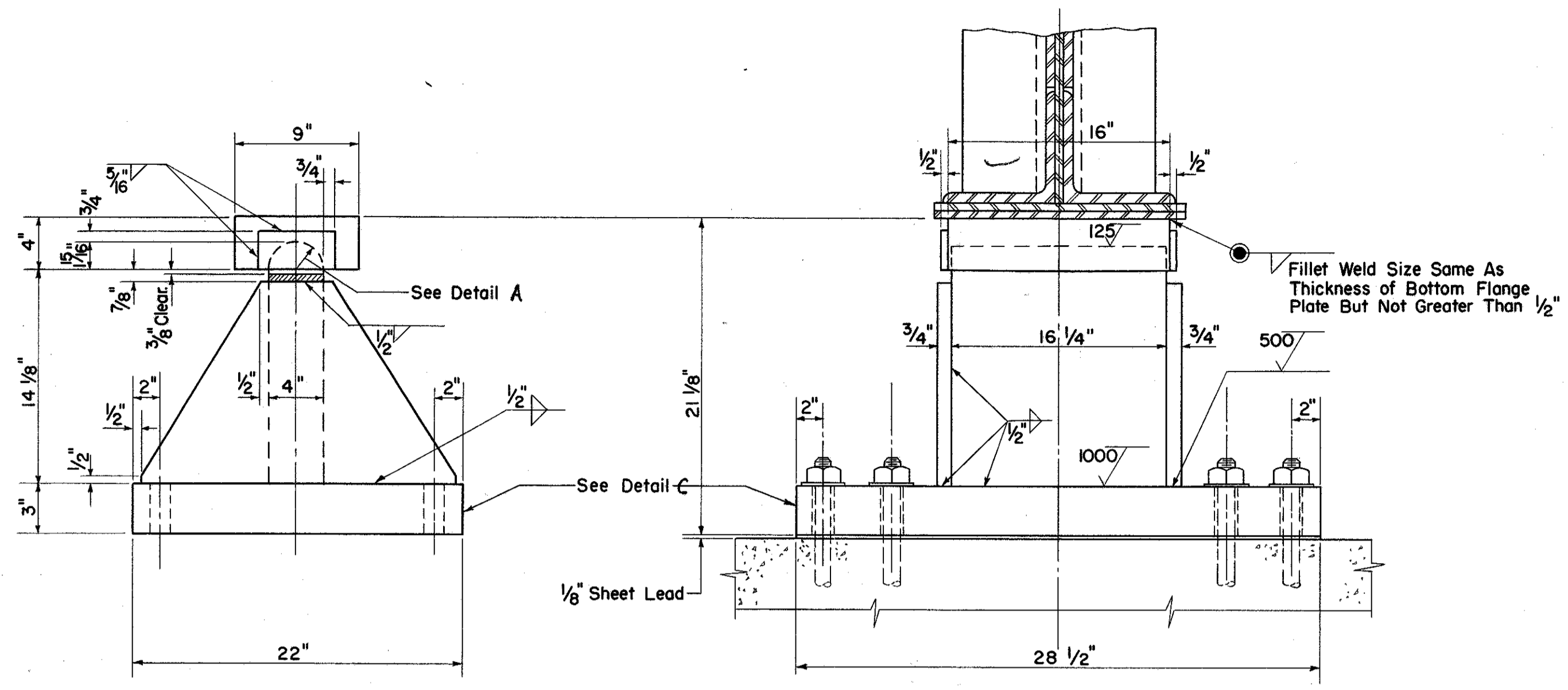
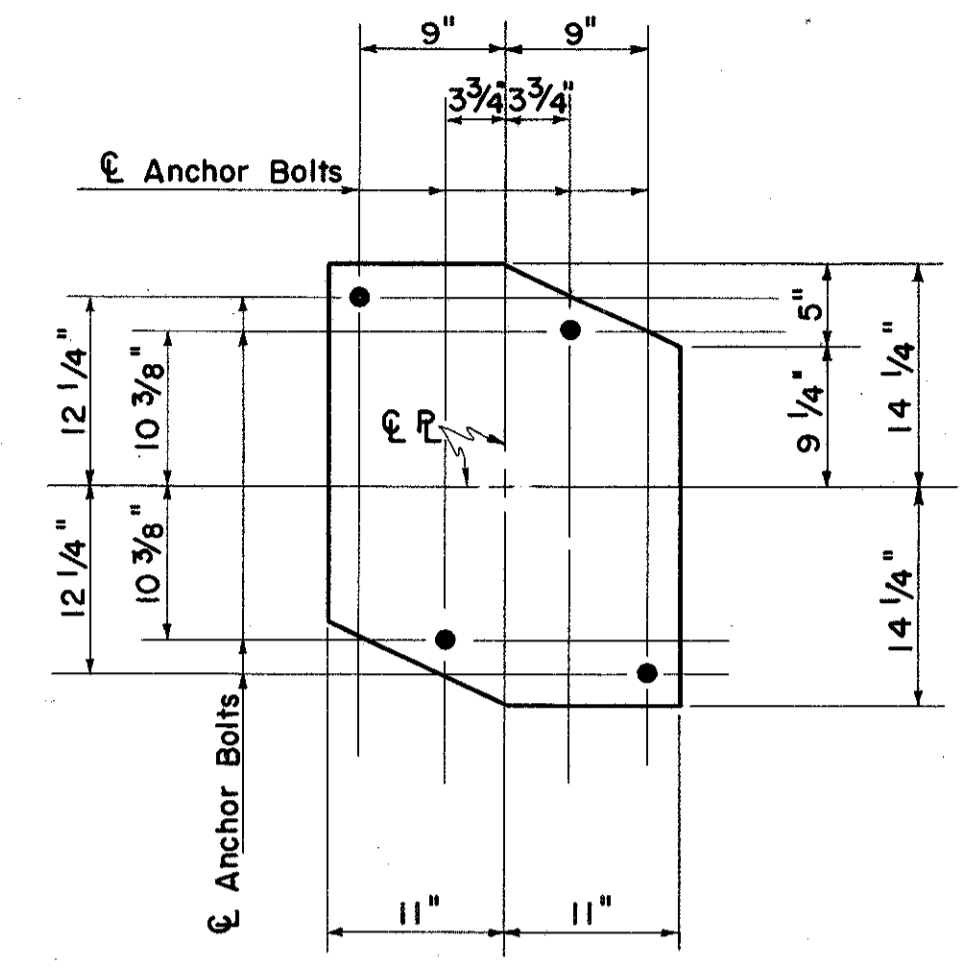


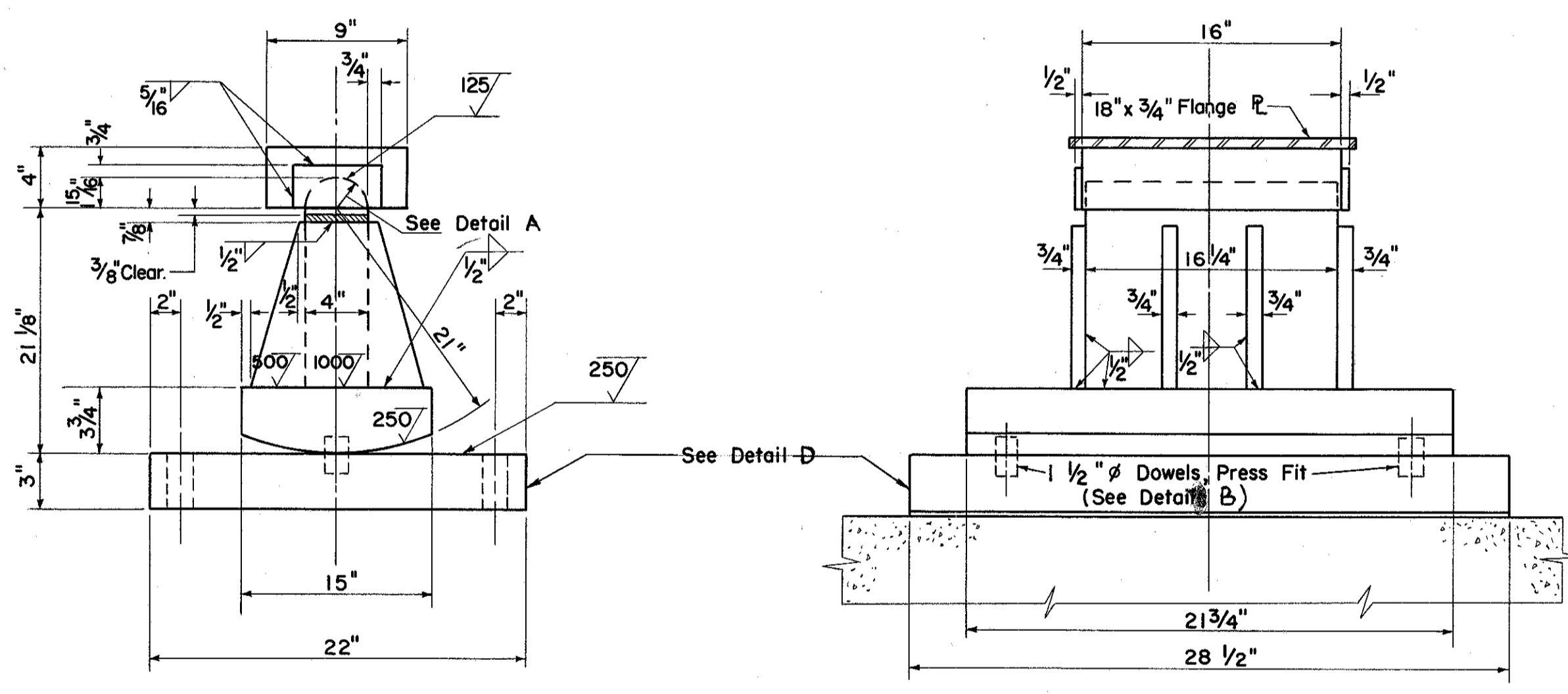
LAKE COUNTY  
SEC. LAK -1-20.23



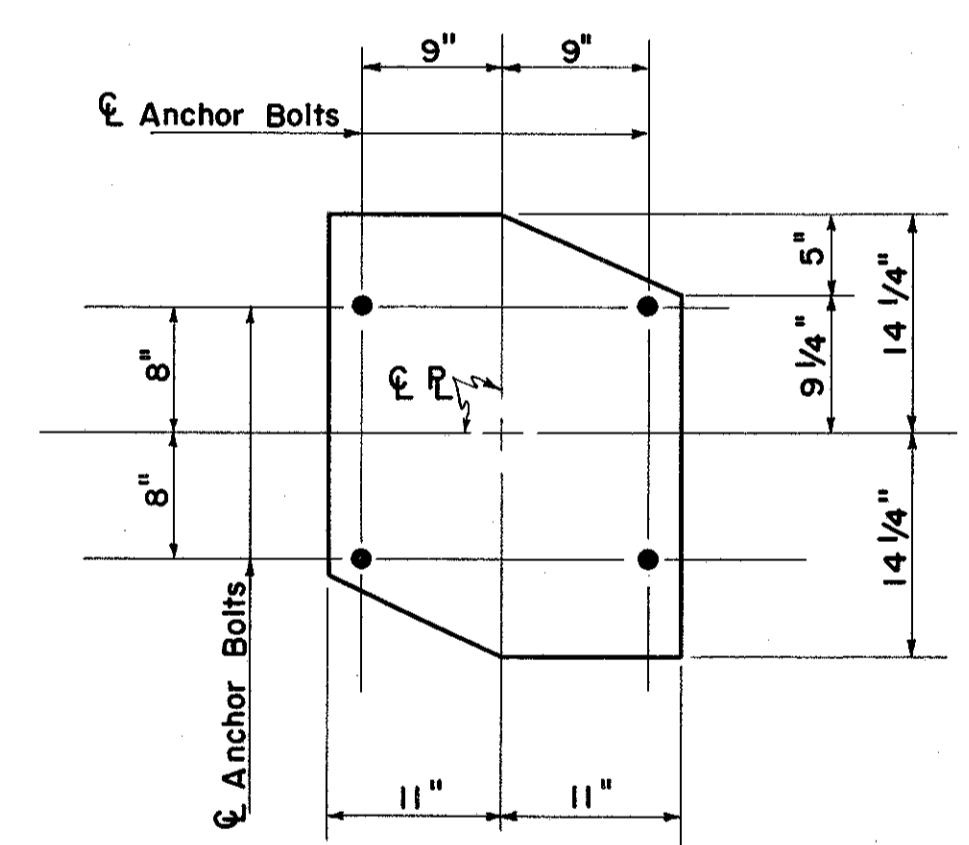
**B - 450 STRUCTURAL STEEL BOLSTER ON CENTER PIER**



**DETAIL 'C'**  
**BOLSTER BASE PLATE**  
BOTTOM VIEW  
(LOOKING UP)



**R - 450 STRUCTURAL STEEL ROCKER ON PIERS**



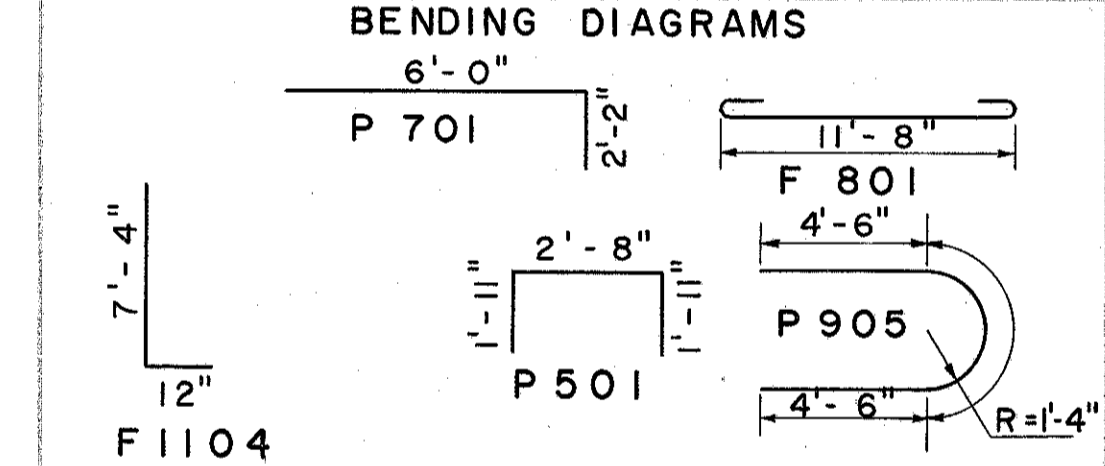
**DETAIL 'D'**  
**ROCKER BASE PLATE**  
BOTTOM VIEW (LOOKING UP)

**REINFORCING STEEL LIST FOR PIERS**

MARK	R.P.	C.P.	F.P.	TOTAL	LENGTH	WEIGHT	TYPE
F 601	69	69	69	207	11'-8"	3,628	Str.
F 801	69	60	69	198	13'-10"	7,313	Bent
F 1101	28	33	28	89	40'-0"	18,914	Str.
F 1102	28	34	28	90	17'-7"	8,408	Str.
F 1103	26	26	26	78	35'-10"	14,850	Str.
F 1104	84	84	84	252	7'-10"	10,488	Bent
P 501	48	48	48	144	6'-3"	931	Bent
P 502	4	4	4	12	20'-7"	258	Str.
P 701	28	28	28	84	8'-0"	1,374	Bent
P 901	14	14	14	42	20'-9"	2,963	Str.
P 902	4	4	4	12	20'-7"	840	Str.
P 903	4	4	4	12	23'-3"	949	Str.
P 904	8	8	8	24	7'-0"	571	Str.
P 905	8	8	8	24	13'-2"	1,075	Bent
P 1101	-	84	-	84	18'-0"	8,033	Str.
P 1102	84	-	-	84	15'-6"	6,918	Str.
P 1103	-	-	84	84	14'-3"	6,360	Str.
					Total	93,881	

R.P. denotes Right Pier  
C.P. denotes Center Pier  
F.P. denotes Forward Pier

BAR SIZE is indicated in the bar mark. The first digit where three are used, and the first two digits where four are used, indicate the bar size number. For example, A700 is a No. 7 size bar and A1014 is a No. 10 size.



**SPIRAL REINFORCING STEEL**

LOC.	MARK	NO.	CORE DIA.	LENGTH	PITCH	NO. OF TURNS	WEIGHT
R.P.	SP 401	6	3 2"	13'-4 1/2"	4 1/2"	38	1,496
C.P.	SP 402	6	3 2"	15'-9 3/8"	4 1/2"	45	1,770
F.P.	SP 403	6	3 2"	12'-0 3/8"	4 1/2"	35	1,373

**SPIRAL NOTES**

The length shown in the bar list for the spiral bars is the distance from the top of the footing to the bottom of the caps.

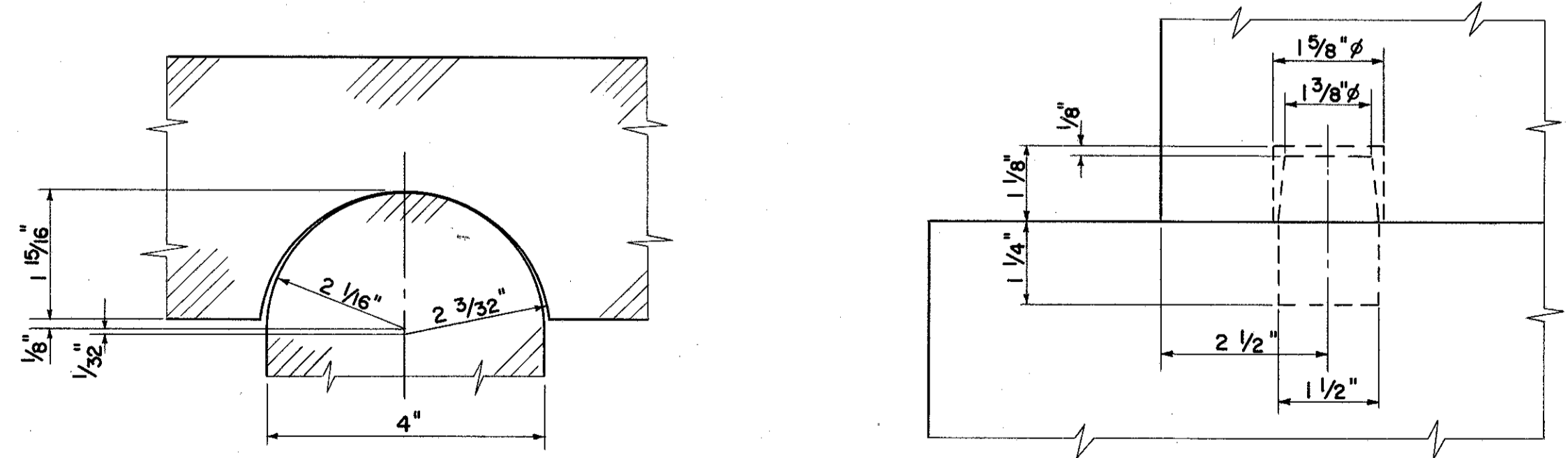
The number of turns shown is the length divided by the pitch, plus 3 turns (total number of closed coils) expressed as the nearest whole number.

Spiral bars shall not have deformations but shall in other respects conform to Item S-4.

1/2 closed coils shall be provided at the ends of each spiral unit.

Four steel channel, tee or angle spacers, weighing approximately 0.68 lbs. per lin. ft., shall be provided for each spiral unit. They shall be equally spaced along the periphery of the coil. The number of pounds of spacers, based on 0.68 lbs. per lin. ft., will be paid for as reinforcing steel and is included in the tabulated quantity of spiral bars.

**NOTE:**  
Reference shall be made to Standard Drawing RB-1-55, dated 3-1-55 for details of rockers to be used on the abutments.



**TOP BEARING DETAIL - A**

**DOWEL DETAIL - B**

*Note: DETAIL "C" and DETAIL "D" are bottom views as seen from the bottom side looking up which should be noted in finishing and welding.*

PREPARED BY  
CAPITOL ENGINEERING ASSOCIATES, DILLSBURG, PA.  
FOR

STATE OF OHIO  
DEPARTMENT OF HIGHWAYS

SHOES  
BRIDGE NO. LAK-1-2111  
S.R.1 UNDER FORD ROAD  
LAKE COUNTY

STA. 759 + 69.37

DESIGNED	DRAWN	TRACED	CHECKED	REVISED	DATE
J.V.	J.V.				7-14-58