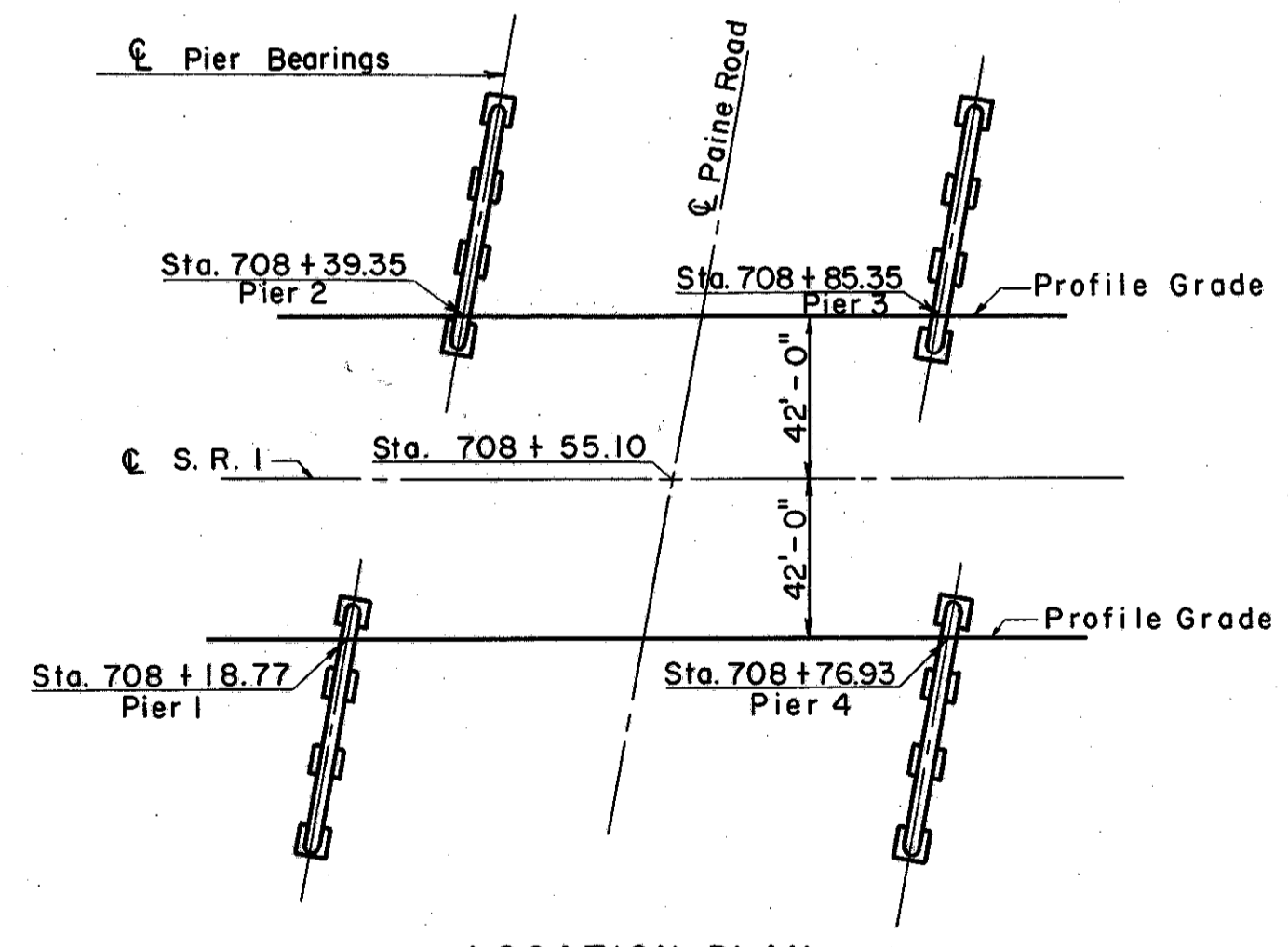
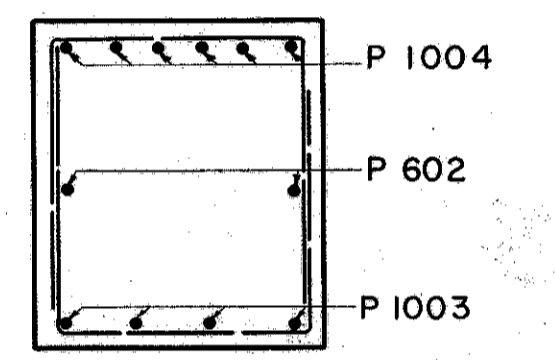
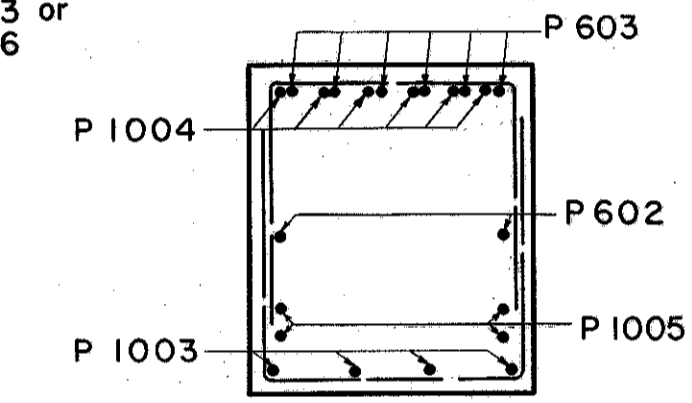
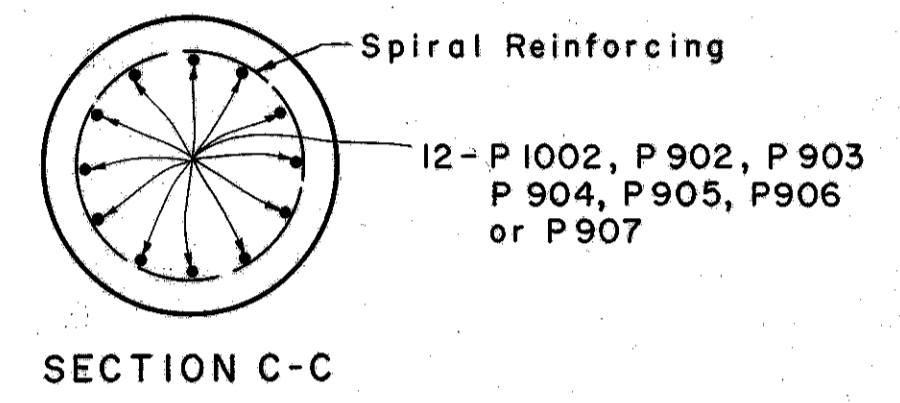
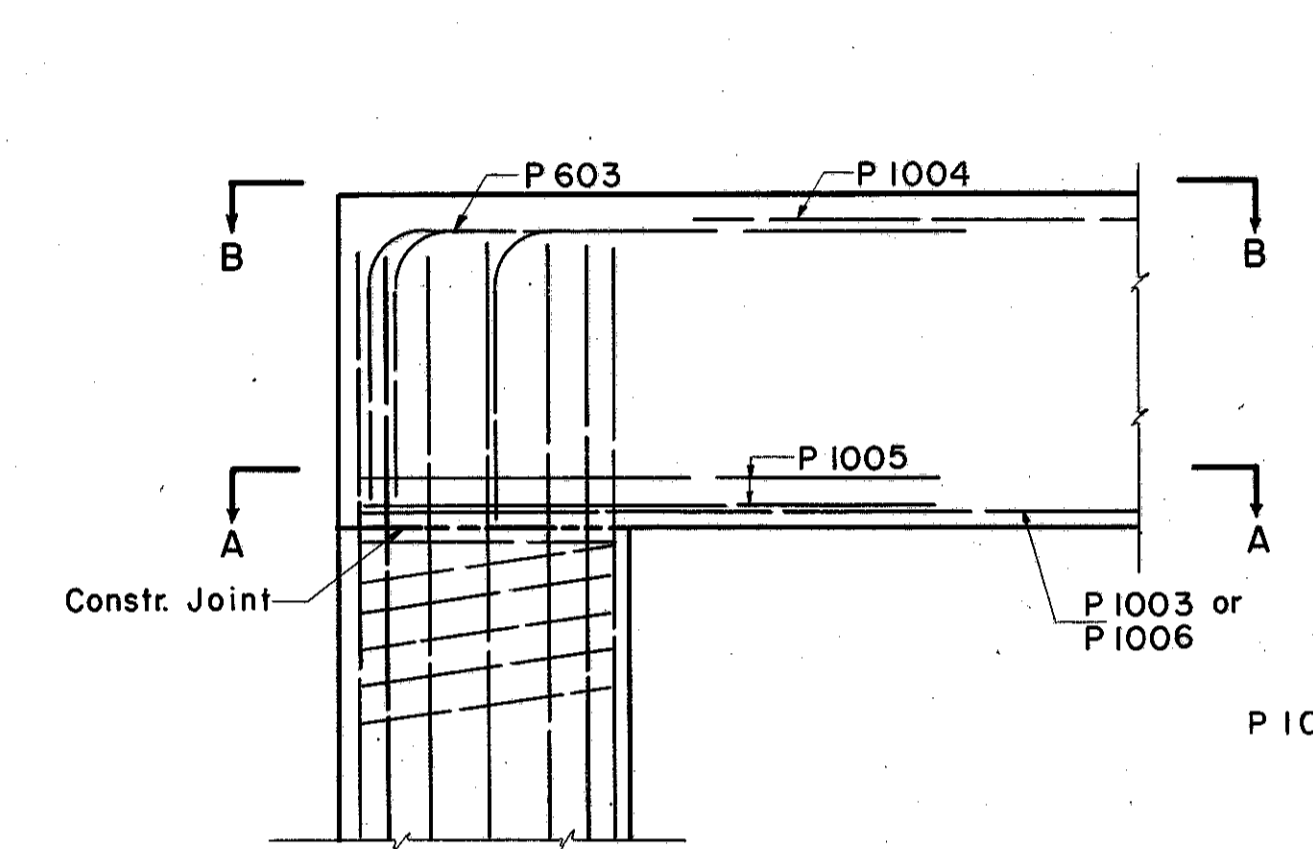
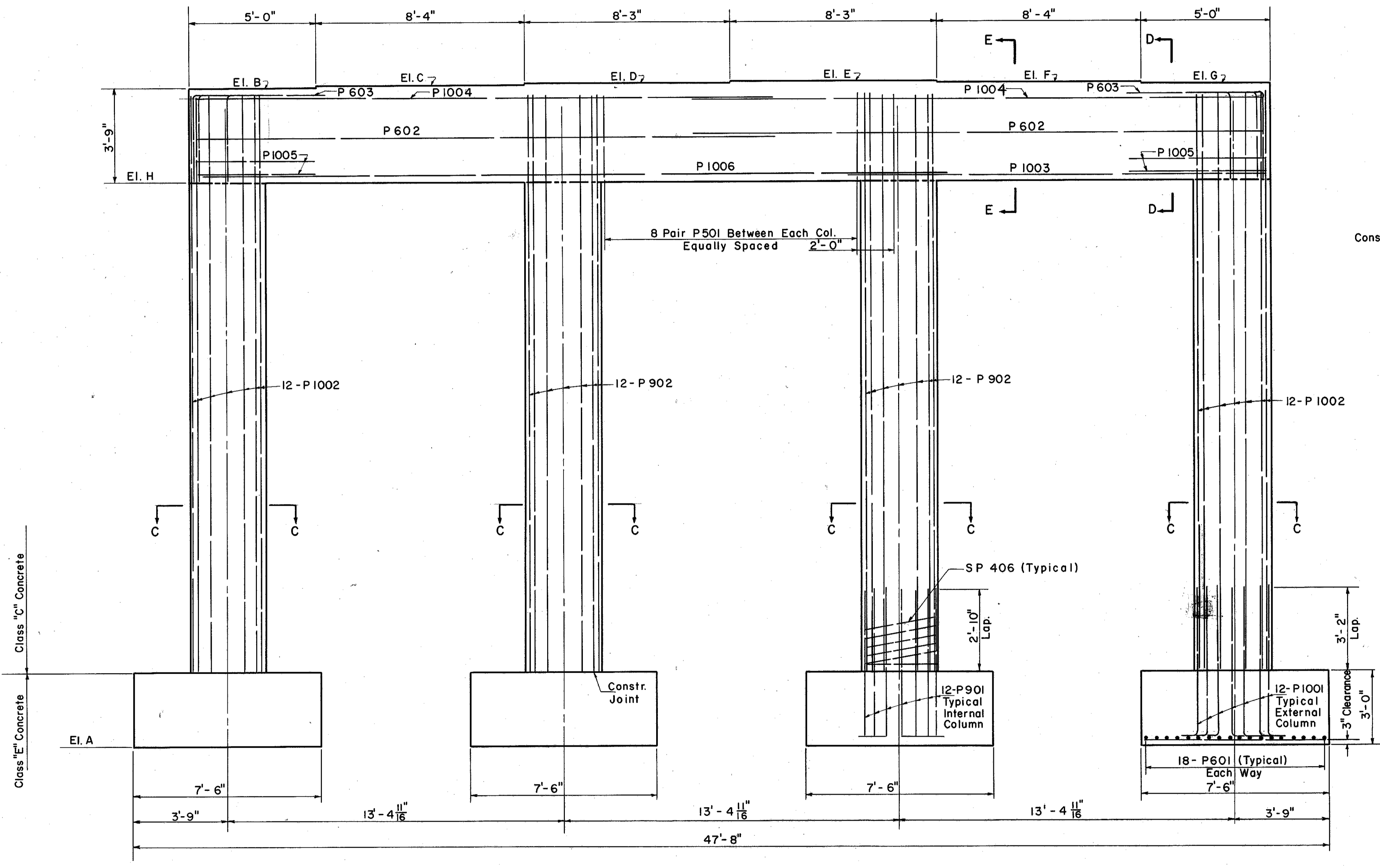
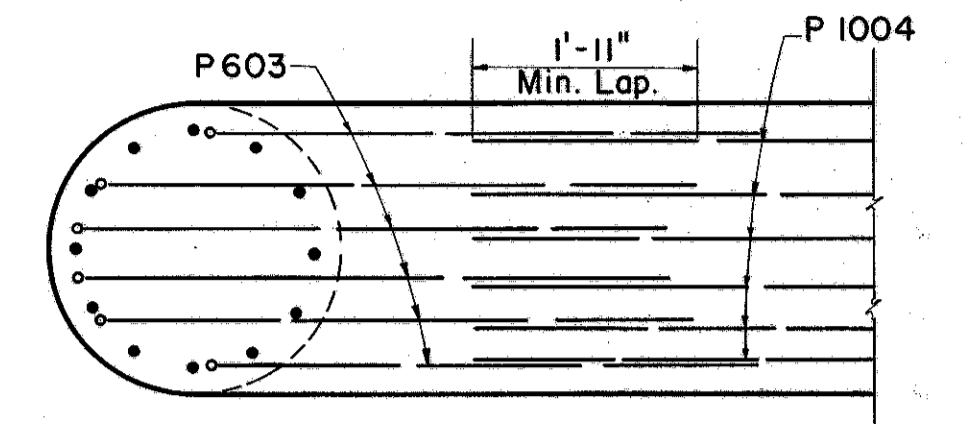
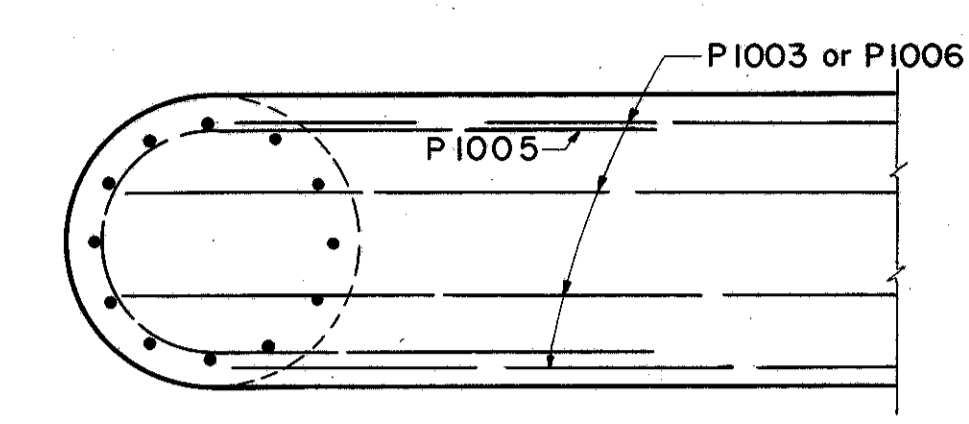
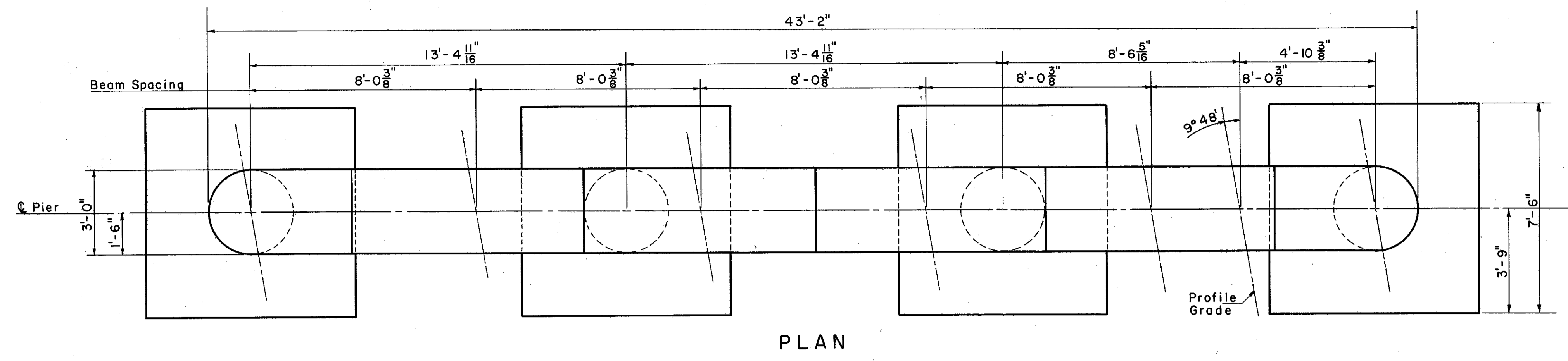


LAKE COUNTY
SEC. LAK-1-20.03



FOR ADDITION DETAILS & NOTES SEE SHEET NO. 191

STATE OF OHIO DEPARTMENT OF HIGHWAYS DIVISION OF DESIGN AND CONSTRUCTION BUREAU OF BRIDGES						
PIERS BRIDGE NO. LAK-1-2012 S.R.I. OVER PAINE ROAD LAKE COUNTY STA. 708+55.10						
DESIGNED	DRAWN	TRACED	CHECKED	REVISED DATE	REVISED	
T.E.B.	T.E.B.	J.W.S. 5-14-58	H.B.			