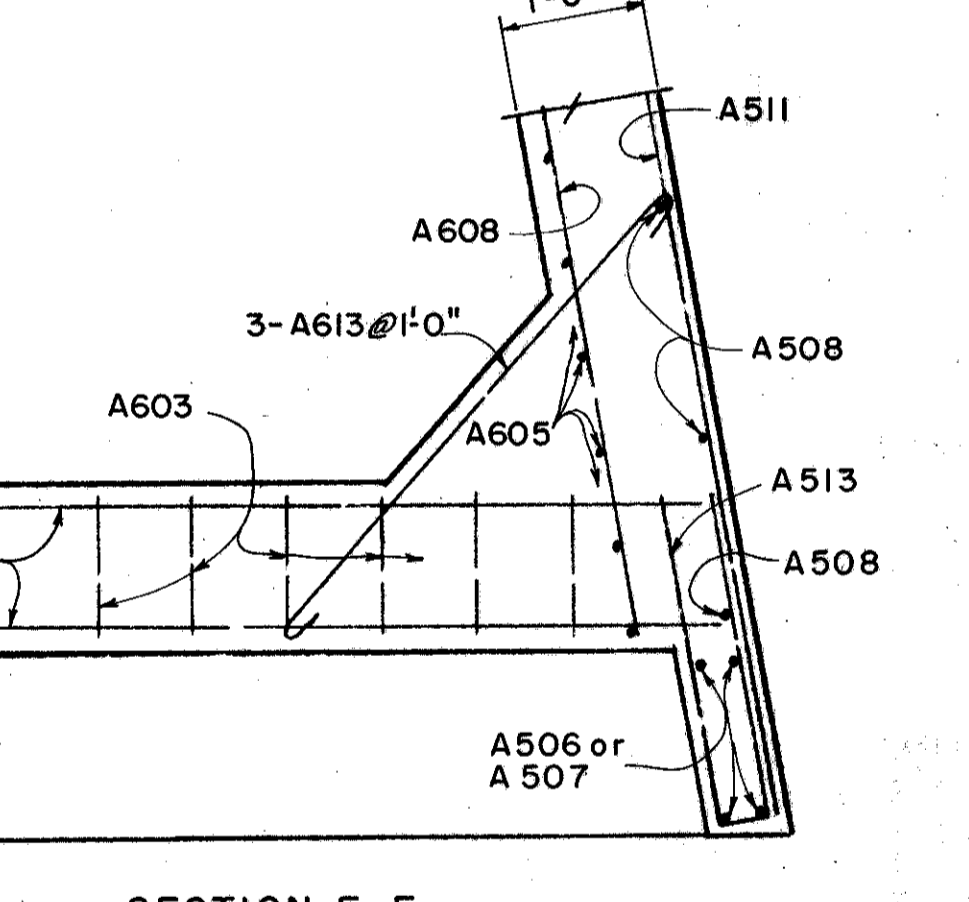
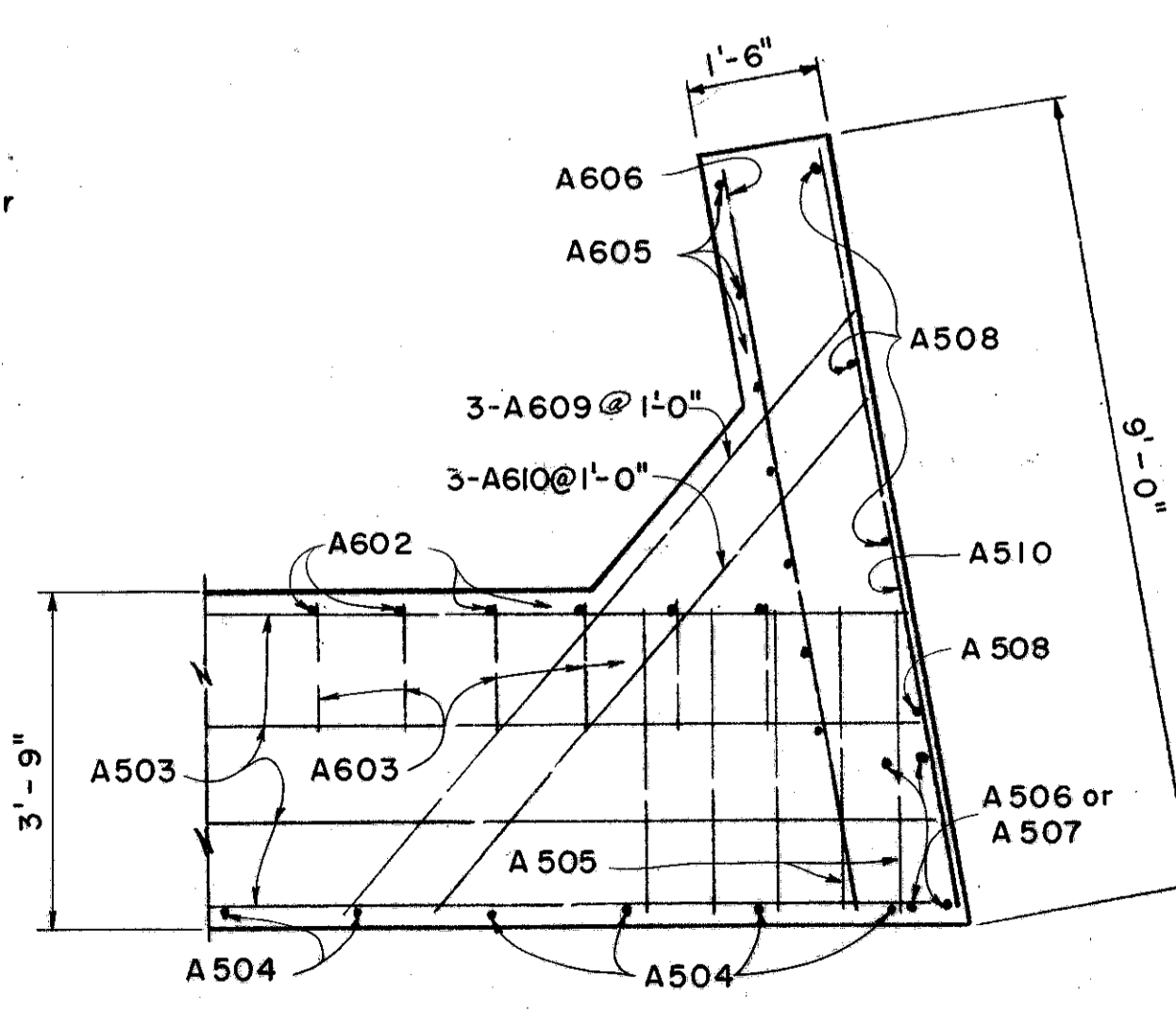
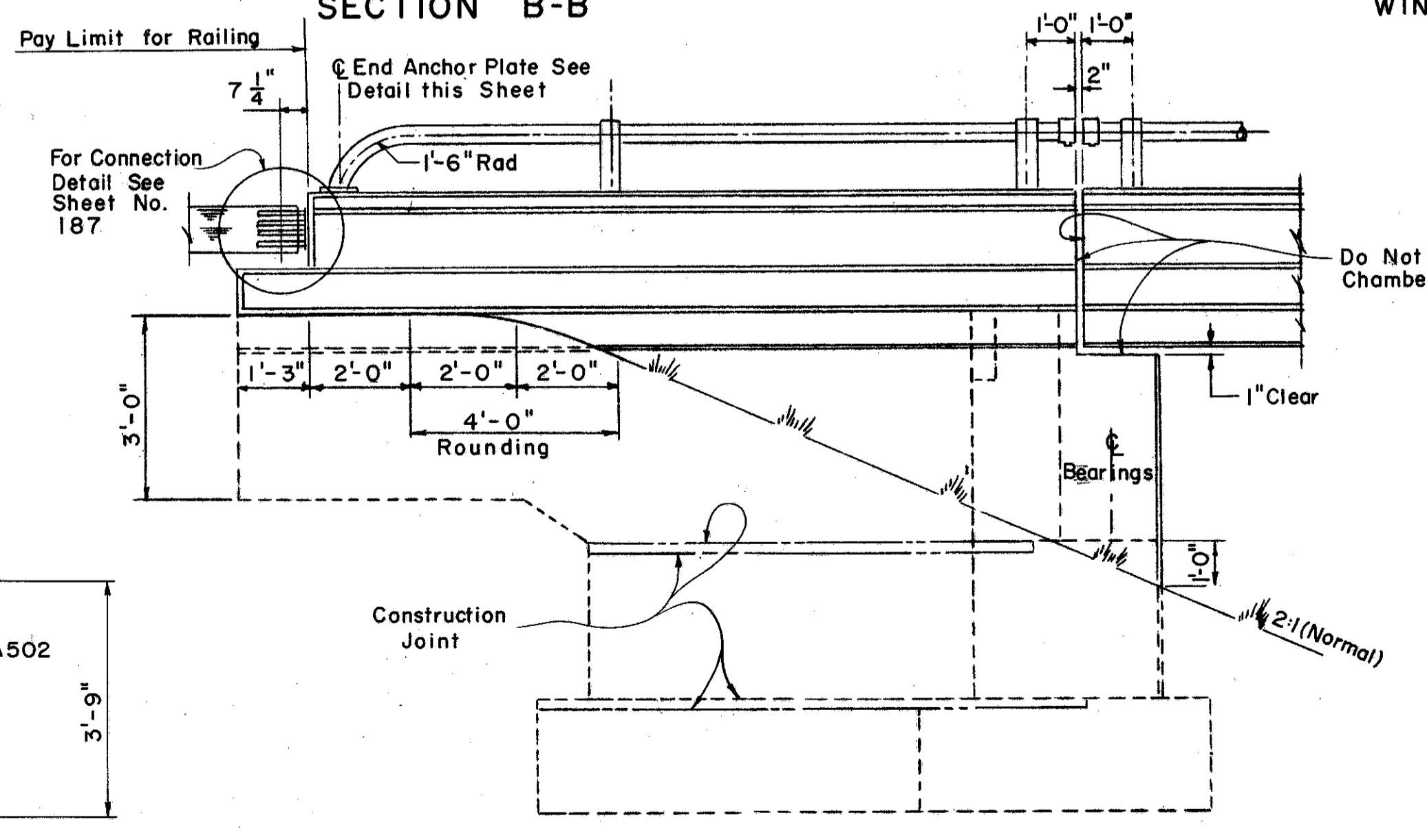
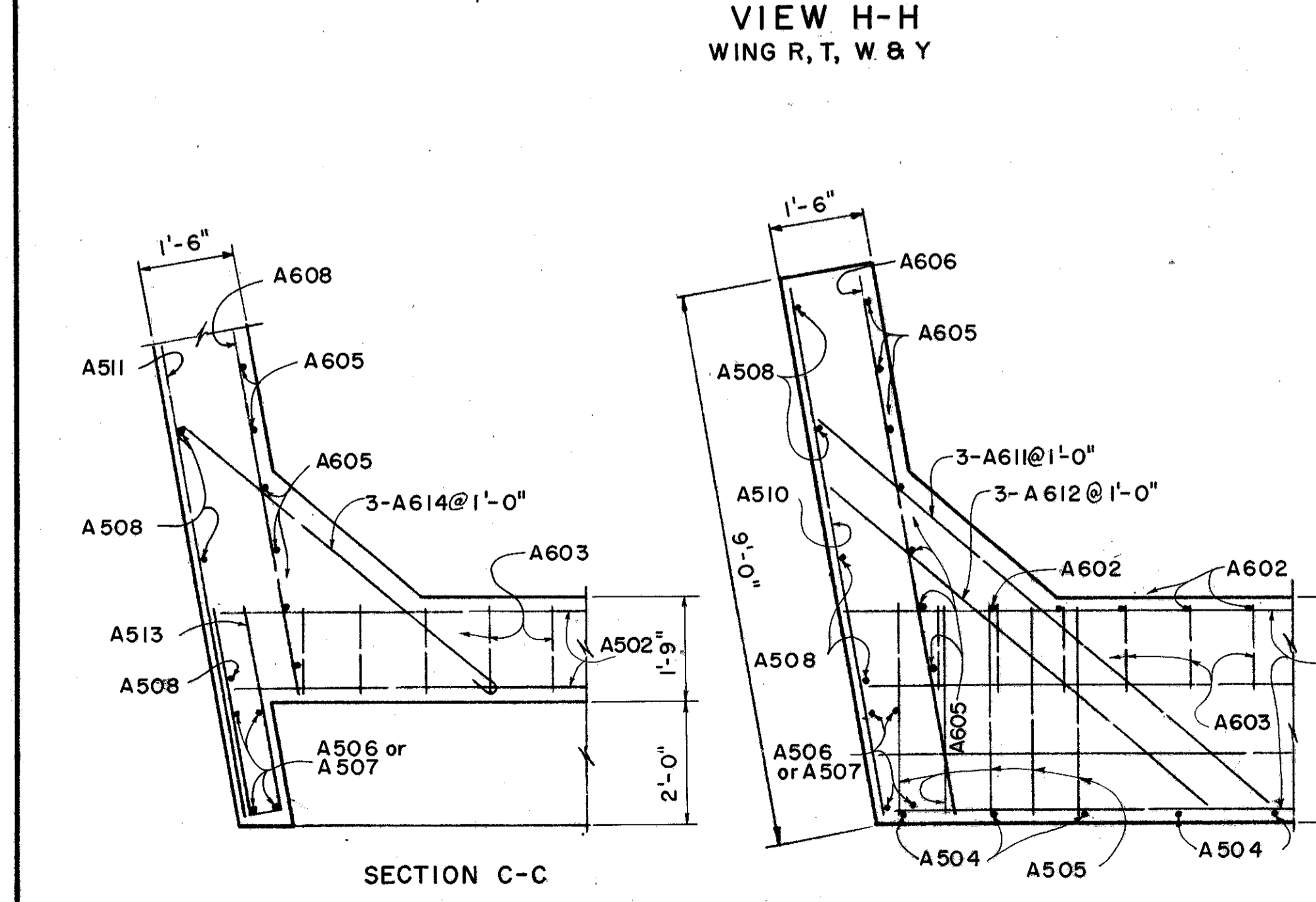
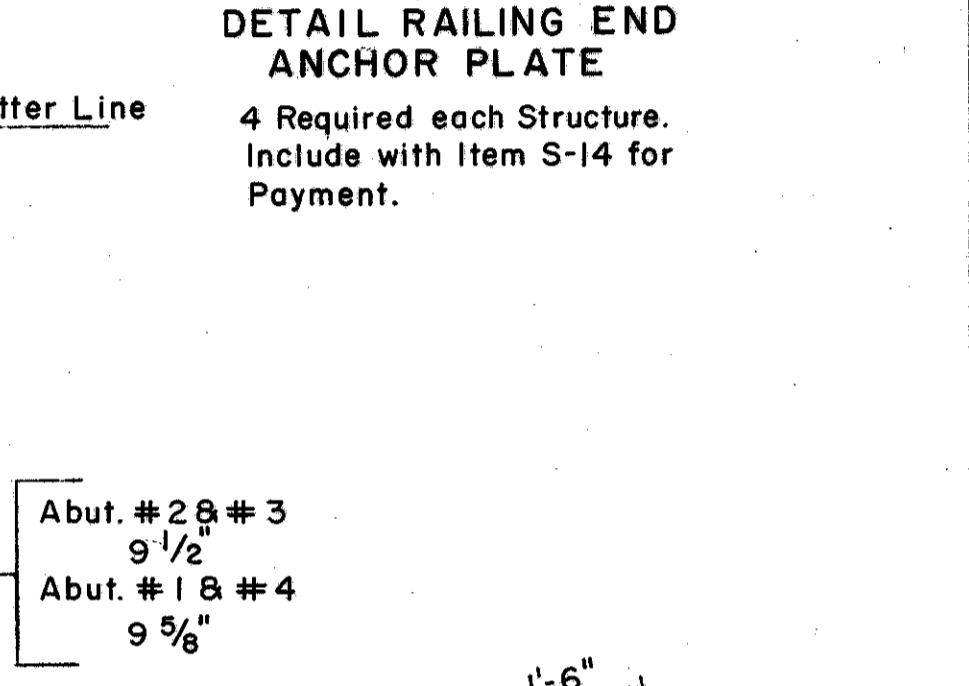
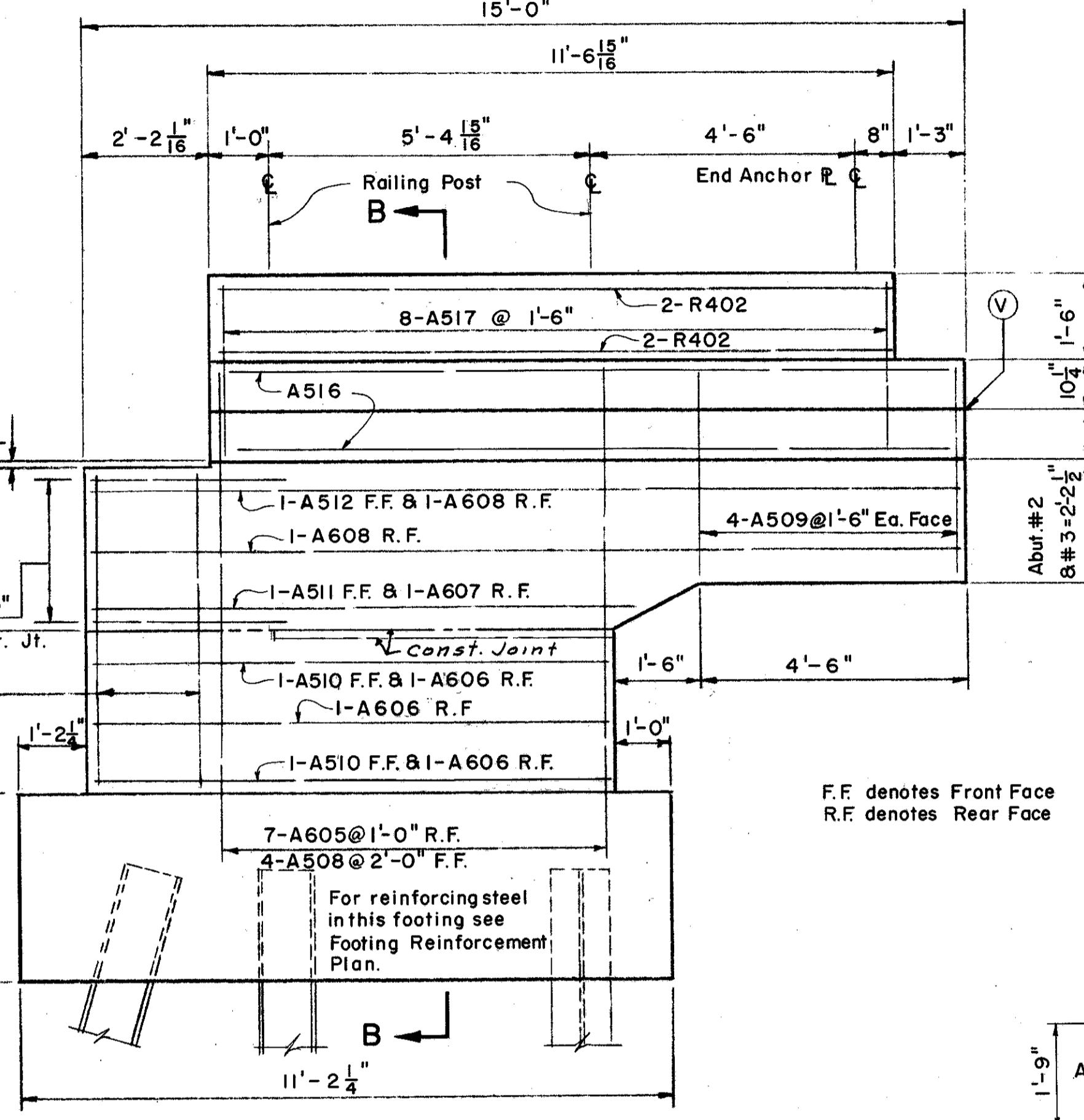
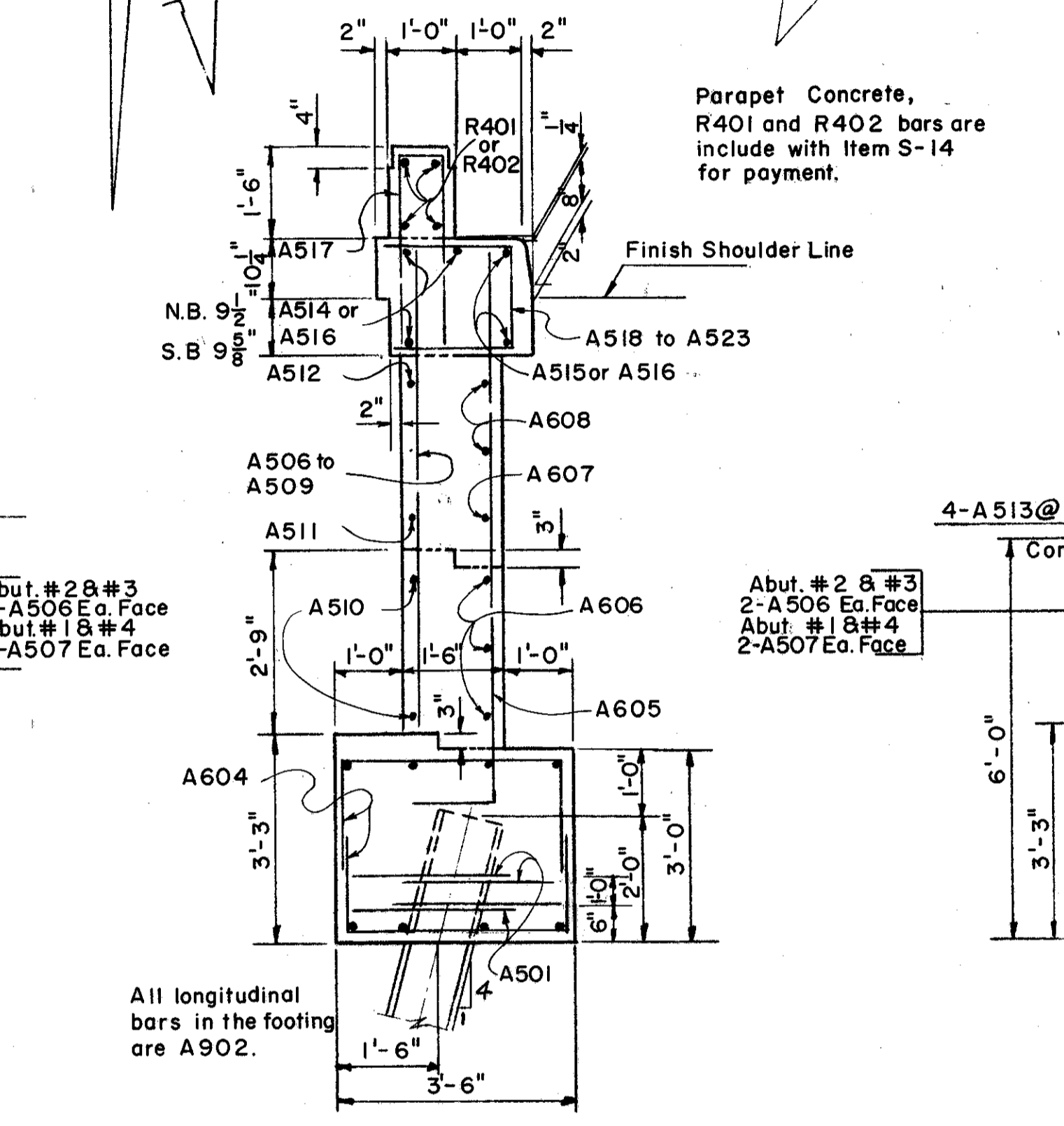
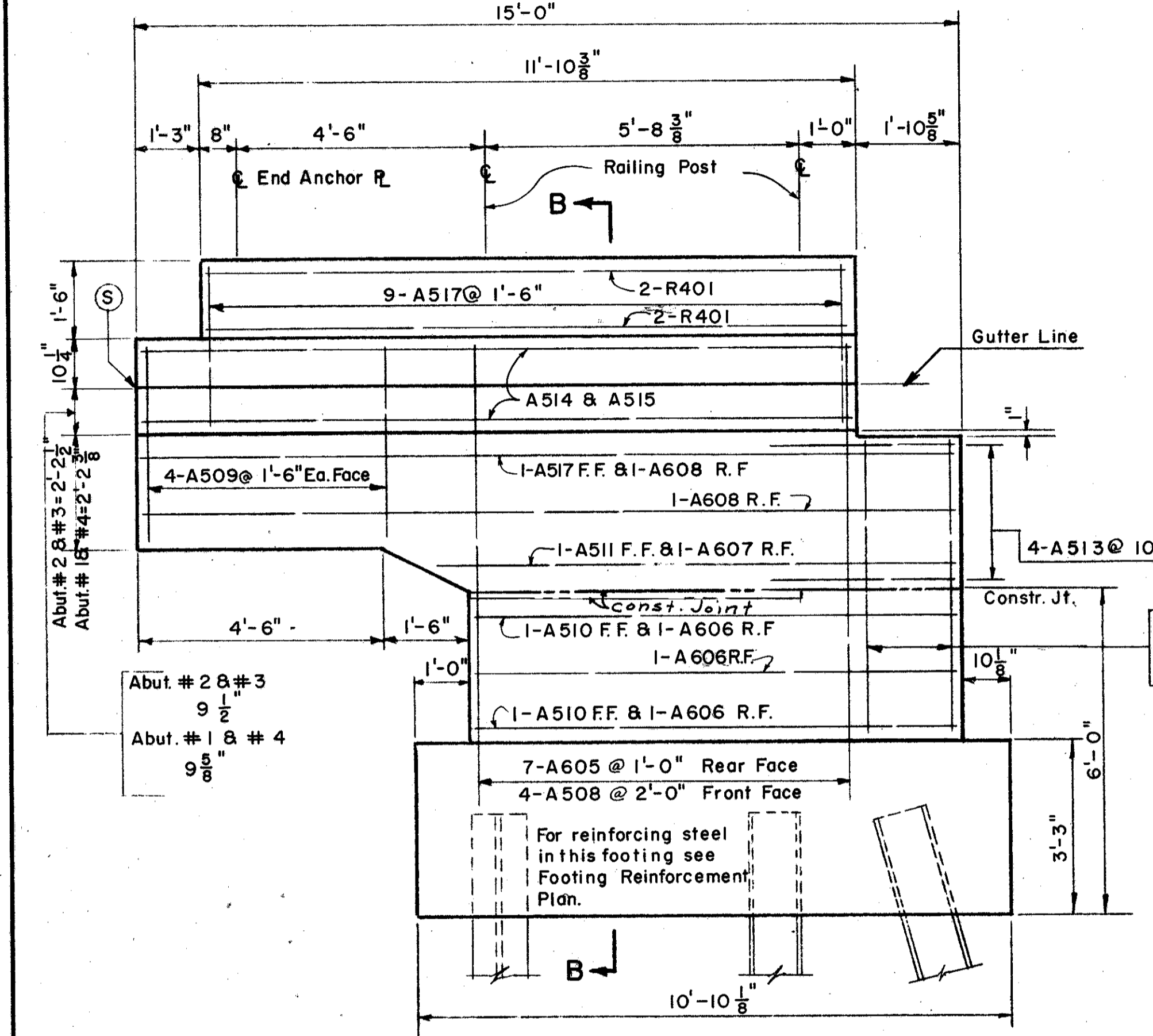
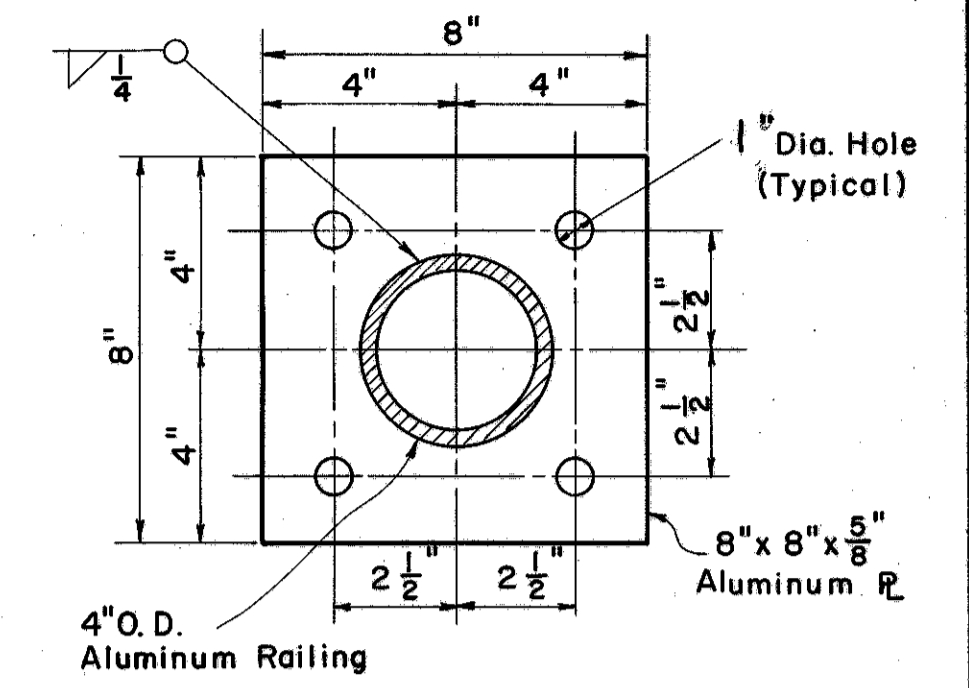
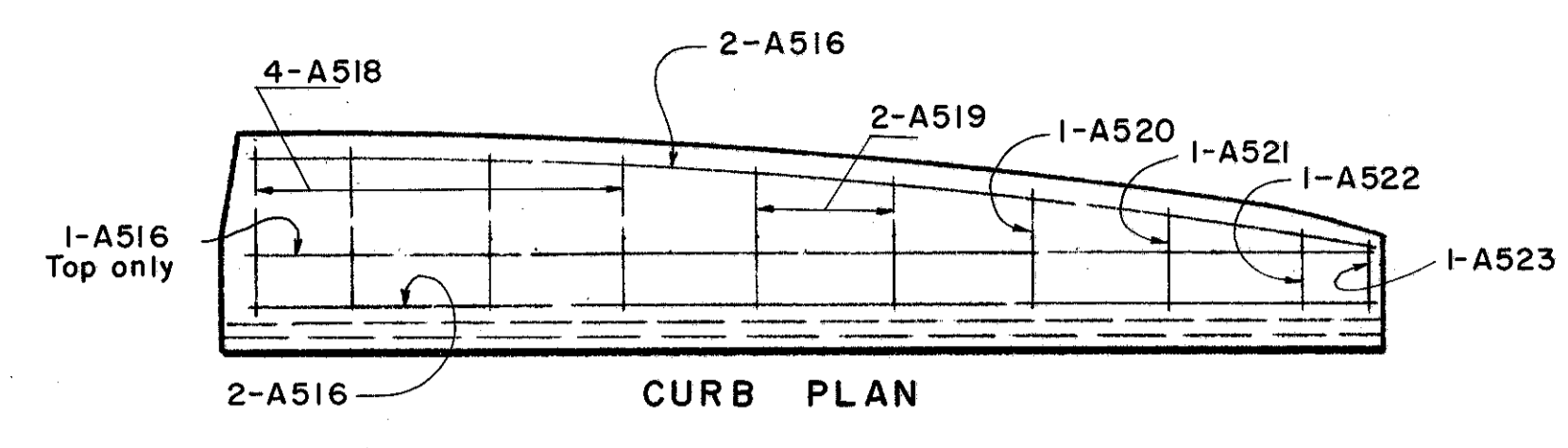
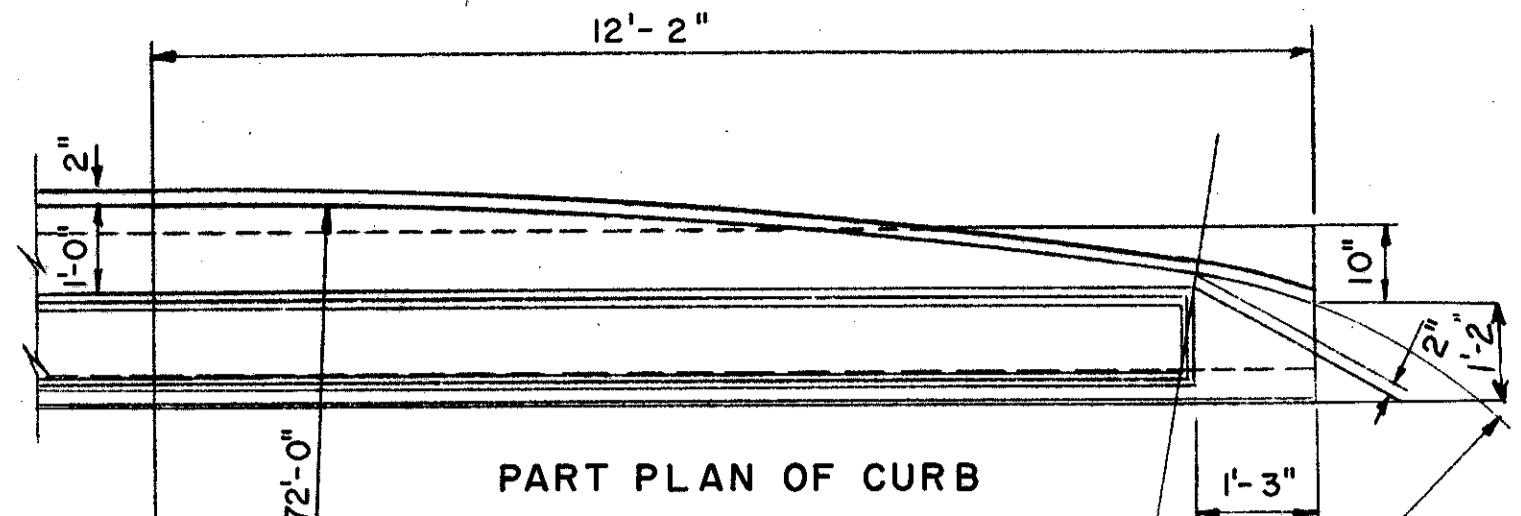
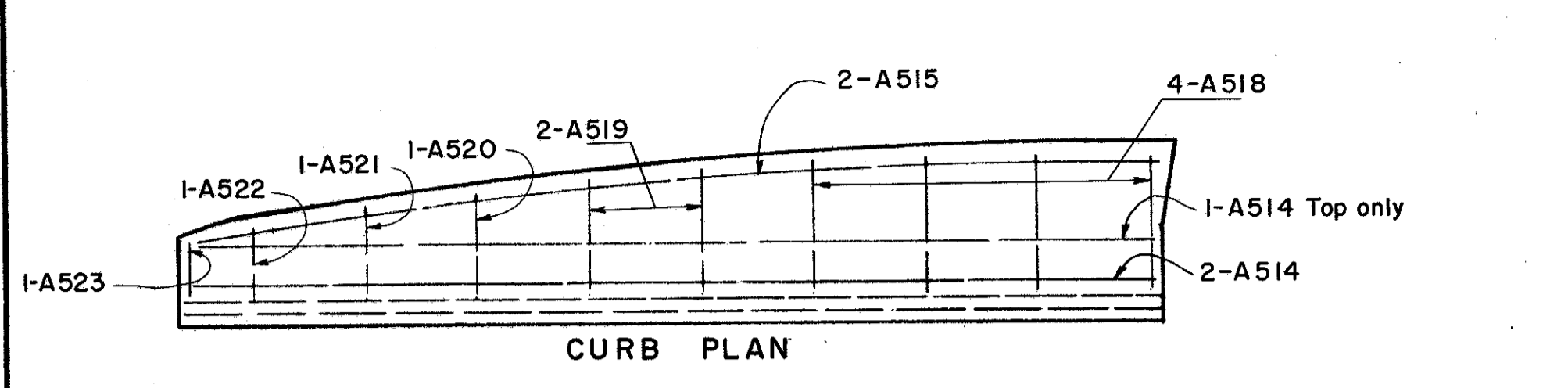


LAKE COUNTY  
SEC. LAK-1-20.03



VIEW H-H  
WING R, T, W & Y

SECTION B-B

VIEW K-K  
WING S, U, V, & X

SECTION E-E

SECTION C-C

SECTION D-D

SECTION E-E

SECTION F-F

Parapet Concrete, R401 and R402 bars are include with Item S-14 for payment.

Abut. # 2 & # 3  
2-A506 Ea. Face  
Abut. # 1 & # 4  
2-A507 Ea. Face

Abut. # 2 & # 3  
2-A506 Ea. Face  
Abut. # 1 & # 4  
2-A507 Ea. Face

Abut. # 2 & # 3  
9 1/2  
Abut. # 1 & # 4  
9 5/8

F.F. denotes Front Face  
R.F. denotes Rear Face

For reinforcing steel in this footing see Footing Reinforcement Plan.

For reinforcing steel in this footing see Footing Reinforcement Plan.

All longitudinal bars in the footing are A902.

For Additional Abutment Details See Sheet No. 188

SEC C-34 FED AID PROJ. NO ACI-1103 (28)  
PREPARED BY  
CAPITOL ENGINEERING ASSOCIATES, DILLSBURG, PA.  
FOR  
STATE OF OHIO  
DEPARTMENT OF HIGHWAYS  
ABUTMENT DETAILS  
BRIDGE NO. LAK-1-2012  
S.R.I. OVER PAINE ROAD  
LAKE COUNTY  
STA. 708+55.10

DESIGNED	D.R.T.	DRAWN	D.R.T.	TRACED		CHECKED	G.P.	REVISED		DATE		REVISED	
----------	--------	-------	--------	--------	--	---------	------	---------	--	------	--	---------	--