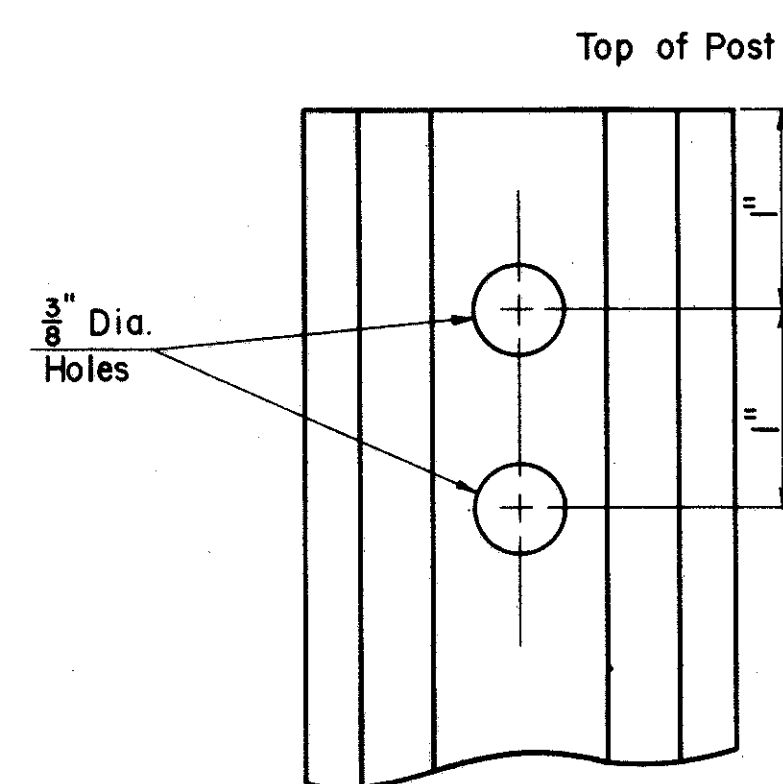


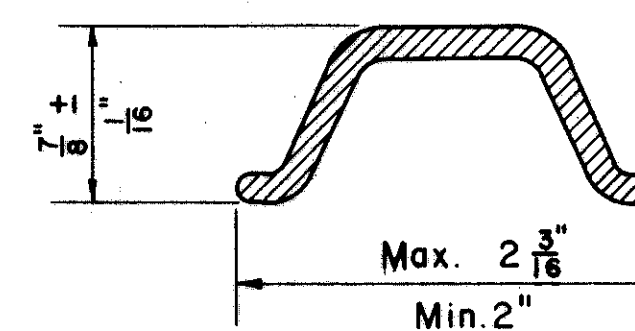
Note:
Monuments to be placed
by Contractor.

DETAIL OF CENTERLINE REFERENCE MONUMENTS

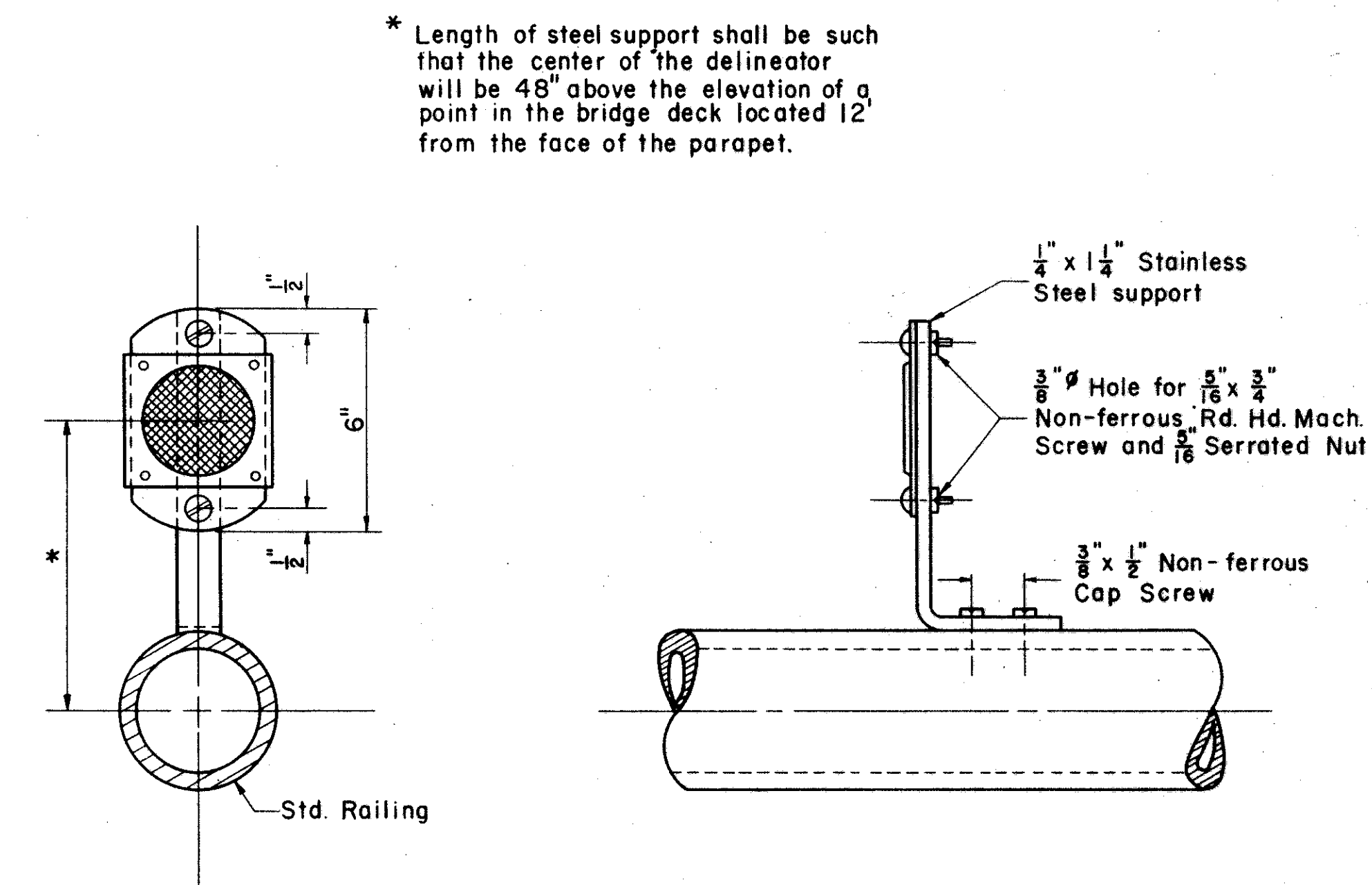


Note:
Holes to be punched
for a distance of 12"

Length of Post 7'-6" ± 1/4"
No. Holes 12 per Post
Weight 1.12 lbs. per foot



DETAIL OF STEEL DRIVE POST FOR DELINEATOR



DELINEATOR AND BRIDGE RAIL BRACKET