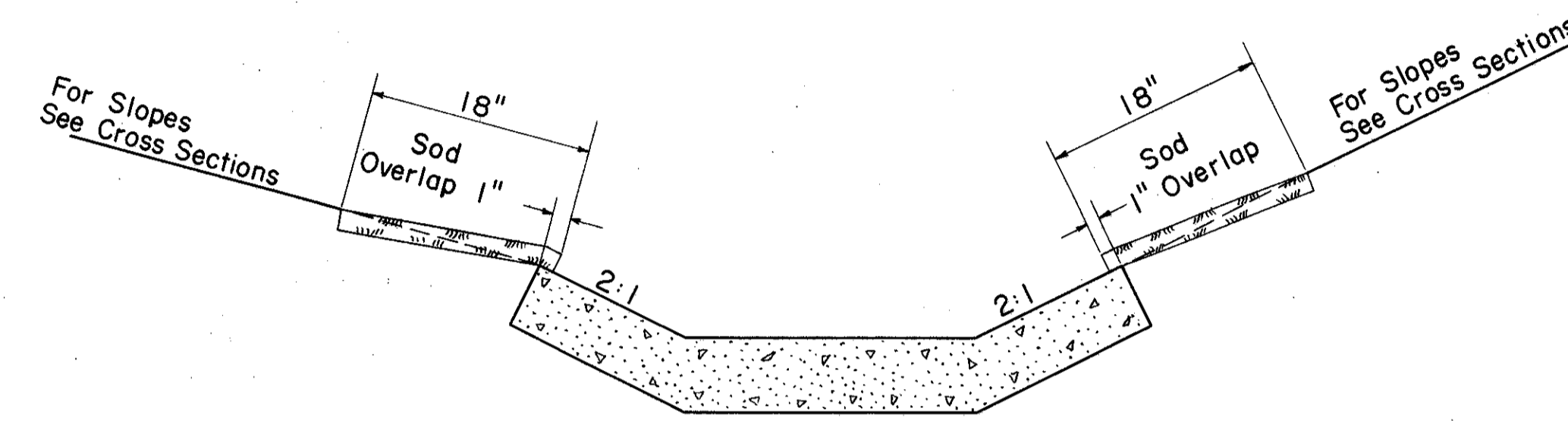
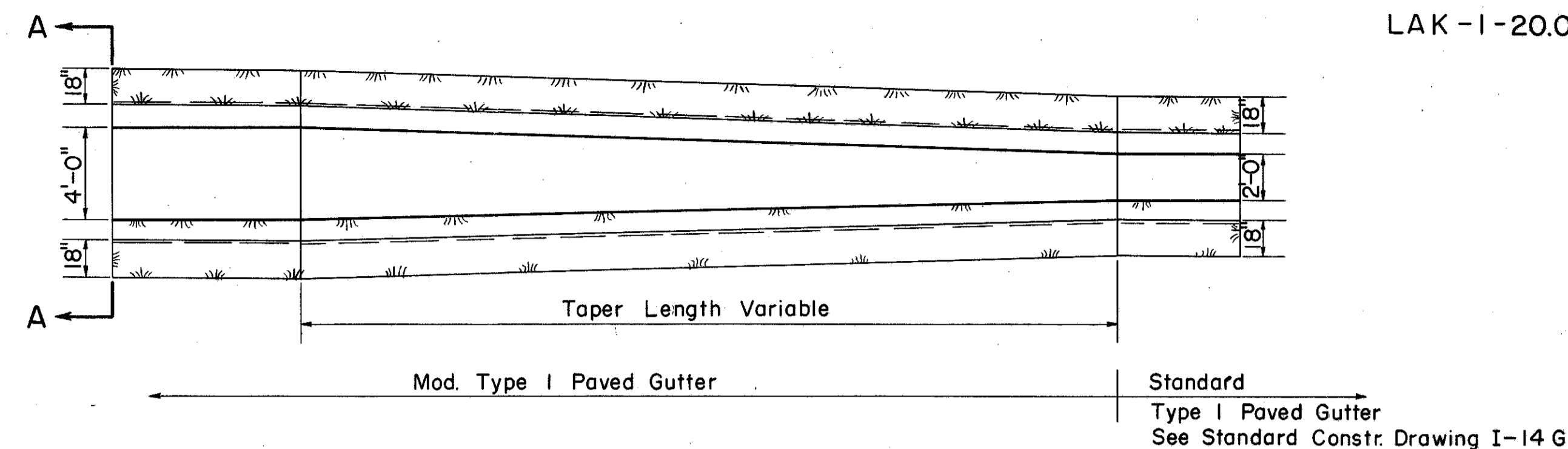
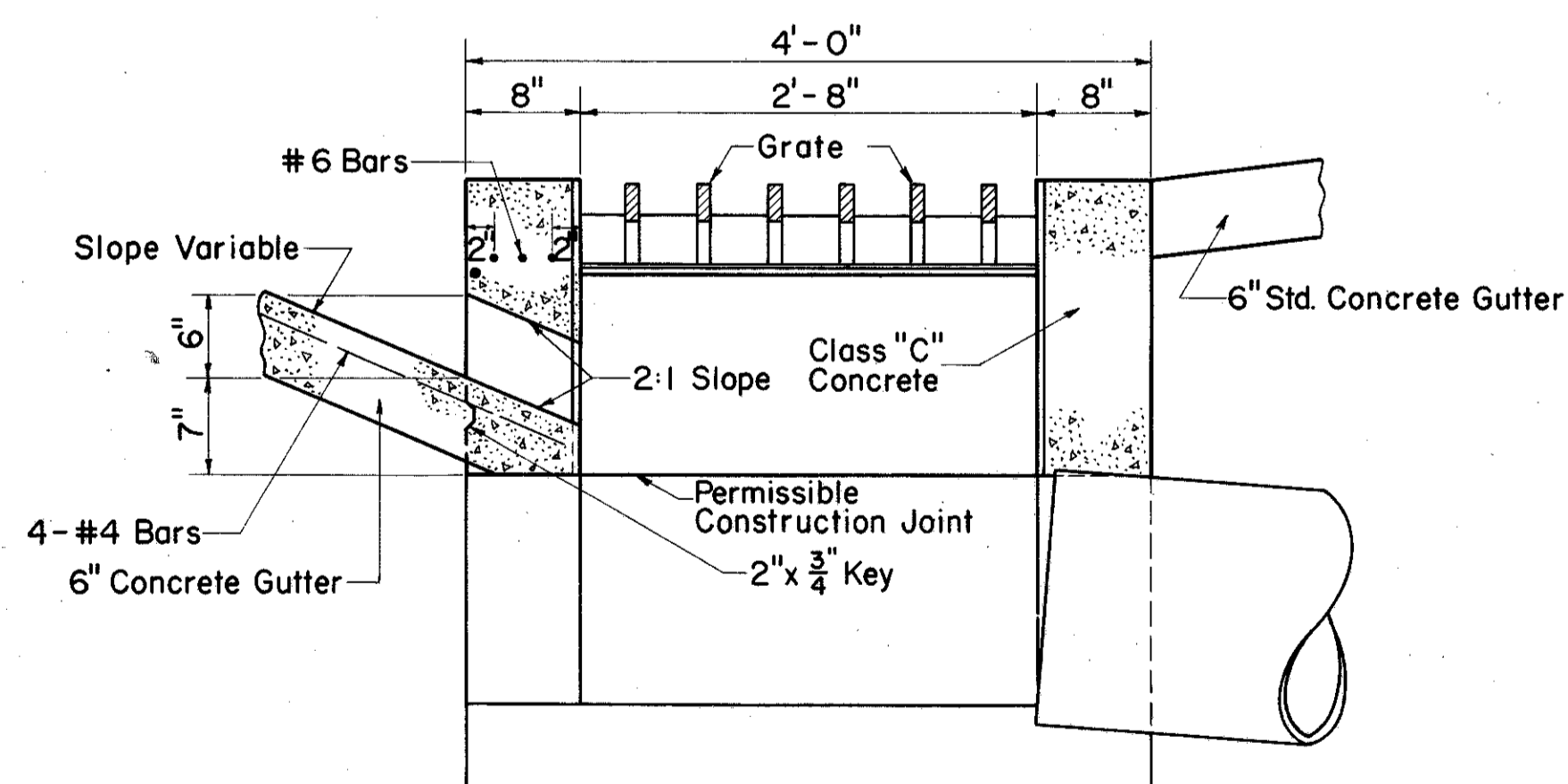


**PLAN**  
SCALE:  $\frac{3}{4}'' = 1'-0''$

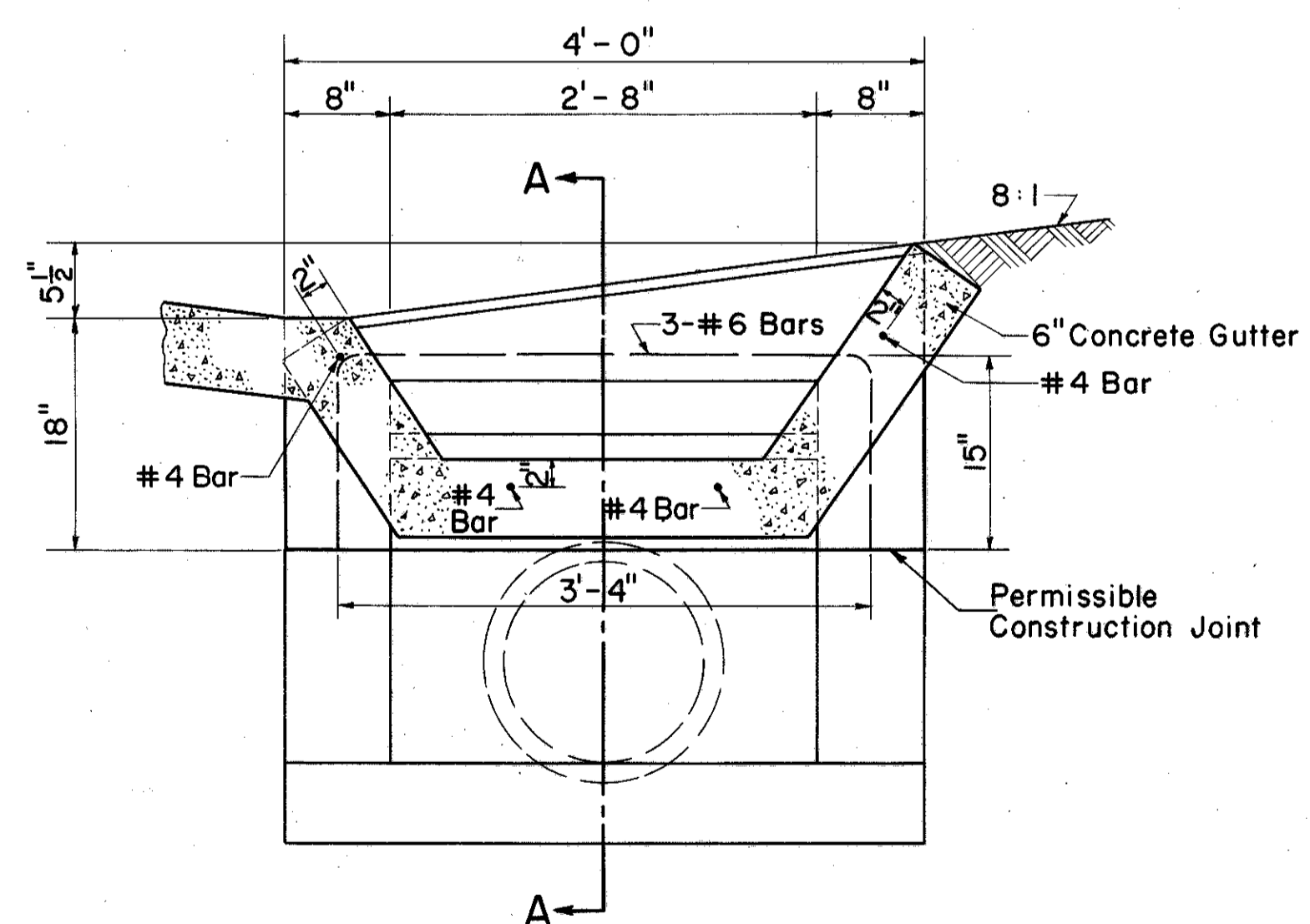
NOTE:  
Unless otherwise shown, Details and Notes shall conform to STANDARD DRAWING NO. I-8 C.B. No. 5.



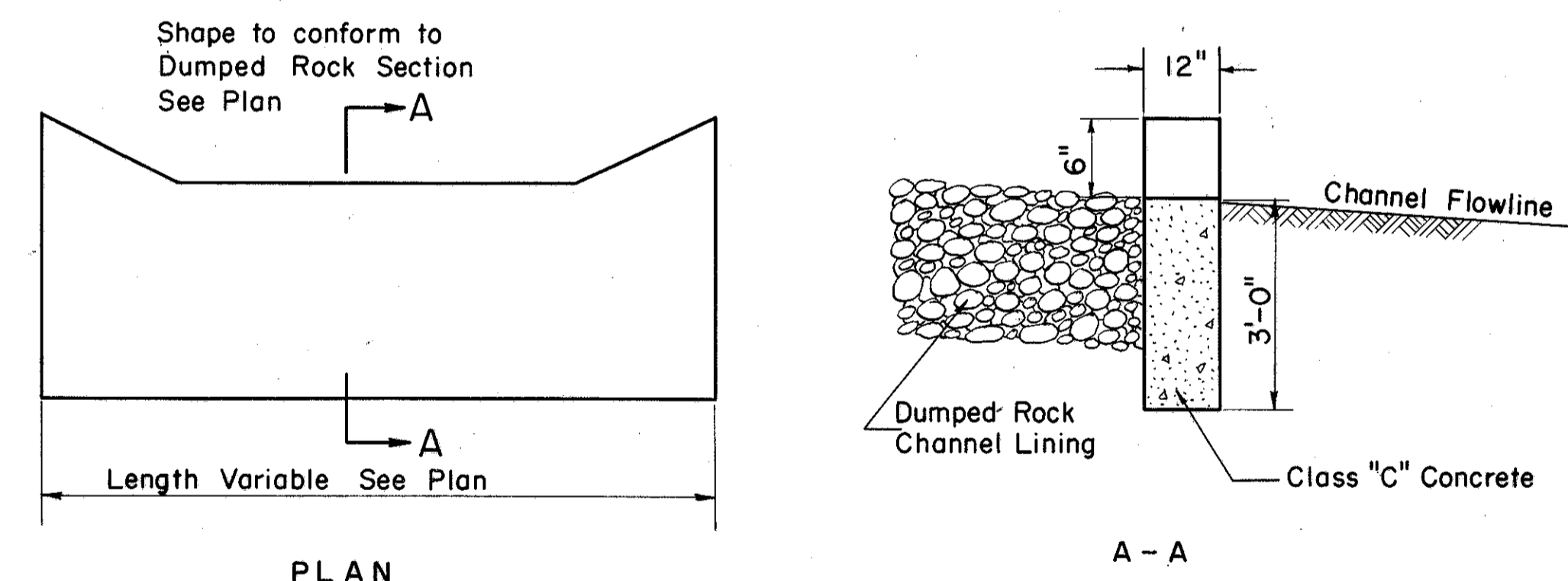
**DETAIL OF 18" SOD STRIP ALONG PAVED GUTTER**



**SECTION A-A**  
SCALE: 1" = 1'-0"



**SECTION B-B**  
SCALE: 1" = 1'-0"



**DETAIL CONCRETE END SILL**  
NOT TO SCALE

MODIFIED STANDARD NO. 5 CATCH BASIN  
WITH MODIFIED TYPE I PAVED GUTTER

DRAINAGE DETAILS