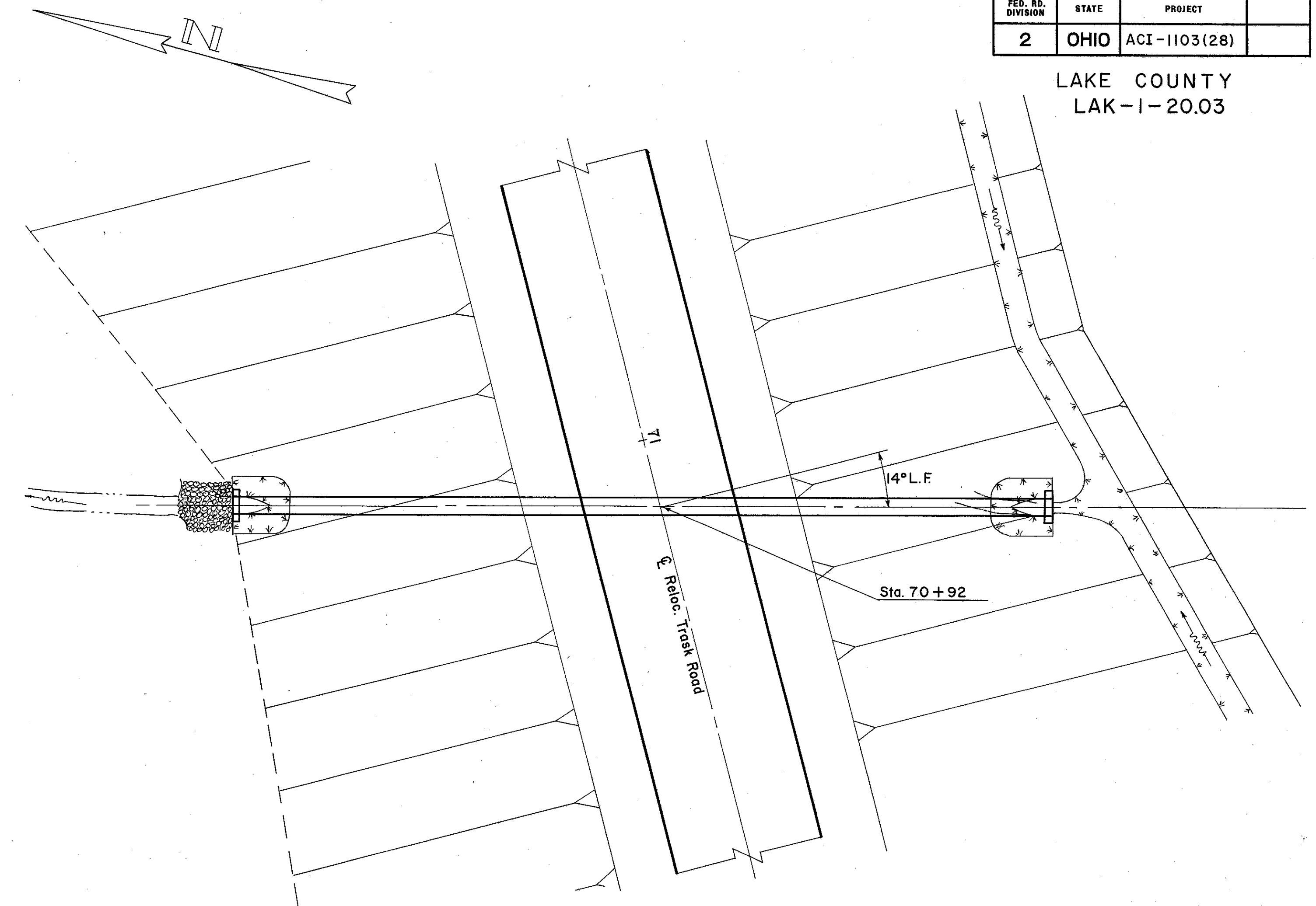
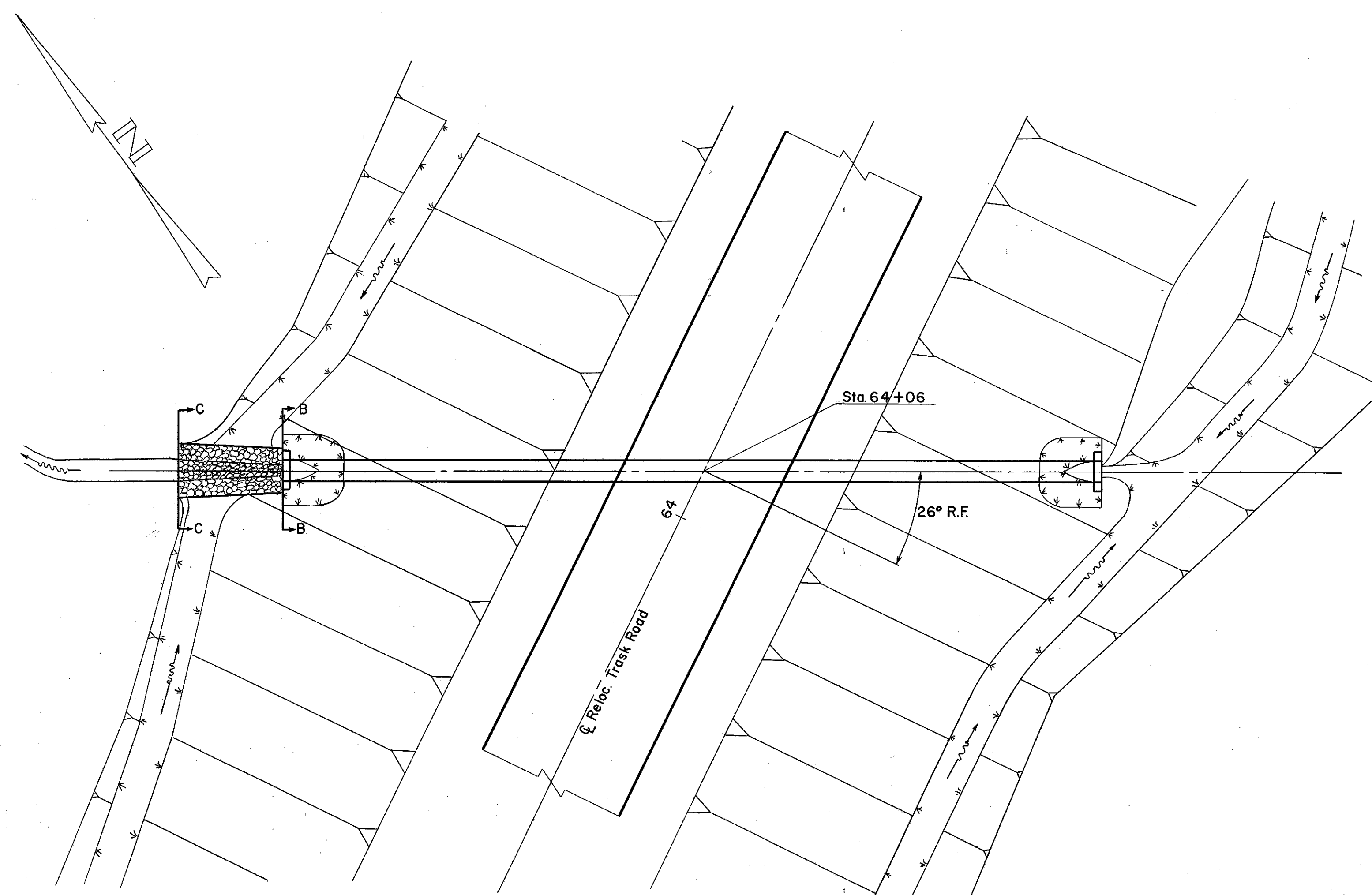


LAKE COUNTY  
LAK-1-20.03



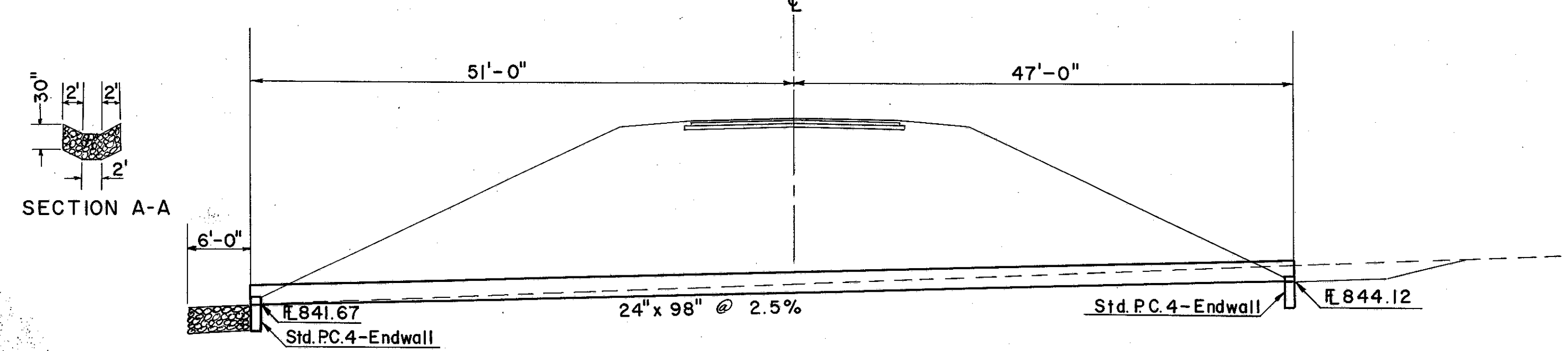
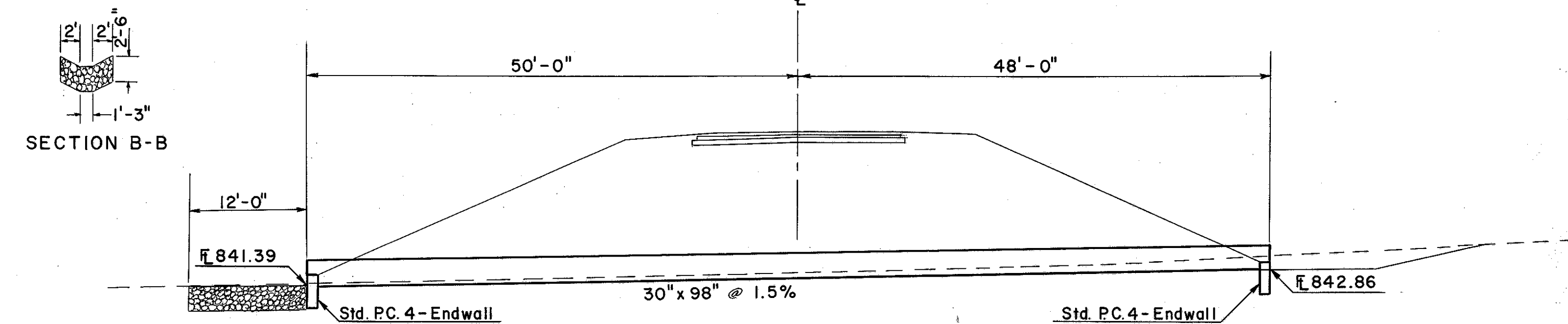
HEADWATER = 3.62 FT.  
OUTLET VELOCITY = 9.7 FPS.

Scale: 1" = 10'

AREA = 15 ACRES  
Q<sub>25</sub> = 33 C.F.S.

n = .013    n = .019  
HEADWATER = 3.16 FT.    4.20 FT.  
OUTLET VELOCITY 11.5 FPS.    9.0 FPS.

AREA = 10 ACRES  
Q<sub>25</sub> = 24 C.F.S.



**ESTIMATED QUANTITIES**

E-2	Structure Excavation	22.6 C.Y.
L-10	Sodding	10 S.Y.
S-1	Conc. for Structures Class "E"	1.02 C.Y.
S-27	30" Pipe for Roadway Culverts	98 L.F.
E-3	Channel Excavation	6 C.Y.
I-10	Dumped Rock	6.5 C.Y.

**CULVERT DATA**

TYPE: Pipe Culvert with PC. 4, S-27, M-66(b) or M-6.8(b)  
SIZE: 30" x 98"  
WORK REQ'D.: Build a Pipe Culvert with PC.4 Endwalls, with dumped rock Lt., Sodding Lt. and Rt. as shown.

**ESTIMATED QUANTITIES**

E-2	Structure Excavation	20.0 C.Y.
L-10	Sodding	8 S.Y.
S-1	Conc. for Structures Class "E"	0.82 C.Y.
S-27	24" Pipe for Roadway Culverts	98 L.F.
I-10	Dumped Rock	3.3 C.Y.
E-3	Channel Excavation	2.6 C.Y.

**CULVERT DATA**

TYPE: Pipe Culvert, PC. 4 and S-27  
SIZE: 24" x 98"  
WORK REQ'D.: Build a Pipe Culvert with PC. 4-Endwalls, with dumped rock Lt., Sodding Lt. and Rt. as shown.

