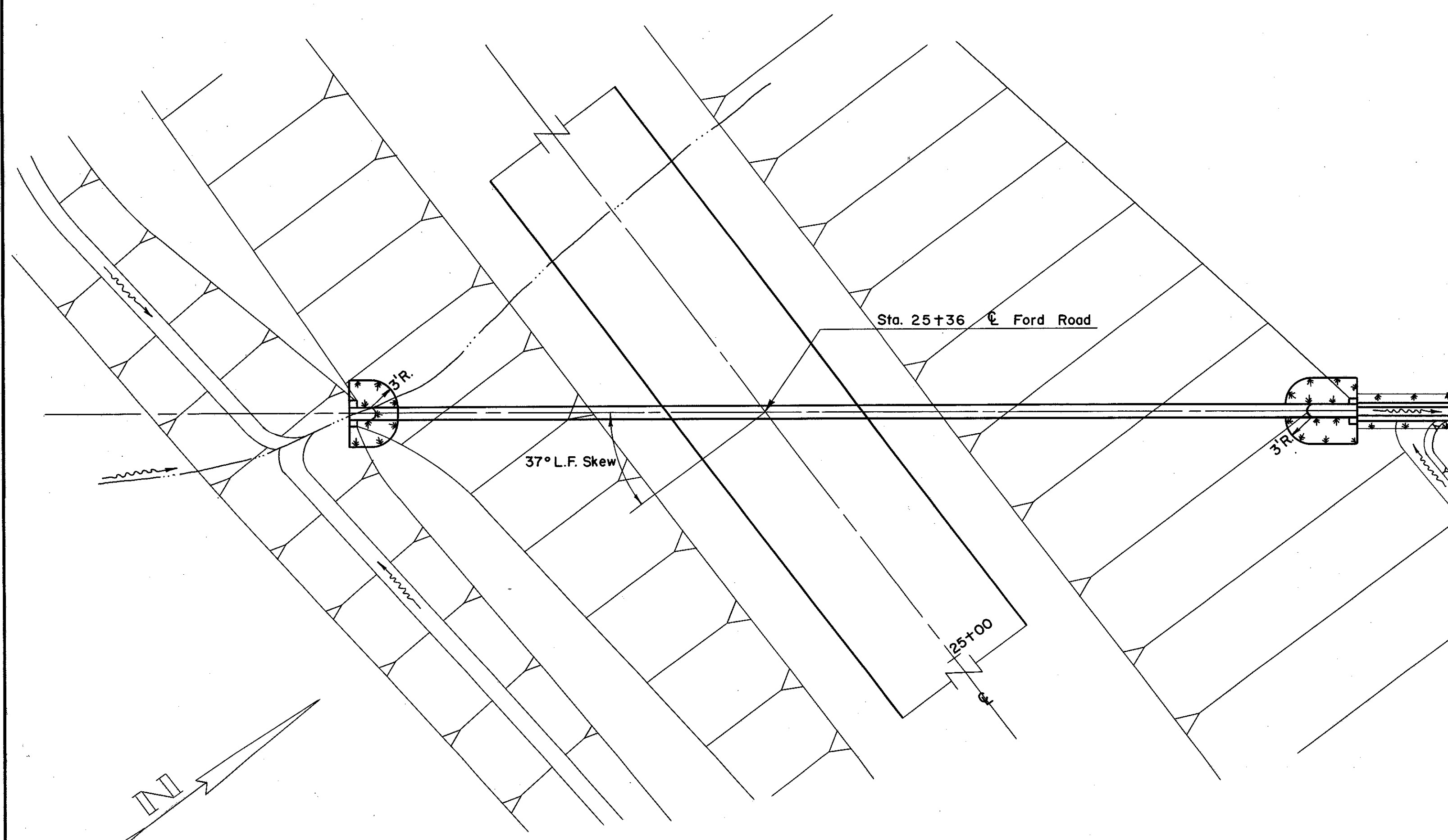


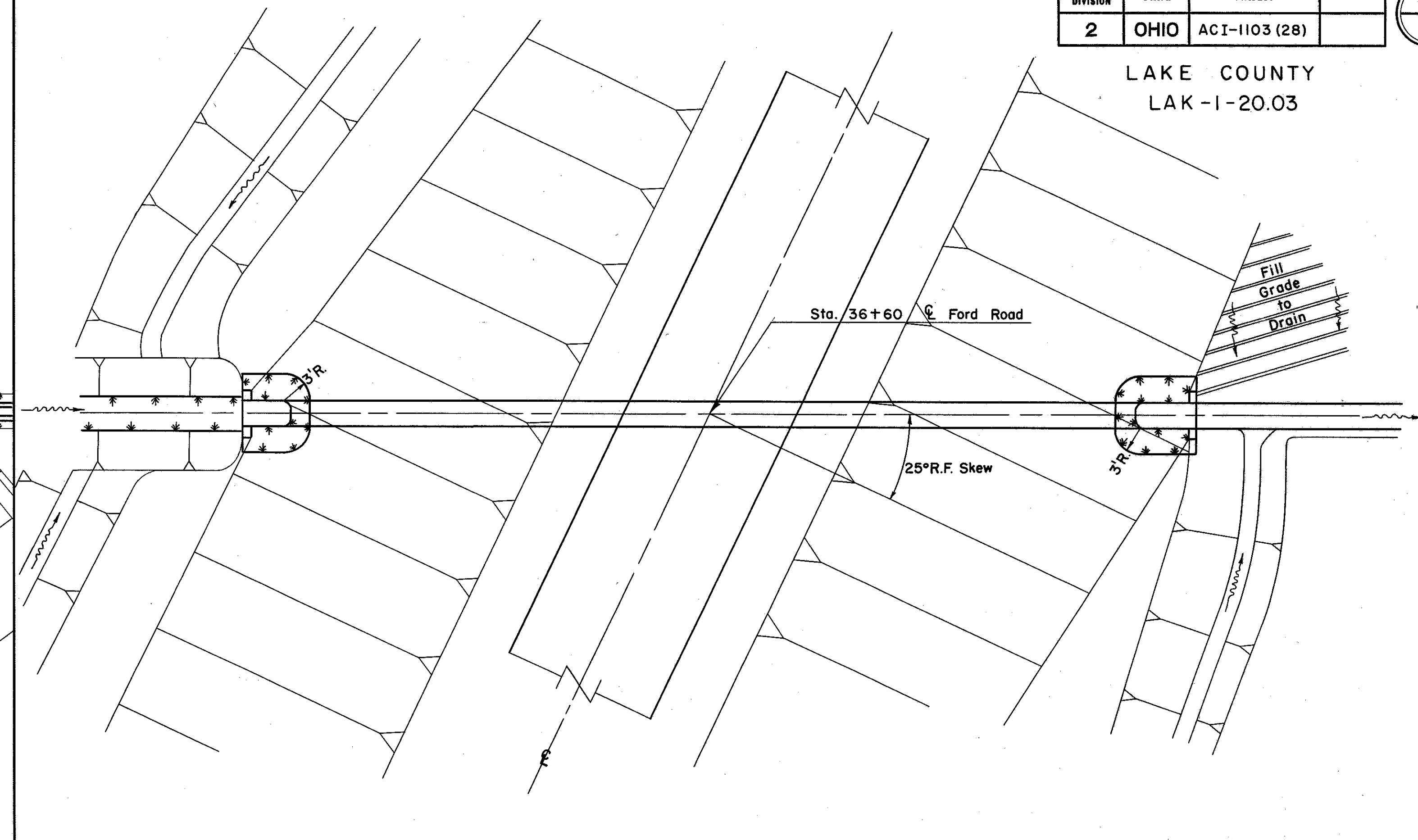
LAKE COUNTY  
LAK-I-20.03



SCALE: 1" = 10'

HEADWATER = 1.89 FT.  
OUTLET VELOCITY = 11.25 F.P.S.

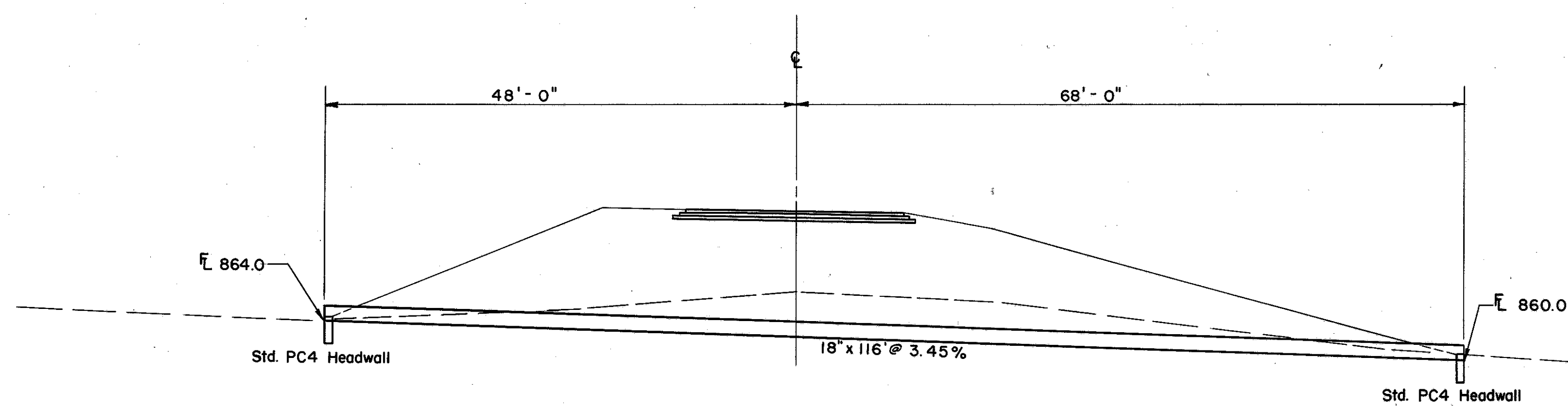
AREA = 4 AC.  
Q<sub>25</sub> = 8.7 C.F.S.



SCALE: 1" = 10'

HEADWATER =	n = .013	n = .019
	2.85 FT.	3.3 FT.
OUTLET VELOCITY =	9.2 F.P.S.	7.2 F.P.S.

AREA = 25 AC.  
Q<sub>25</sub> = 36 C.F.S.

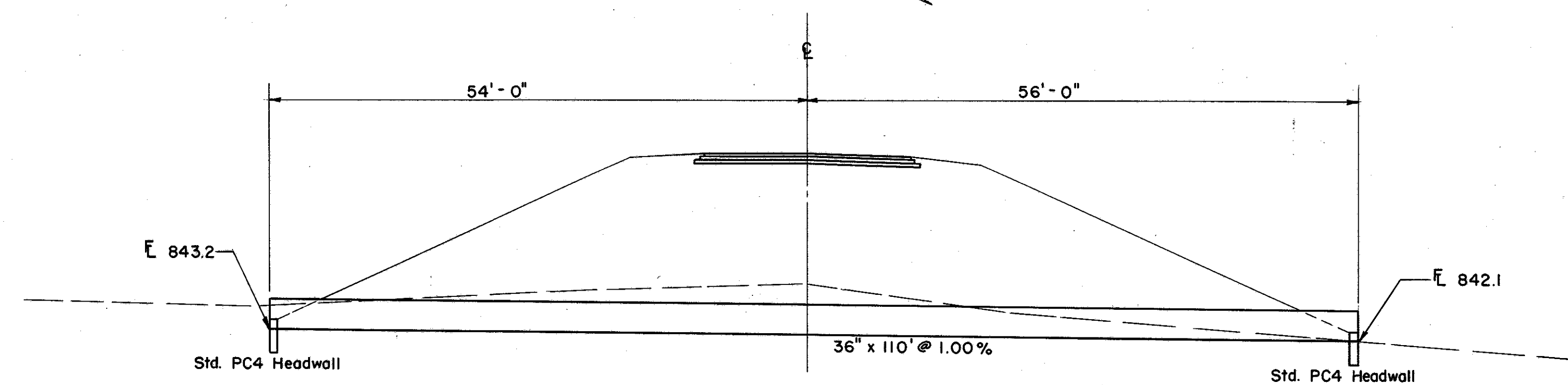


ESTIMATED QUANTITIES

E-2 Structure Excavation	34.2 C.Y.
E-3 Channel Excavation	0 C.Y.
L-10 Sodding	9.0 S.Y.
S-1 Concrete for Structures	0.6 C.Y.
S-27 18" Pipe for Roadway Culverts	116 L.F.

CULVERT DATA

TYPE: S-27 Pipe for Roadway Culverts  
 SIZE: 18" x 116"  
 WORK REQ'D.: Build a Pipe Culvert with PC4 Headwalls with Sodding Rt. & Lt.



ESTIMATED QUANTITIES

E-2 Structure Excavation	70.0 C.Y.
E-3 Channel Excavation	20.8 C.Y.
L-10 Sodding	11.3 S.Y.
S-1 Concrete for Structures	1.2 C.Y.
S-27 36" Pipe for Roadway Culverts	110 L.F.

CULVERT DATA

TYPE: S-27 Pipe for Roadway Culverts  
 SIZE: 36" x 110"  
 WORK REQ'D.: Build a Pipe Culvert with PC4 Headwalls with Sodding Rt. & Lt.