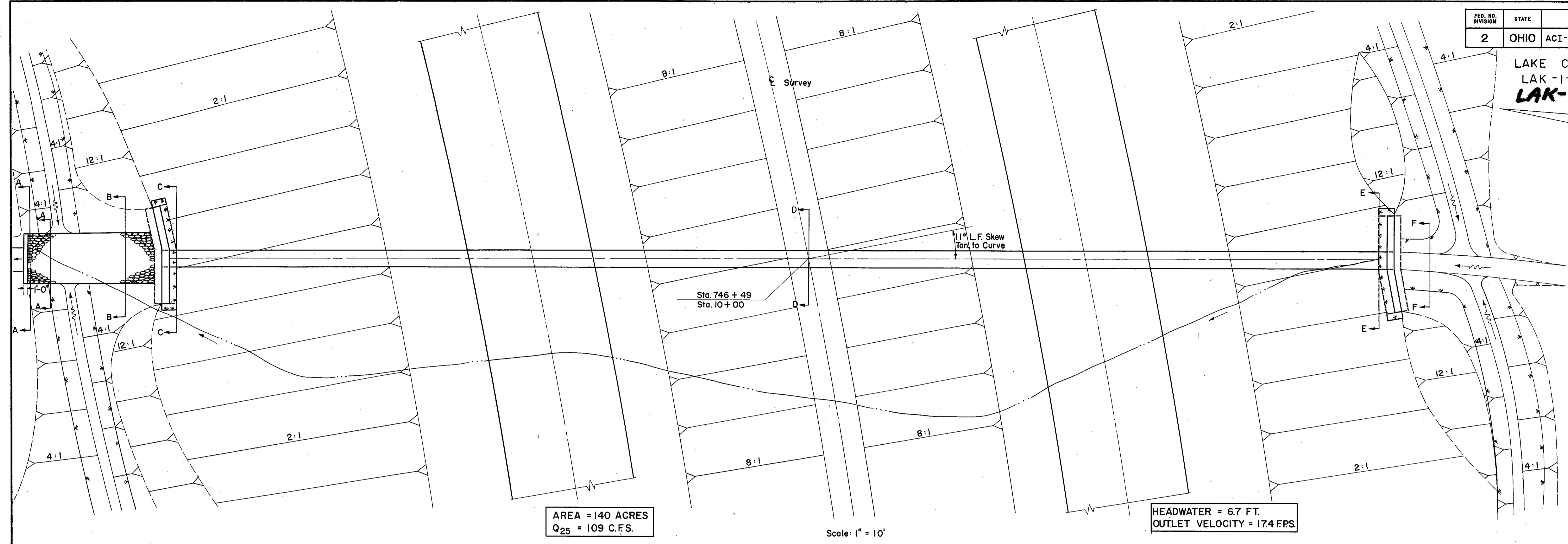


9-M

W-6

FED. RD. DIVISION	STATE	PROJECT	(172 211)
2	OHIO	ACI-1103 (28)	

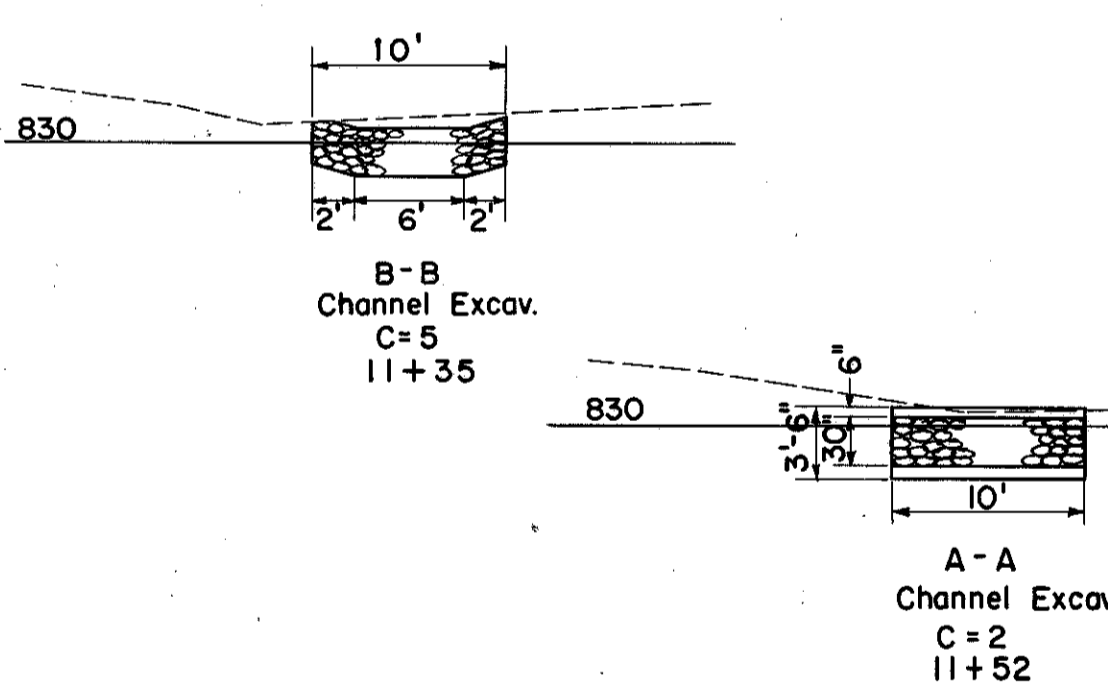
LAKE COUNTY
LAK - I - 20.03
LAK-90-21.15-23.55



AREA = 140 ACRES
Q₂₅ = 109 C.F.S.

HEADWATER = 6.7 FT.
OUTLET VELOCITY = 17.4 FPS.

Scale: 1" = 10'



C-C Culvert Excav. C=10 11+25

D-D Culvert Excav. C=20 10+00

E-E Culvert Excav. C=14 8+87

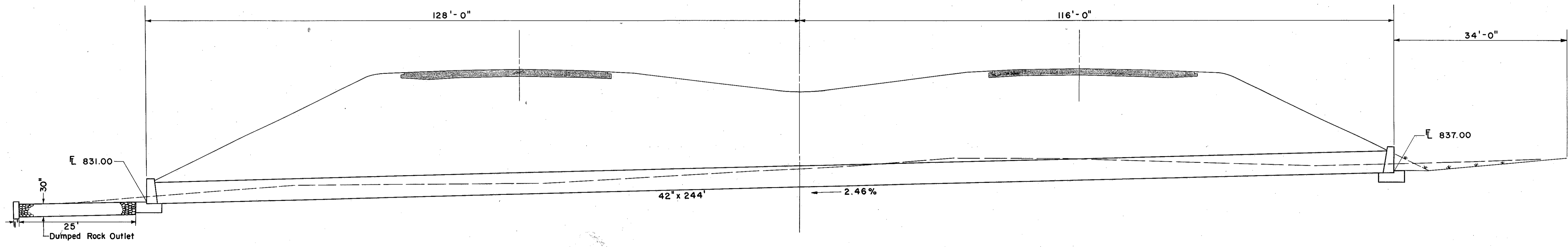
F-F Channel Excav. C=10 8+77

CULVERT DATA

TYPE: Pipe Culvert - Type B Headwalls
SIZE: 42" x 244"
WORK REQ'D: Build a Pipe Culvert with Type B Headwalls, Sodding on Rt. and Lt., Dumped Rock on Lt. as shown.

ESTIMATED QUANTITIES

E-2	Excavation for Structures	180	C.Y.
E-3	Excavation for Channel	7	C.Y.
I-10	Dumped Rock Channel Protection	24	C.Y.
L-10	Sodding	9	S.Y.
S-1	Concrete for Structure Class C	22.4	C.Y. (Incl. End Sill)
S-4	Reinforcing Steel	1080	Lbs.
S-27	42" Pipe for Roadway Culverts M-6.6(c)	244	L.F.



FOR DETAIL END SILL
SEE SHEET NO. 183

STRUCTURE NO. LAK-I-2009