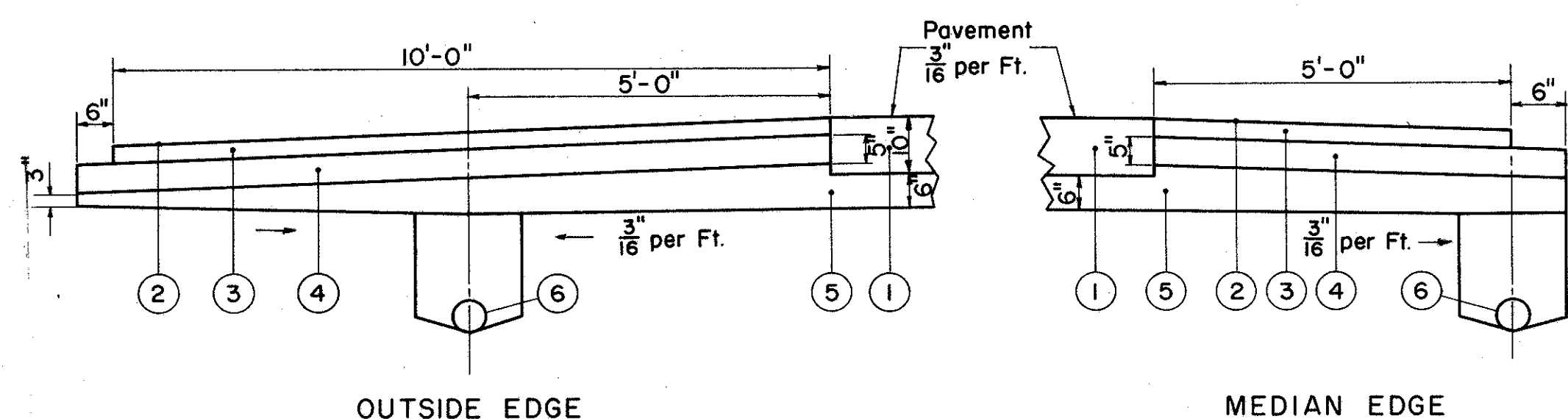
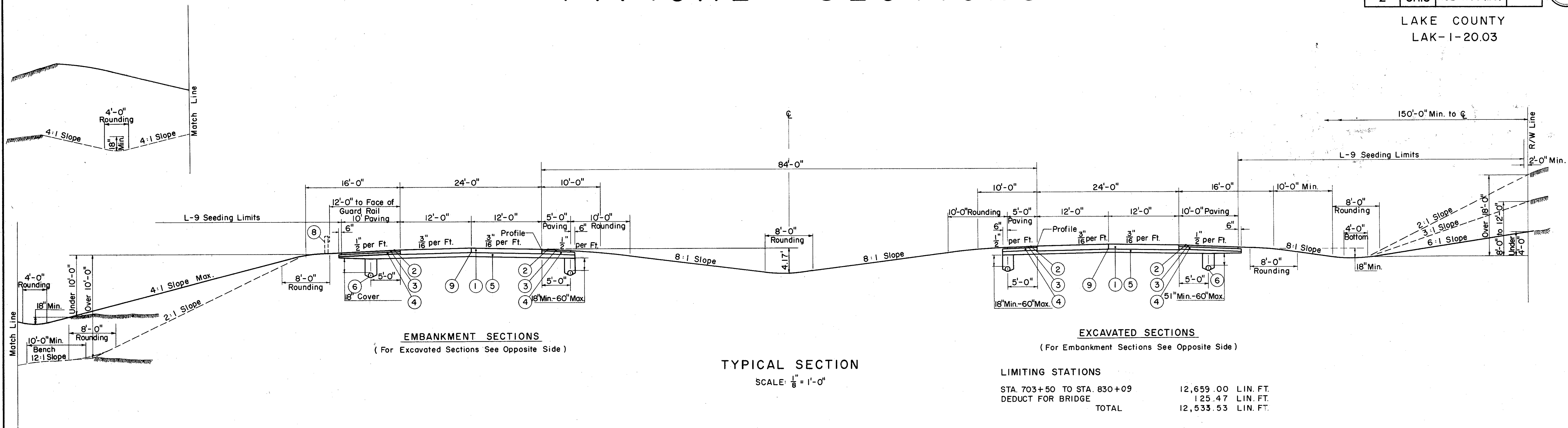


# TYPICAL SECTIONS

FED. RD. DIVISION	STATE	PROJECT	2 211
2	OHIO	ACI-1103 (28)	

LAKE COUNTY  
LAK-1-20.03



**PAVED SHOULDER DETAIL**

SCALE:  $\frac{1}{2}'' = 1'-0''$

### LEGEND

- ① T-71 10" Reinforced Portland Cement Concrete Pavement.
- ② T-31 Bituminous Surface Treatment, 2 Applications.
- ③ B-33 3" Bituminous Macadam Base Course.
- ④ I-18 5" Stabilized Crushed Aggregate Shoulders & Approaches.
- ⑤ I-22 Variable Depth Subbase.
- ⑥ I-4 6" Pipe Underdrain. \*Sec. M 6.4 (h) thru Rock Cut.
- ⑦ L-9 Seeding & Protecting Roadway Areas.
- ⑧ Standard Longitudinal Joint.