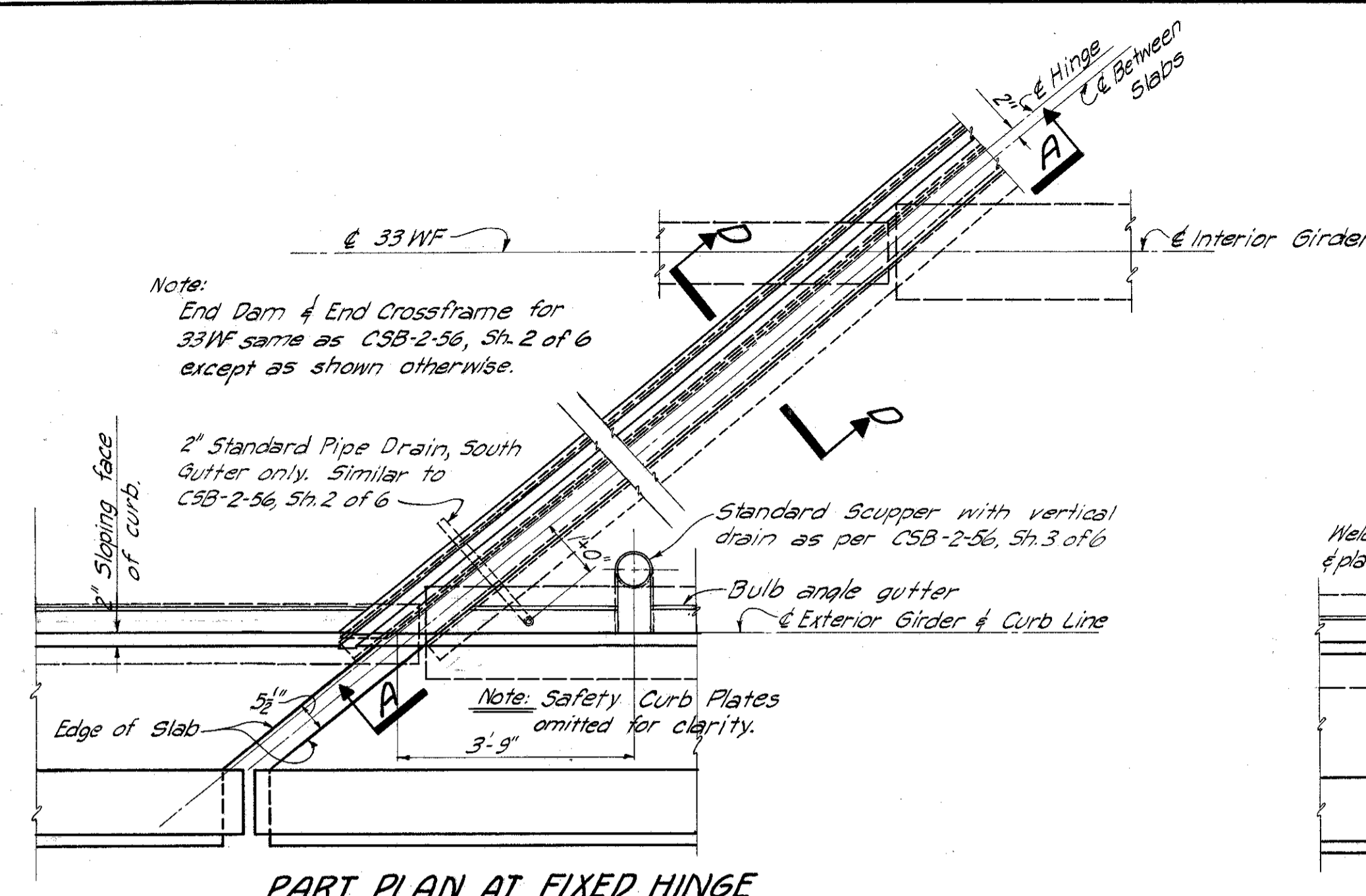


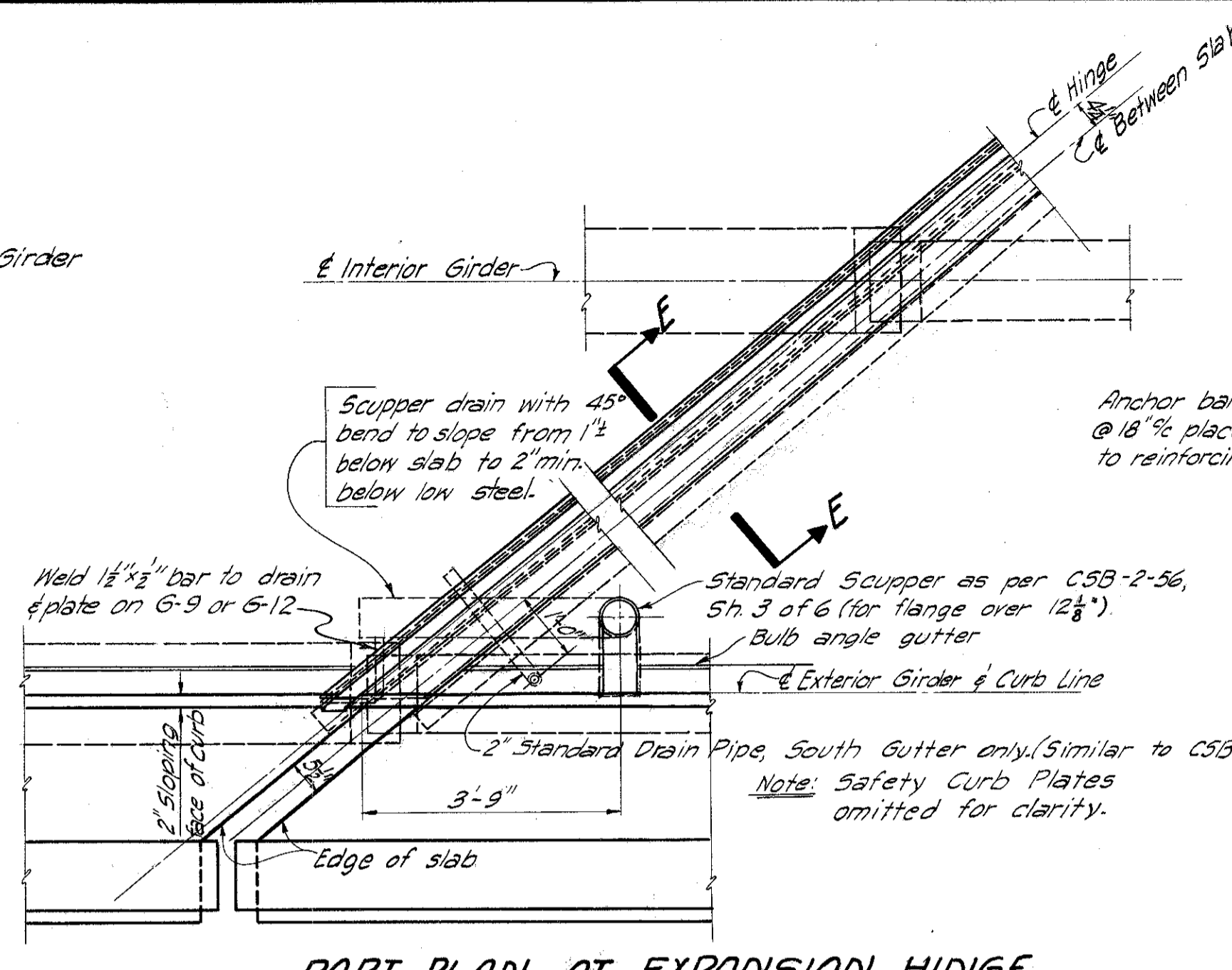
FED. RD. DIVISION	STATE	PROJECT	TYPE FUNDS
2	OHIO	I-1103 (19)	

LAKE COUNTY  
LAK.-I-2.16

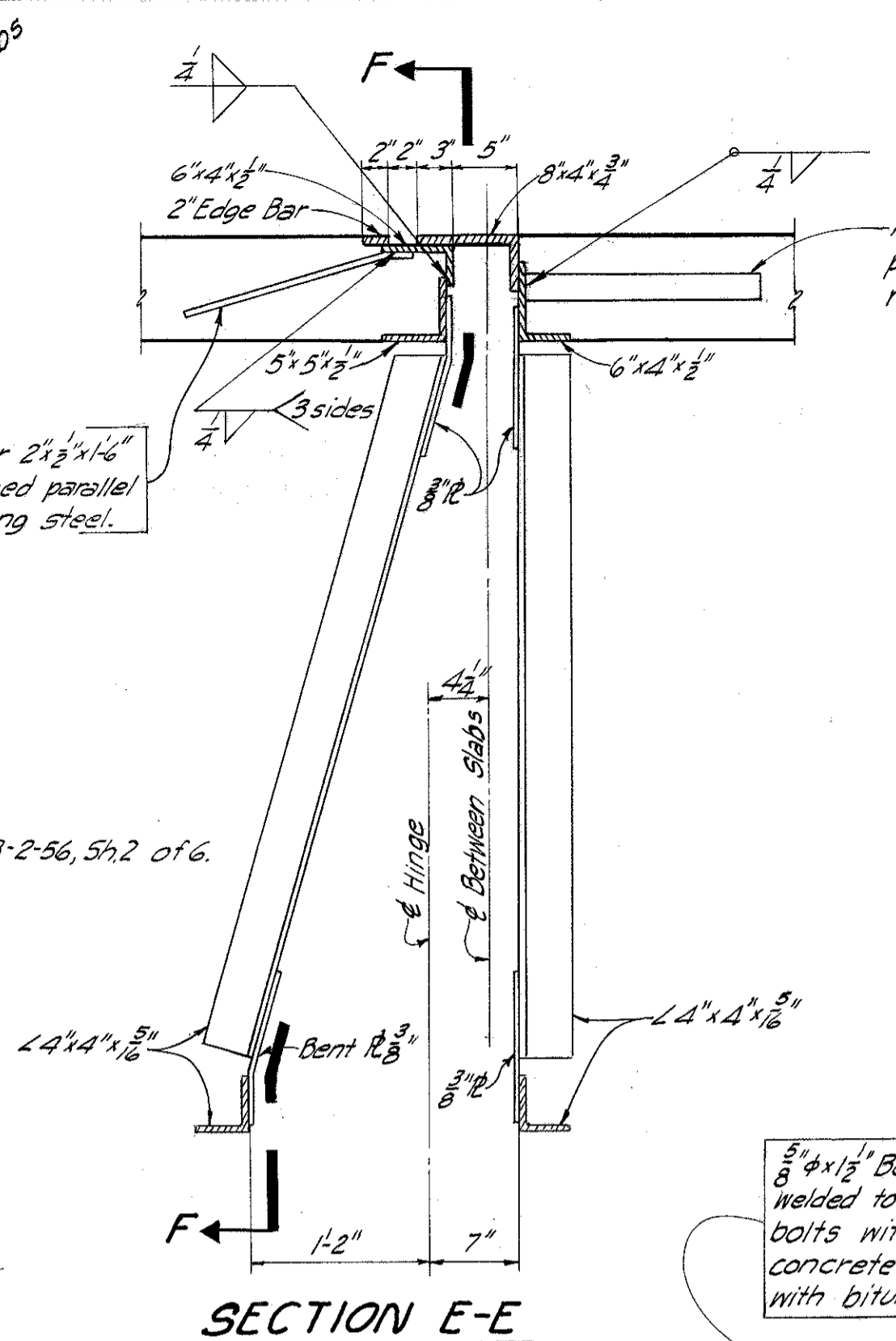
295  
312



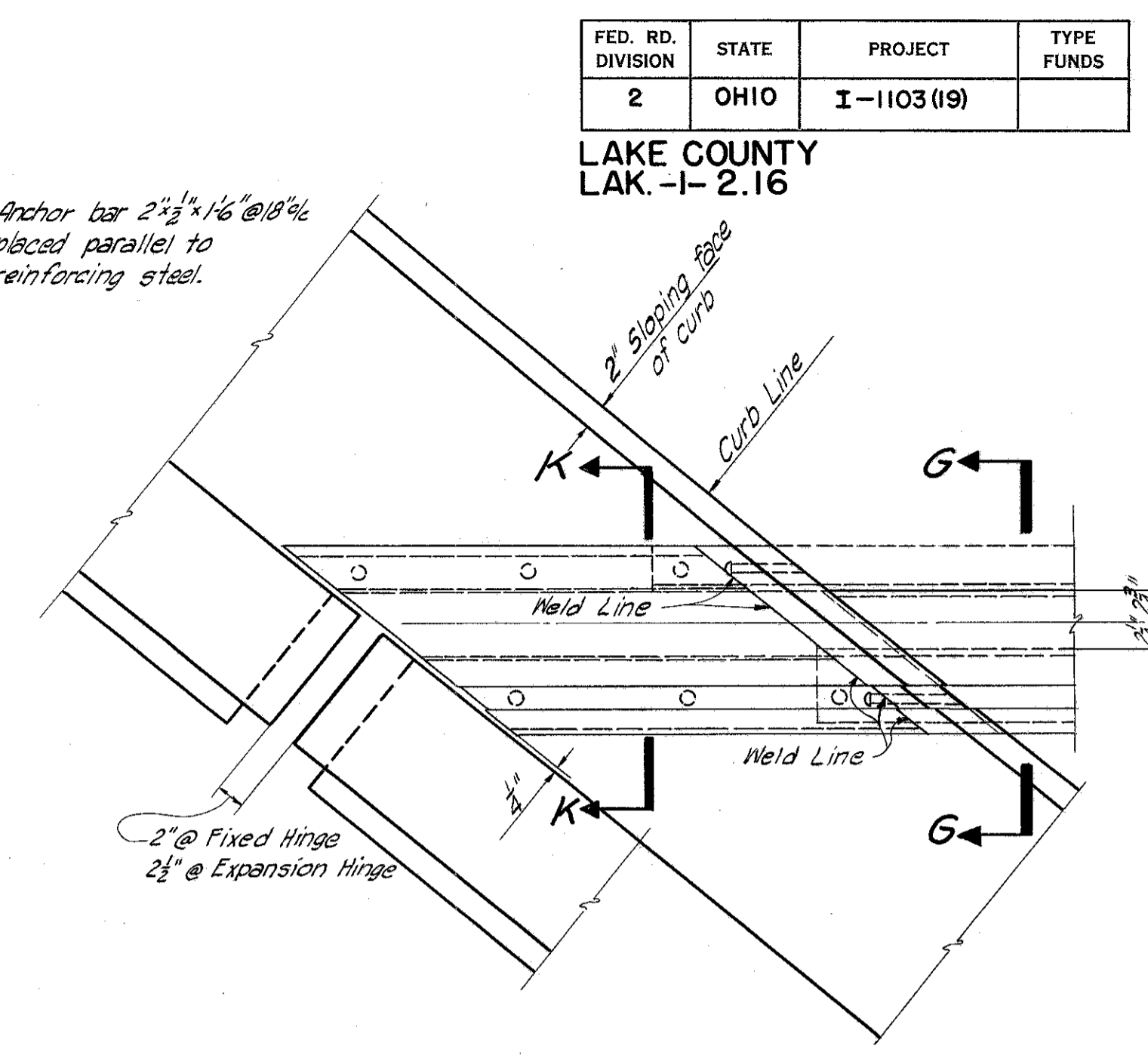
PART PLAN AT FIXED HINGE



PART PLAN AT EXPANSION HINGE

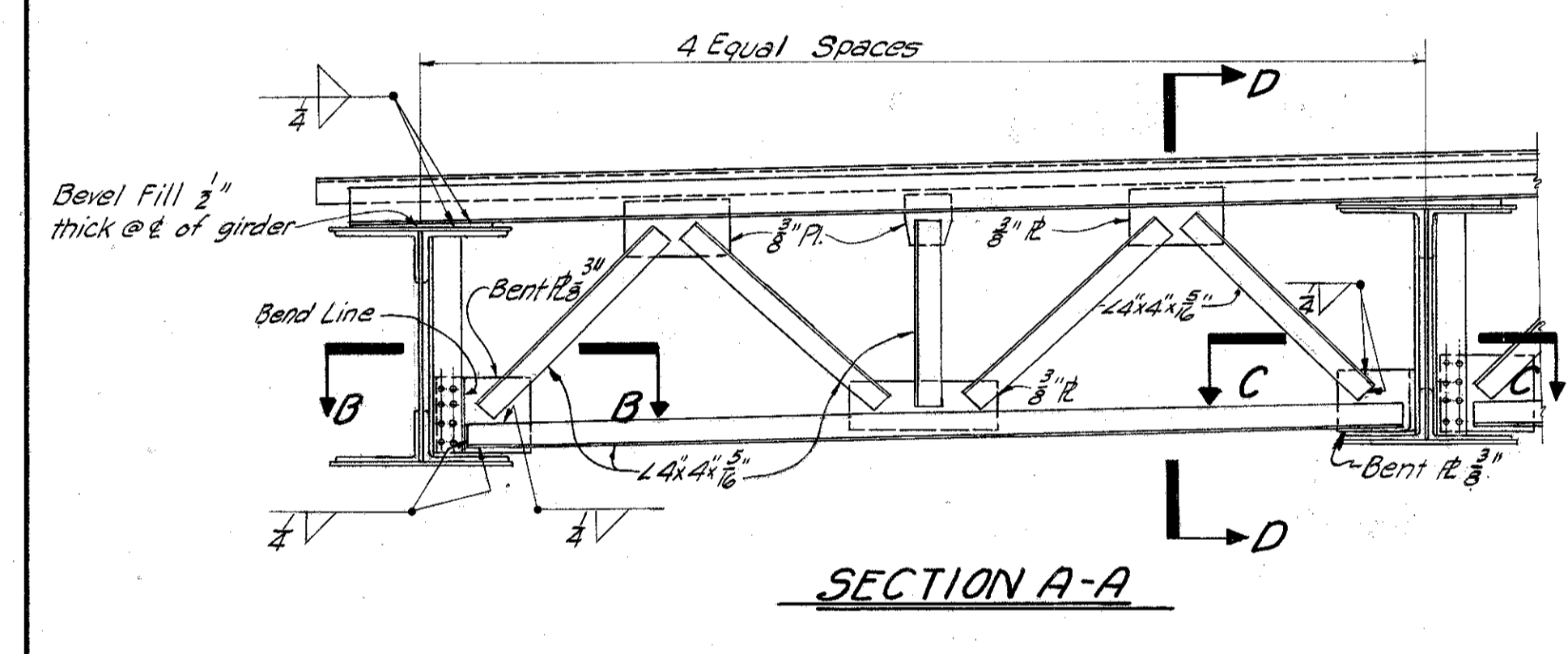


SECTION E-E

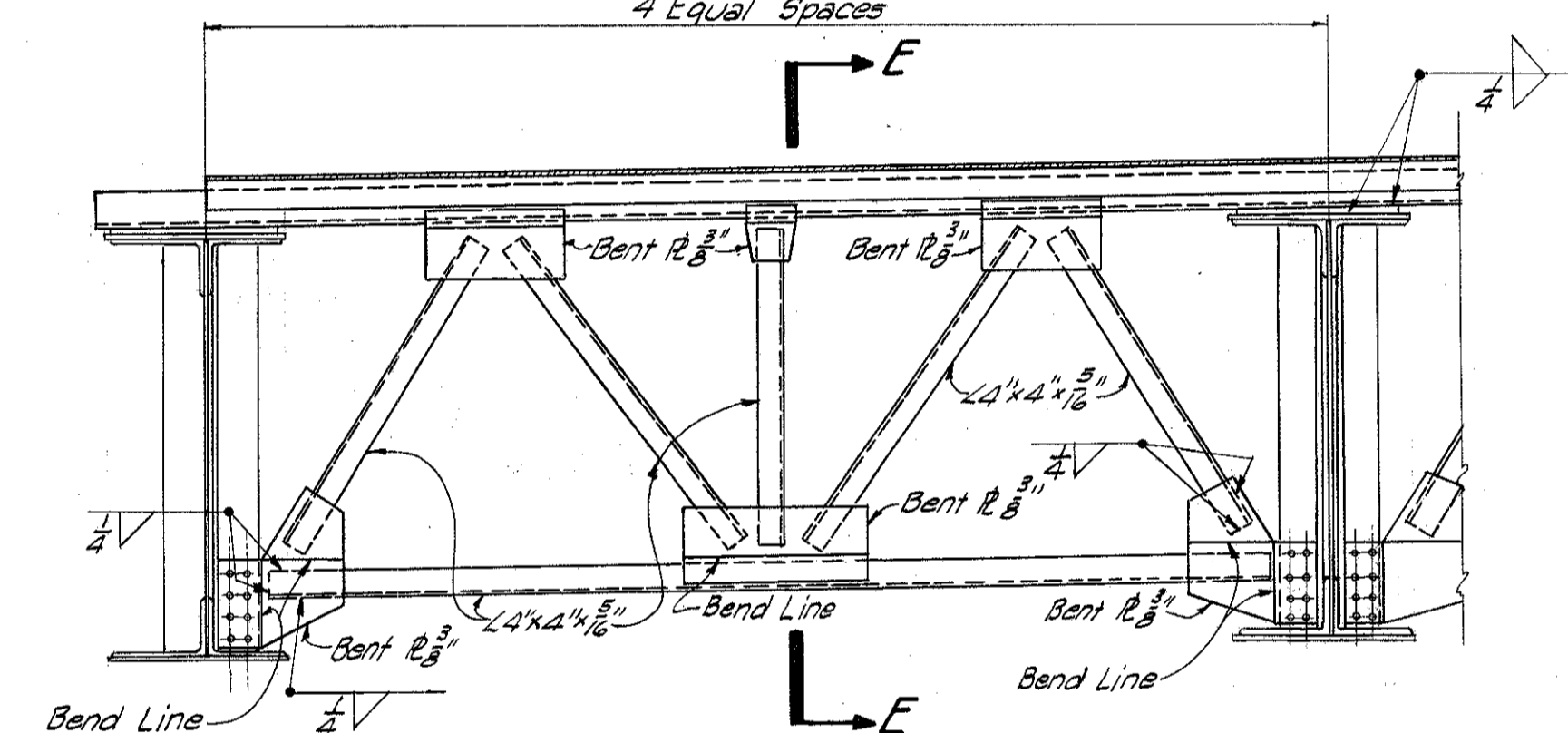


PART PLAN SAFETY CURB PLATES

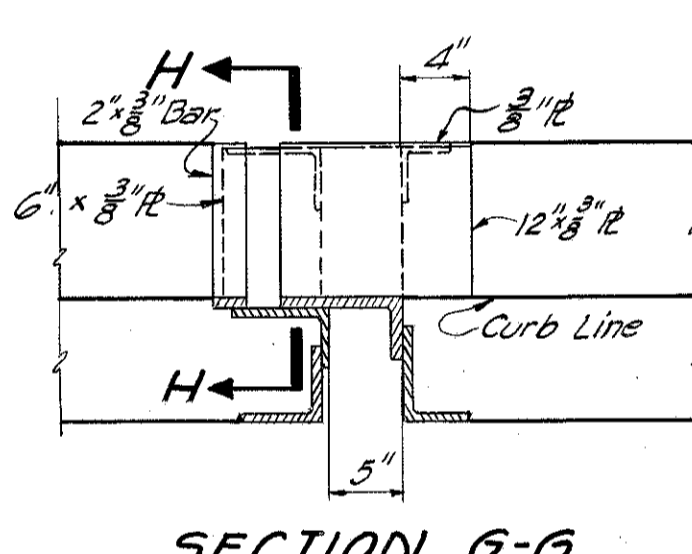
Expansion Hinge Shown; Fixed Hinge Similar



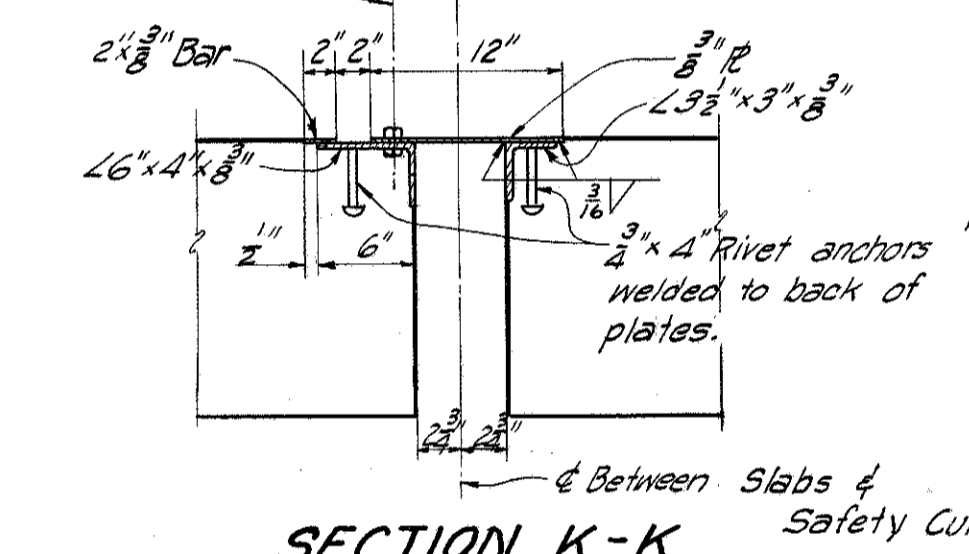
SECTION A-A



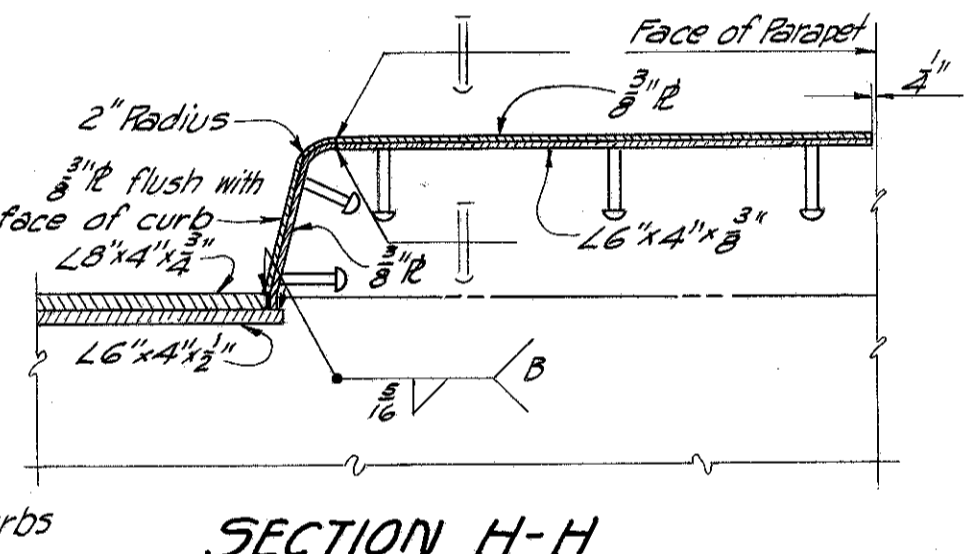
SECTION F-F



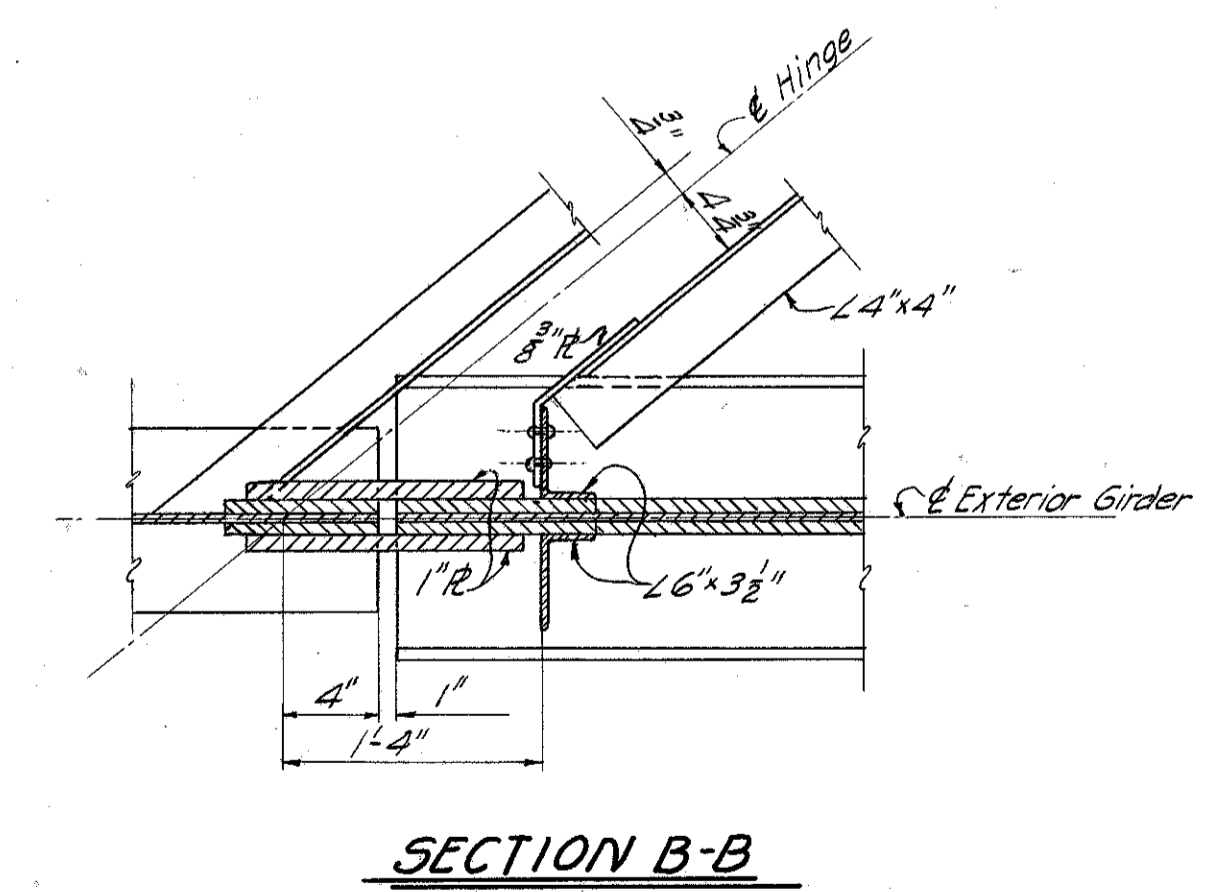
SECTION G-G



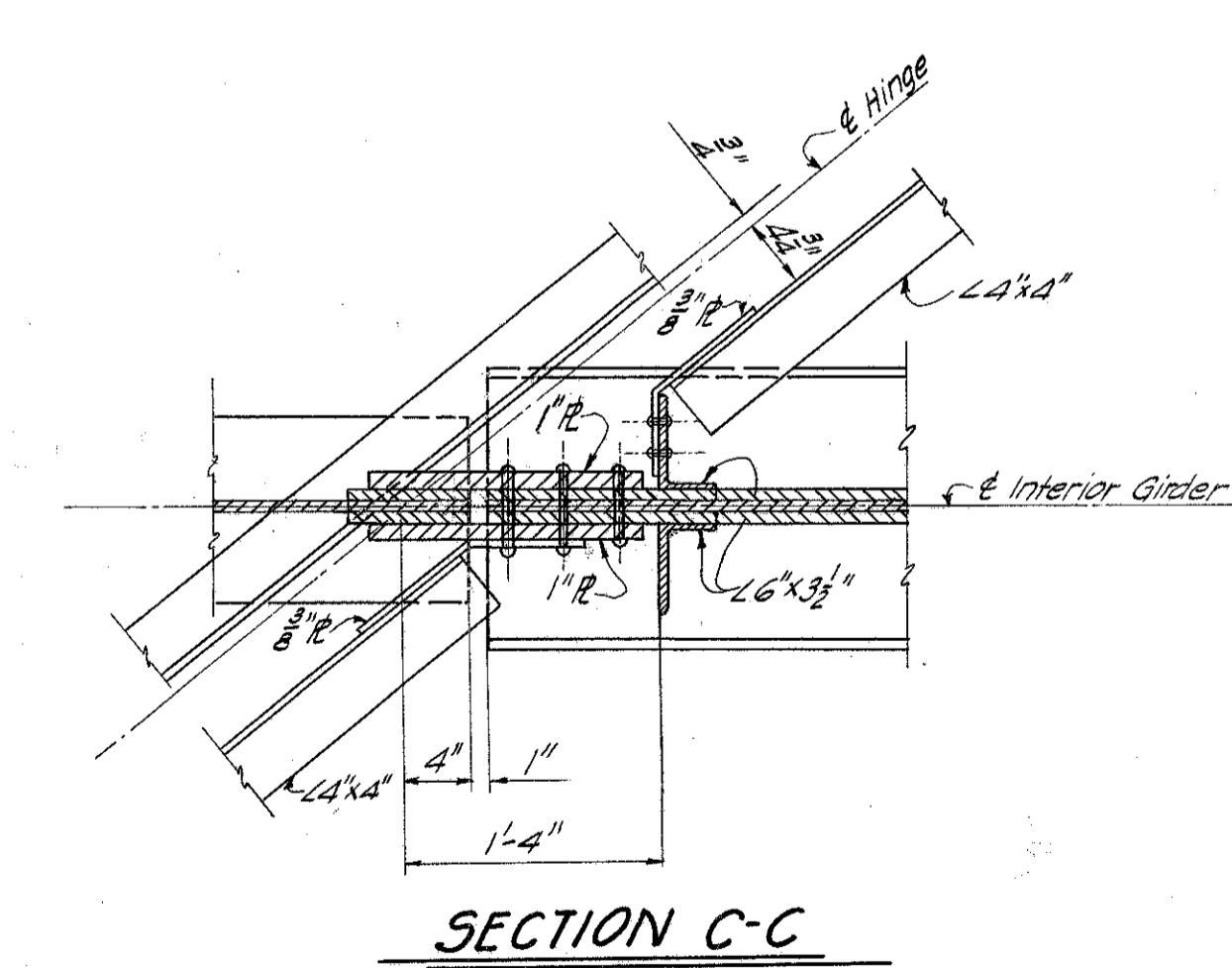
SECTION K-K



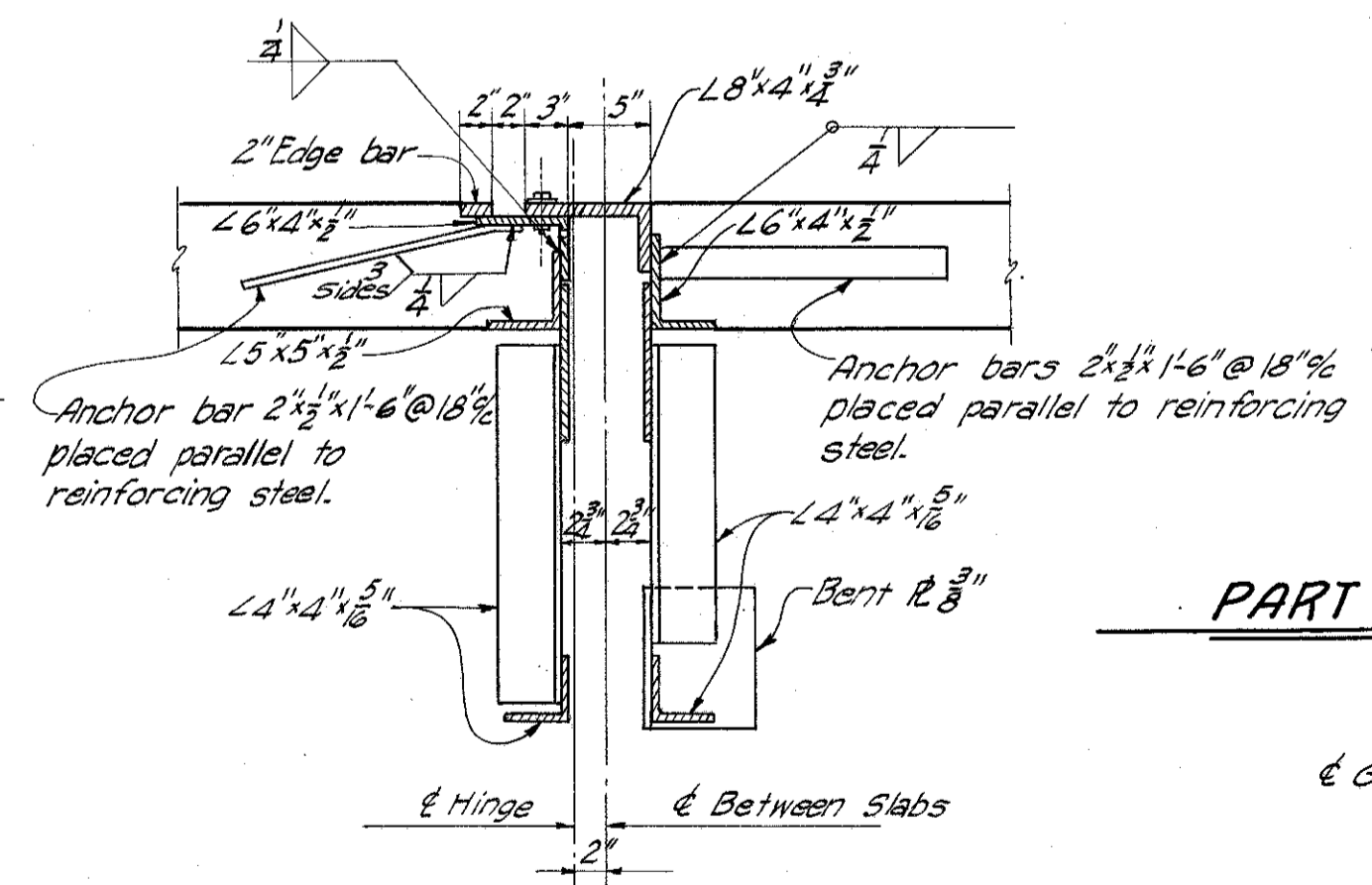
SECTION H-H



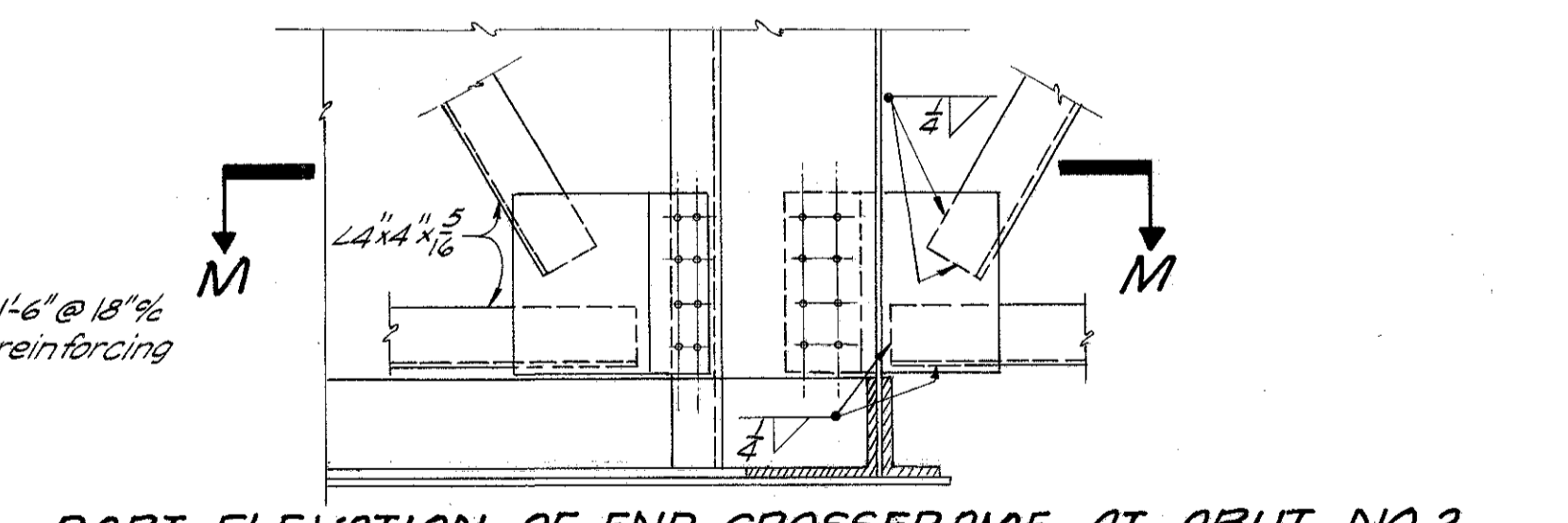
SECTION B-B



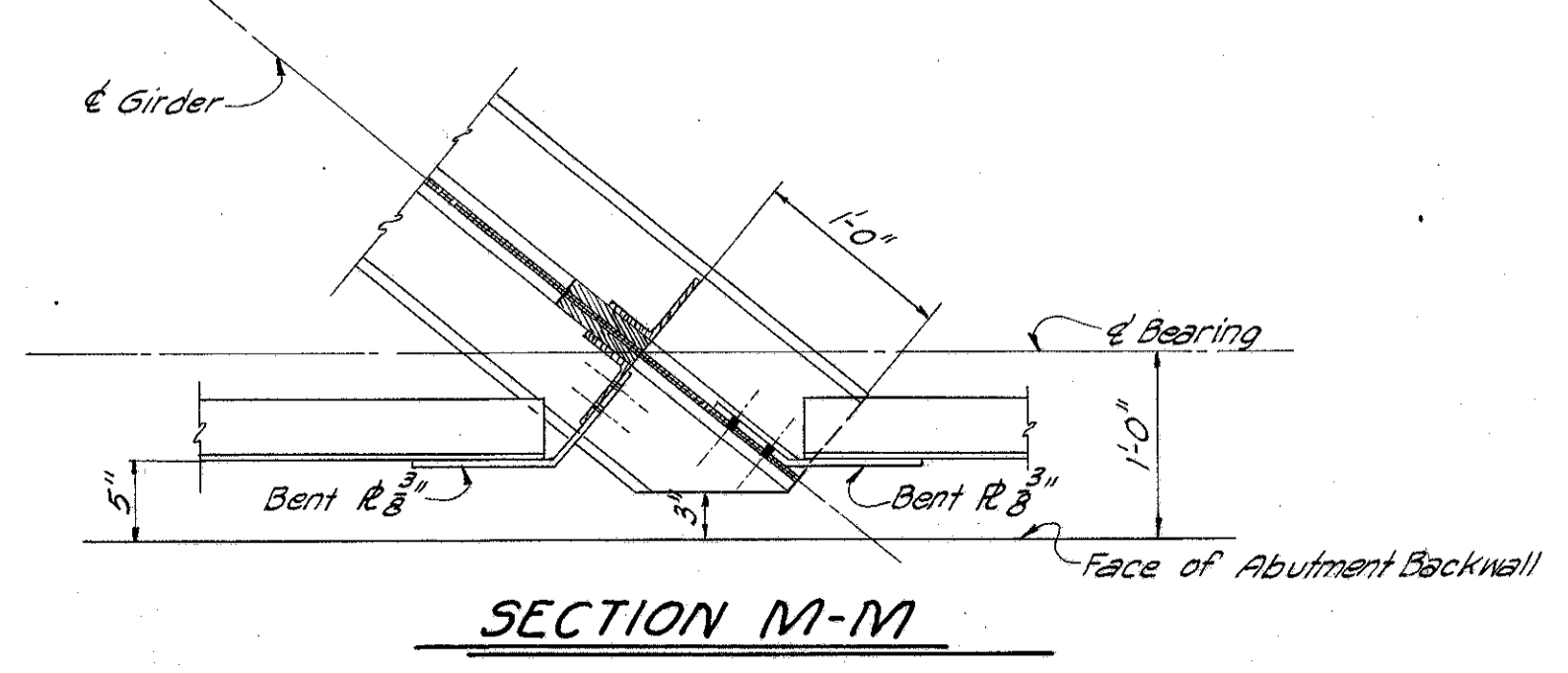
SECTION C-C



SECTION D-D



PART ELEVATION OF END CROSSFRAME AT ABUT. NO. 2



SECTION M-M

NOTES:  
For notes and details not shown, see CSB-2-56, Sh. 2 of 6, Section B-B (c=12'-0" to 16'-0") and Section C-C.

MICHAEL BAKER JR., CONSULTING ENGINEERS ROCHESTER, PENNSYLVANIA					
<b>END DAM &amp; CURB DETAILS</b>					
BRIDGE NO. LAK - I - 0276					
UNDER MAPLE GROVE ROAD					
LAKE COUNTY			STA. 145 + 98.94		
Designed	Drawn	Traced	Checked	Reviewed-Date	Revised
P.C.K.	Y.G.	M.S.	H.C.M.	H.G.H. 8-22-58	